



1200 R
Model Year 2019

MONSTER

Chassis prefix:
Cylinder capacity: 1200

019000019 - 1
SPARE PARTS CATALOGUE
en-US



The present spare parts order exactly the right spare parts.

When ordering specify:

1. the part's code number followed by its description and quantity needed;
2. the motorcycle's serial number, stamped on the steering head.

Reference to right and left apply to the vehicle in terms of its direction of movement.

Spare parts drawings are general and do not represent the part.

The contents of this catalogue are general and can undergo changes without prior notice.

CHARACTERISTICS LEGENDA

CHARACTERISTIC CODE	CHARACTERISTIC DESCRIPTION	VALUE CODE	VALUE DESCRIPTION
CPT	PARTICOLAR CHARACTERISTICS	STD	MOTO STANDARD
DFR	DAFRA	N	NO
MOD	MODEL	M 1200R	Monster 1200 R
PLT	PLANT	DB10	DMH
XCO	MAIN COLOUR	SR	SPECIAL RED
XCR	FRAME / WHEEL COLOUR	R-CR	RED FRAME,WITH CHROME WHEELS
XST	STANDARD COUNTRY	AUS	VERSIONE AUSTRALIA
XST	STANDARD COUNTRY	BLG	VERSIONE BELGIO
XST	STANDARD COUNTRY	EUR	VERSIONE EUROPA
XST	STANDARD COUNTRY	JAP	VERSIONE GIAPPONE
XST	STANDARD COUNTRY	ROK	VERSIONE SOUTH COREA



COLOUR	COLOUR CODE	COLOUR DESCRIPTION	FINISHED PRODUCTS
	SR	SPECIAL RED	(D19009319) M 1200R 19 AUS SR R-CR STD DMH (D19010219) M 1200R 19 ROK SR R-CR STD DMH (D19008919) M 1200R 19 EUR SR R-CR STD DMH (D19009219) M 1200R 19 JAP SR R-CR STD DMH (D19021319) M 1200R 19 BLG SR R-CR STD DMH



General information.....	3
Colours.....	4
Group ELECTRIC.....	8
Drawing 018 - BATTERY HOLDER [MOD:M 1200R].....	8
Drawing 020 - HEADLIGHT [MOD:M 1200R;XST:AUS,BLG,EUR,JAP,ROK].....	12
Drawing 18A - ENGINE CONTROL UNIT [MOD:M 1200R].....	14
Drawing 18B - WIRING HARNESS [MOD:M 1200R].....	16
Drawing 20A - INSTRUMENT PANEL [MOD:M 1200R].....	18
Drawing 28B - PLATE HOLDER [MOD:M 1200R;XST:AUS,EUR,ROK].....	20
Drawing 28B - PLATE HOLDER [MOD:M 1200R;XST:JAP].....	22
Drawing 28B - PLATE HOLDER [MOD:M 1200R;XST:EUR].....	24
Group OIL.....	26
Drawing L - SHELL ADVANCE [MOD:M 1200R].....	26
Group ENGINE.....	28
Drawing 002 - SHIFT CAM - FORK [MOD:M 1200R].....	28
Drawing 003 - GEAR BOX [MOD:M 1200R].....	30
Drawing 004 - CLUTCH [MOD:M 1200R].....	32
Drawing 005 - CLUTCH COVER [MOD:M 1200R].....	34
Drawing 006 - CONNECTING RODS [MOD:M 1200R].....	36
Drawing 007 - CYLINDERS - PISTONS [MOD:M 1200R].....	38
Drawing 008 - TIMING SYSTEM [MOD:M 1200R].....	40
Drawing 009 - FILTERS AND OIL PUMP [MOD:M 1200R].....	42
Drawing 010 - HALF-CRANKCASES PAIR [MOD:M 1200R].....	44
Drawing 011 - WATER PUMP-ALTR-SIDE CRNKCE COVER [MOD:M 1200R].....	48
Drawing 012 - ELECTRIC STARTING AND IGNITION [MOD:M 1200R].....	50
Drawing 013 - CYLINDER HEAD : TIMING SYSTEM [MOD:M 1200R].....	52
Drawing 014 - VERTICAL HEAD [MOD:M 1200R].....	54
Drawing 015 - HORIZONTAL HEAD [MOD:M 1200R].....	62
Drawing 10A - HALF-CRANKCASES PAIR [MOD:M 1200R].....	70

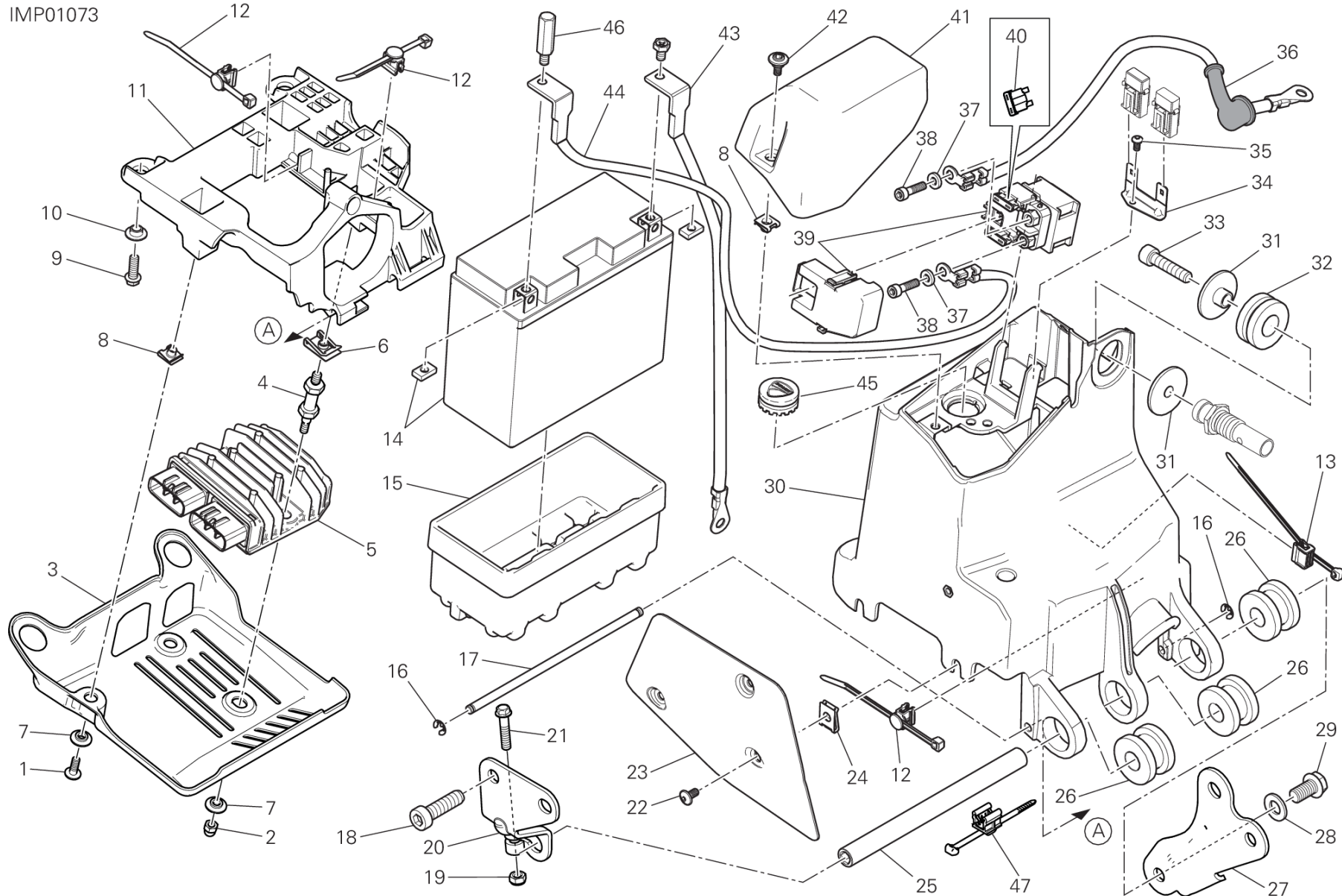


Group TOOLS.....	72
Drawing 001 - WORKSHOP SERVICE TOOLS, ENGINE [MOD:M 1200R].....	72
Drawing 01A - WORKSHOP SERVICE TOOLS, ENGINE [MOD:M 1200R].....	74
Drawing 01B - WORKSHOP SERVICE TOOLS, FRAME [MOD:M 1200R].....	76
Drawing 01C - DDS (2) TESTER [MOD:M 1200R].....	78
Group TYRES.....	80
Drawing A - TYRES [MOD:M 1200R].....	80
Drawing B2 - (*) PIRELLI DIABLO™ SUPERCORSA SP [MOD:M 1200R].....	82
Drawing C2 - PIRELLI DIABLO™ ROSSO CORSA [MOD:M 1200R].....	84
Drawing D3 - PIRELLI DIABLO™ ROSSO III [MOD:M 1200R].....	86
Drawing G - PIRELLI DIABLO™ ROSSO CORSA II [MOD:M 1200R].....	88
Group FRAME.....	90
Drawing 016 - OIL COOLER [MOD:M 1200R].....	90
Drawing 017 - THROTTLE BODY [MOD:M 1200R].....	92
Drawing 019 - EXHAUST SYSTEM [MOD:M 1200R].....	94
Drawing 021 - HANDLEBAR AND CONTROLS [MOD:M 1200R].....	98
Drawing 022 - FRAME [MOD:M 1200R].....	102
Drawing 023 - CLUTCH CONTROL [MOD:M 1200R].....	104
Drawing 024 - FRONT BRAKE SYSTEM [MOD:M 1200R].....	106
Drawing 025 - REAR BRAKE SYSTEM [MOD:M 1200R].....	108
Drawing 026 - RUOTA ANTERIORE E POSTERIORE [MOD:M 1200R].....	110
Drawing 027 - REAR FRAME COMP. [MOD:M 1200R].....	112
Drawing 028 - SOSPENSIONE POSTERIORE [MOD:M 1200R].....	116
Drawing 029 - AIR INTAKE - OIL BREATHER [MOD:M 1200R].....	118
Drawing 030 - WATER COOLER [MOD:M 1200R].....	120
Drawing 031 - COOLING SYSTEM [MOD:M 1200R].....	122
Drawing 032 - FUEL TANK [MOD:M 1200R;XST:AUS,BLG,EUR,JAP,ROK].....	124
Drawing 032 - FUEL TANK [MOD:M 1200R;XST:JAP].....	126
Drawing 033 - SEAT [MOD:M 1200R].....	128
Drawing 034 - HALF FAIRING [MOD:M 1200R].....	130



Drawing 035 - HOT AIR PIPE CANISTER [MOD:M 1200R].....	132
Drawing 036 - POSITIONING PLATES [MOD:M 1200R;XST:JAP].....	134
Drawing 21A - FRONT FORK [MOD:M 1200R].....	136
Drawing 22A - SIDE STAND [MOD:M 1200R].....	138
Drawing 24A - ANTILOCK BRAKING SYSTEM (ABS) [MOD:M 1200R].....	140
Drawing 26A - REAR WHEEL SPINDLE [MOD:M 1200R].....	142
Drawing 27A - FOOTRESTS, LEFT [MOD:M 1200R].....	144
Drawing 27B - FOOTRESTS, RIGHT [MOD:M 1200R].....	146
Drawing 28A - REAR SWINGING ARM [MOD:M 1200R;XST:BLG,EUR,JAP,ROK].....	148
Drawing 28A - REAR SWINGING ARM [MOD:M 1200R;XST:AUS].....	150
Drawing 34A - COWLING [MOD:M 1200R].....	152
Alphanumeric index.....	154

IMP01073



DRAWING 018 - BATTERY HOLDER [MOD:M 1200R]

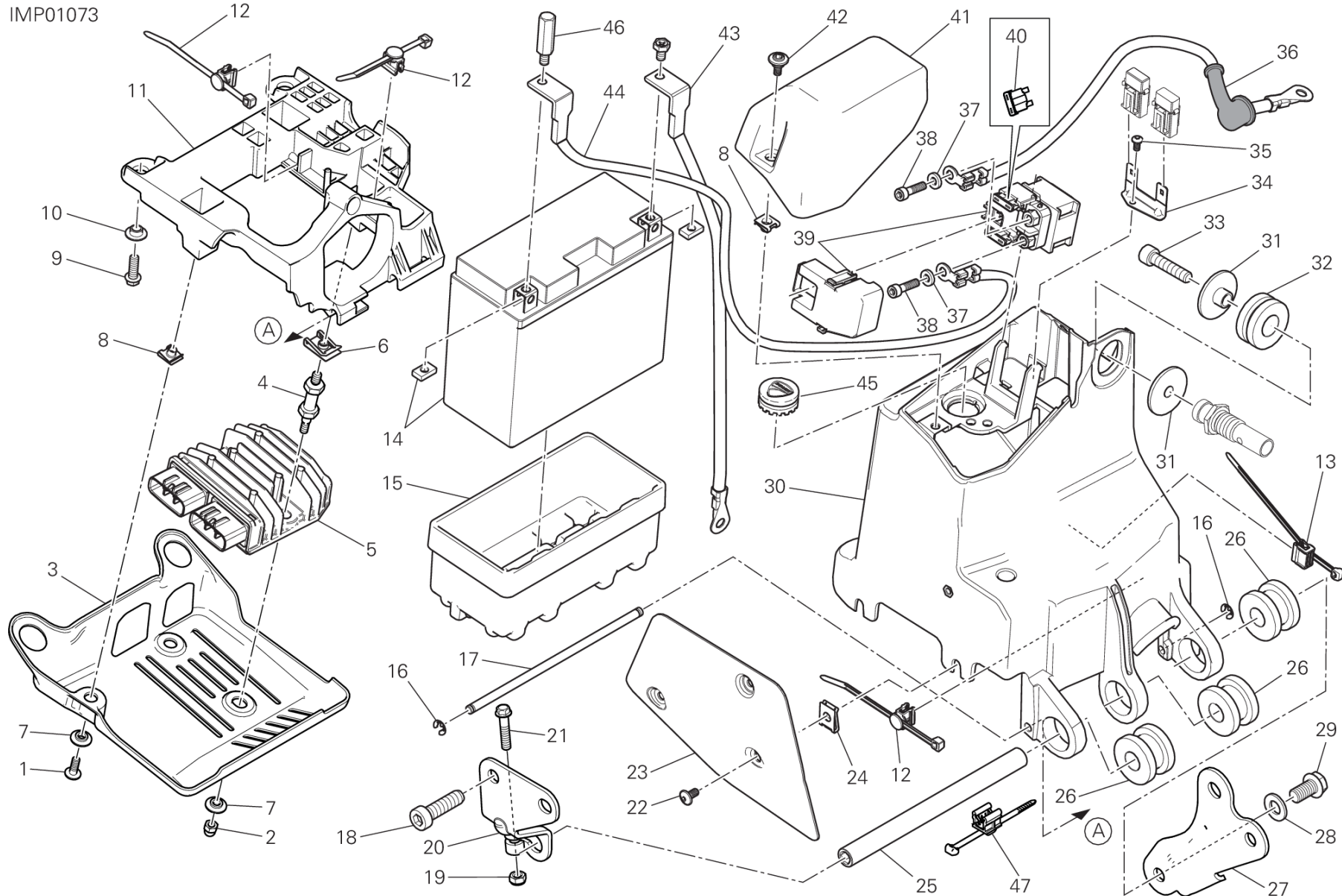
GROUP ELECTRIC



POS.	CODE	DESCRIPTION	QTY	START DATE	END DATE	VALIDITY	NOTES
1	77244183B	SCREW	1	01/08/2013			
2	75040141A	NUT	2	16/10/2015			
3	4601D231A	GUARD VOLTAGE REGULATOR	1	16/10/2015			
4	77211411AA	SCREW, SPECIAL	2	24/09/2015			
5	54040321A	VOLTAGE REGULATOR	1	01/08/2013			
6	85040381A	QUICK FASTENING	2	01/08/2013			
7	71614071A	SPACER 5.2X8.4X2	3	01/08/2013			
8	85041951AA	QUICK FASTENING	3	01/08/2013			
9	77251008B	SCREW M6X18	2	22/10/2013			
10	71610381B	SPACER	2	22/10/2013			
11	24715281A	COVER, BATTERY	1	24/09/2015			
12	75840771A	FAIRLEAD	3	01/08/2013			
13	75840801A	CLAMP	1	24/03/2014			
14	69926751A	BATTERY	1	22/10/2013			
15	86611681A	CUSHION, BATTERY	1	22/10/2013			
16	88450661A	SNAP RING	2	22/10/2013			
17	82114581BA	PIN	1	22/10/2013			
18	77355203C	SCREW M10x35	1	22/10/2013			
19	74941113B	NUT	1	22/10/2013			
20	8301A231AA	RIGHT BRACKET	1	16/10/2015			
21	77251043B	SCREW	1	22/10/2013			
22	77240258C	SCREW	3	22/10/2013			
23	4601A611B	BATTERY MOUNT HEAT GUARD	1	09/06/2014			
24	85040551A	QUICK FASTENING	2	01/08/2013			
25	82114571AA	PIN	1	22/10/2013			
26	76411431A	VIBRATION DAMPER PAD	3	01/08/2013			
27	8301A241AA	LEFT BRACKET	1	16/10/2015			
28	85250601A	WASHER	1	22/10/2013			
29	77251593B	SCREW	1	22/10/2013			
30	8291B632B	BATTERY HOLDER	1	01/08/2013			
31	71614271A	SPACER	2	22/10/2013			
32	76411421A	VIBRATION DAMPER PAD	1	01/08/2013			
33	77151283B	SCREW	1	22/10/2013			
34	83018352AA	BRACKET FUSE	1	01/08/2013			
35	77440431AA	SCREW, TAPPING	1	19/02/2015			



IMP01073

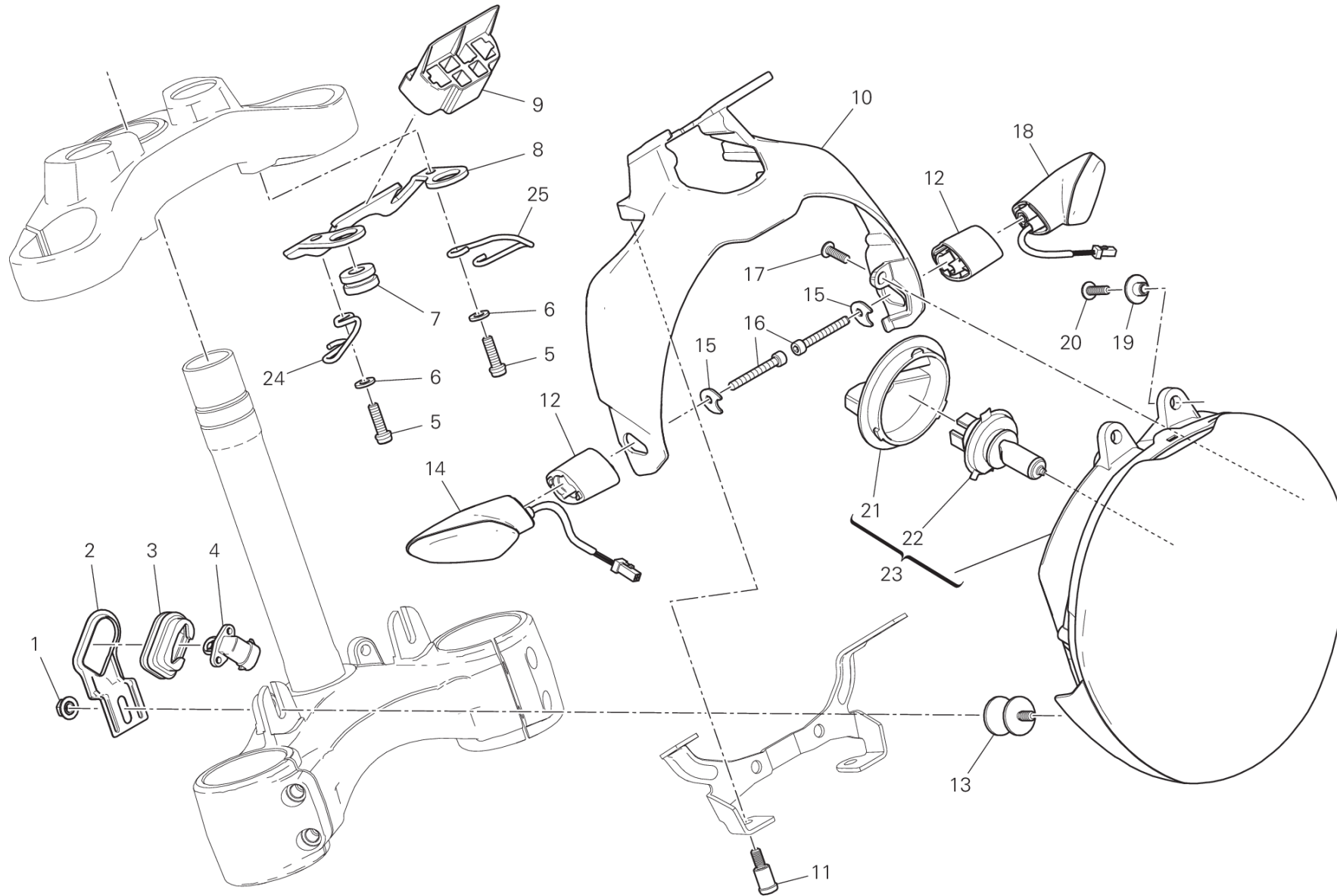


DRAWING 018 - BATTERY HOLDER [MOD:M 1200R]

GROUP ELECTRIC



POS.	CODE	DESCRIPTION	QTY	START DATE	END DATE	VALIDITY	NOTES
36	51410721B	CABLE	1	01/08/2013			
37	85350101A	WASHER, SPRING	2	01/08/2013			
38	77156628B	SCREW TCEIF M6X10	2	01/08/2013			
39	39740081B	STARTER RELAY	1	01/08/2013			
40	38940231A	FUSE 30A	1				
41	24714651A	COVER UPPER	1	22/10/2013			
42	77214411AA	SCREW	2	22/10/2013			
43	51310281B	BATTERY - ENGINE GROUNDING CABLE	1	01/08/2013			
44	51410711A	CABLE	1	01/08/2013			
45	76410621B	RUBBER PAD	2	01/08/2013			
46	77918711BA	SCREW, SPECIAL WIRE, BATTERY PLUS LEAD	1	22/10/2013			
47	75840861A	CLAMP	1	24/09/2015			



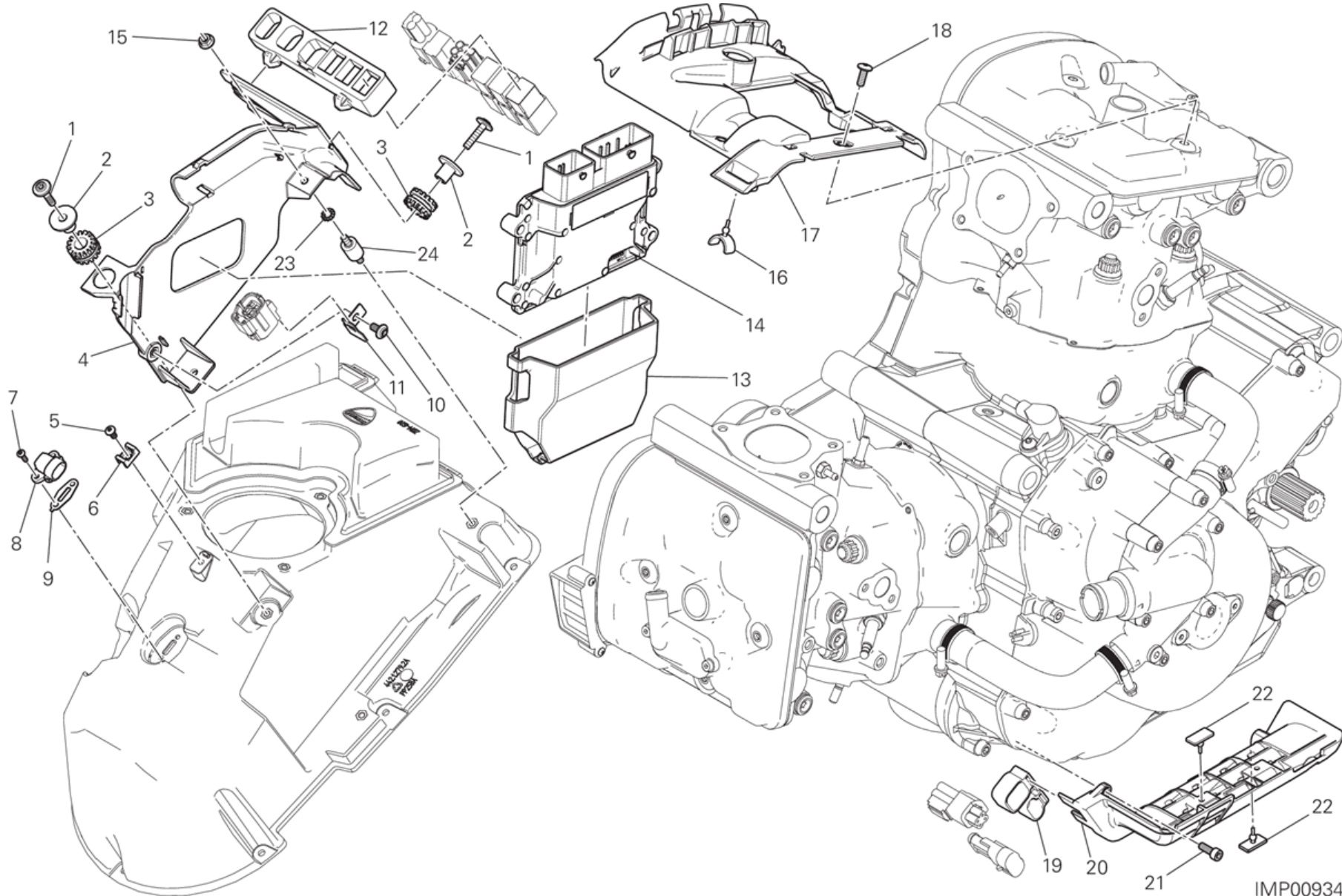
FAN00327

DRAWING 020 - HEADLIGHT [MOD:M 1200R;XST:AUS,BLG,EUR,JAP,ROK]

GROUP ELECTRIC



POS.	CODE	DESCRIPTION	QTY	START DATE	END DATE	VALIDITY	NOTES
1	74841101AA	NUT 6MM	2	22/10/2013			
2	83018731AA	BRACKET, SENSOR TEMPERATURE	1	22/10/2013			
3	76410971A	RUBBER PAD	1	22/10/2013			
4	55240121A	SENSOR, AIR TEMPERATURE	1	22/10/2013			
5	77110191A	SCREW TCEIF M6X20	2	21/06/2017			
6	85211761A	WASHER 6.4X12.5X1.6	2	01/08/2013			
7	76410641A	VIBRATION DAMPER PAD	2	01/08/2013			
8	8291B651AA	BRACKET, CONNECTOR	1	01/08/2013			
9	86611692B	RUBBER PAD	1	15/01/2014			
10	8291B661BC	BRACKET, HEADLIGHT & DASHBOARD	1	16/10/2015			
11	82113571A	THREATENED PIN	2	22/10/2013			
12	7131A481A	SPACER	2	22/10/2013			
13	70010481B	DAMPER M6X12	2	22/10/2013			
14	53010321A	FLASHER LIGHT FRONT RH- REAR LH	1	01/08/2013			
15	82714931A	PLATE	2	22/10/2013			
16	77150498B	SCREW TCEI M5X40	2	22/10/2013			
17	77440041A	SCREW, TAPPING M5X16	2	01/08/2013			
18	53010331A	FLASHER LIGHT FRONT LH - REAR RH	1	01/08/2013			
19	71614251A	SPACER	2	22/10/2013			
20	77244203B	SCREW	2	22/10/2013			
21	39040311A	CAP	1				
22	39040291A	BULB	1				
23	52010271C	HEADLIGHT	1	22/10/2013			
24	88110931A	HOSE GUIDE RIGHT	1	28/05/2014			
25	88110961A	HOSE GUIDE LEFT	1	28/05/2014			



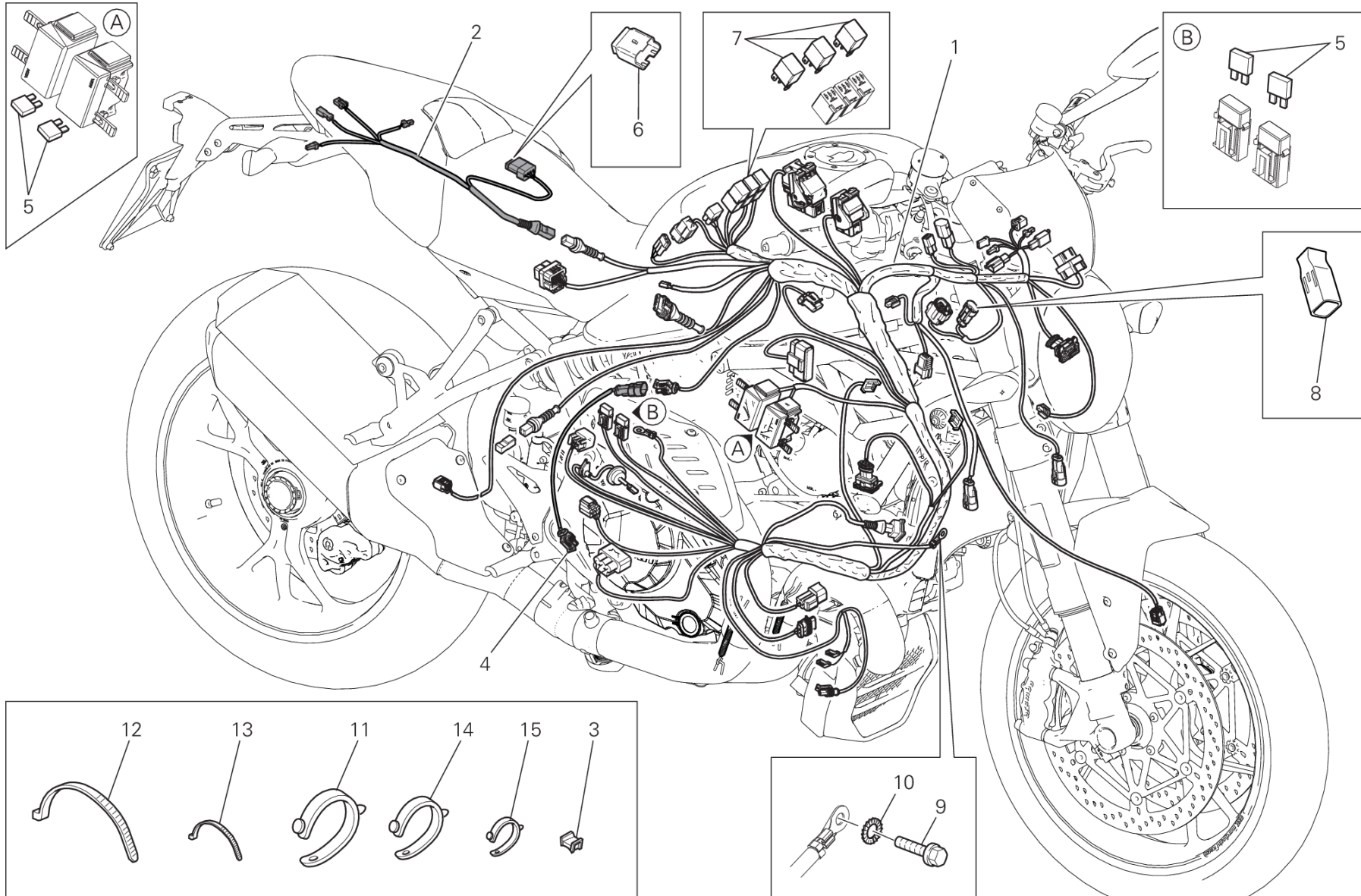
IMP00934

DRAWING 18A - ENGINE CONTROL UNIT [MOD:M 1200R]

GROUP ELECTRIC



POS.	CODE	DESCRIPTION	QTY	START DATE	END DATE	VALIDITY	NOTES
1	77214061AA	SCREW, SPECIAL TCEI M5x22	2	11/06/2014			
2	71610061A	SPACER	2	11/06/2014			
3	76410241A	VIBRATION DAMPER PAD	2	11/06/2014			
4	8291B641C	BRACKET ENGINE CONTROL UNIT	1	11/06/2014			
5	77440141A	SCREW, TAPPING 4X8 WN1412	1	12/03/2013			
6	85041711A	HOSE GUIDE	1	12/03/2013			
7	77440213C	SCREW	2	12/03/2013			
8	55240121A	SENSOR, AIR TEMPERATURE	1	22/10/2013			
9	78811041A	GASKET, COOLING WATER SENSOR	1	12/03/2013			
10	77244168B	SCREW	1	12/03/2013			
11	8291B771AA	CONNECTOR HOLDER	1	12/03/2013			
12	86611611A	RUBBER PAD UPPER	1	12/03/2013			
13	86611981A	VIBRATION DAMPER ENGINE CONTROL UNIT	1	11/06/2014			
14	28642711A	ENGINE CONTROL UNIT	1	16/10/2015		XST:AUS,EUR	AUS-EUR
	28642711E	ENGINE CONTROL UNIT	1	10/03/2016		XST:BLG	BLG
	28642711F	ENGINE CONTROL UNIT	1	16/10/2015		XST:JAP	JAP
	28642711J	ENGINE CONTROL UNIT	1			XST:ROK	KOR
15	74850061A	NUT	2	11/06/2014			
16	86610731A	VIBRATION DAMPER	2	22/10/2013			
17	75810782A	PROTECTION WIRING VERTICAL HEAD	1	03/06/2014			
18	77240278C	SCREW	3	22/10/2013			
19	86611731A	RUBBER PAD CONNECTOR	1	22/10/2013			
20	8291B871B	HOLDER WIRING LOWER	1	22/10/2013			
21	77150408B	SCREW TCEI M5X14	3	22/10/2013			
22	86610361A	RUBBER PAD	3	22/10/2013			
23	46240461A	WASHER, SPRING	2	11/06/2014			
24	70010431A	DAMPER	2	11/06/2014			



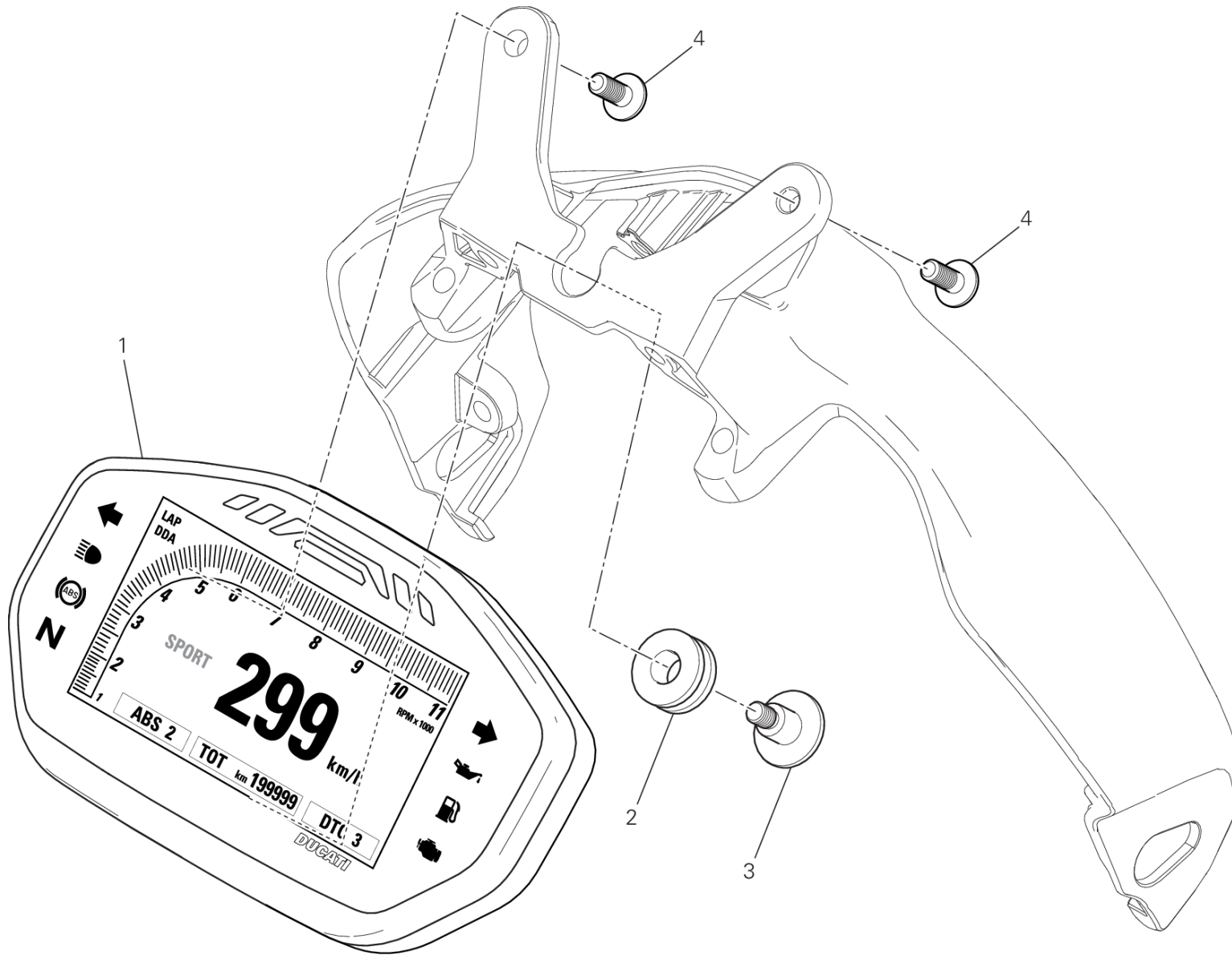
IMP00983

DRAWING 18B - WIRING HARNESS [MOD:M 1200R]

GROUP ELECTRIC



POS.	CODE	DESCRIPTION	QTY	START DATE	END DATE	VALIDITY	NOTES
1	5101A701B	MAIN WIRING HARNESS	1	24/09/2015			
2	5101A851B	REAR WIRING	1	03/11/2015			
3	85040671A	CLAMP TUCKER	3	01/10/2013			
4	51019721A	EXTENSION, WIRE HARNESS SWITCH, REAR BRAKE	1	22/10/2013			
5	38940191A	FUSE 5A	4				
	38940201A	FUSE 10A	3				
	38940211A	FUSE 15A	1				
	38940221A	FUSE 20A	1				
	38940241A	FUSE 7,5A	1				
	38940251A	FUSE 30A	1				
	38940261A	FUSE 25A	1				
	38940301A	FUSE 3A	1				
6	87210532A	CAP DDA	1				
7	54140101A	RELAY	3				
8	87210641A	CAP, CONNECTOR	1				
9	77211061A	SCREW TEF M6X14	1	22/02/2017			
10	85550001B	SPRING WASHER	1	22/10/2013			
11	74110131A	CLAMP, RUBBER 82MM	2	22/10/2013			
12	069191030	CLAMP	40	01/10/2013			
13	74140381A	CLAMP	30	01/08/2013			
14	74110101A	CLAMP 70MM	2	22/10/2013			
15	74110551A	CLAMP, RUBBER 39MM	10	22/10/2013			



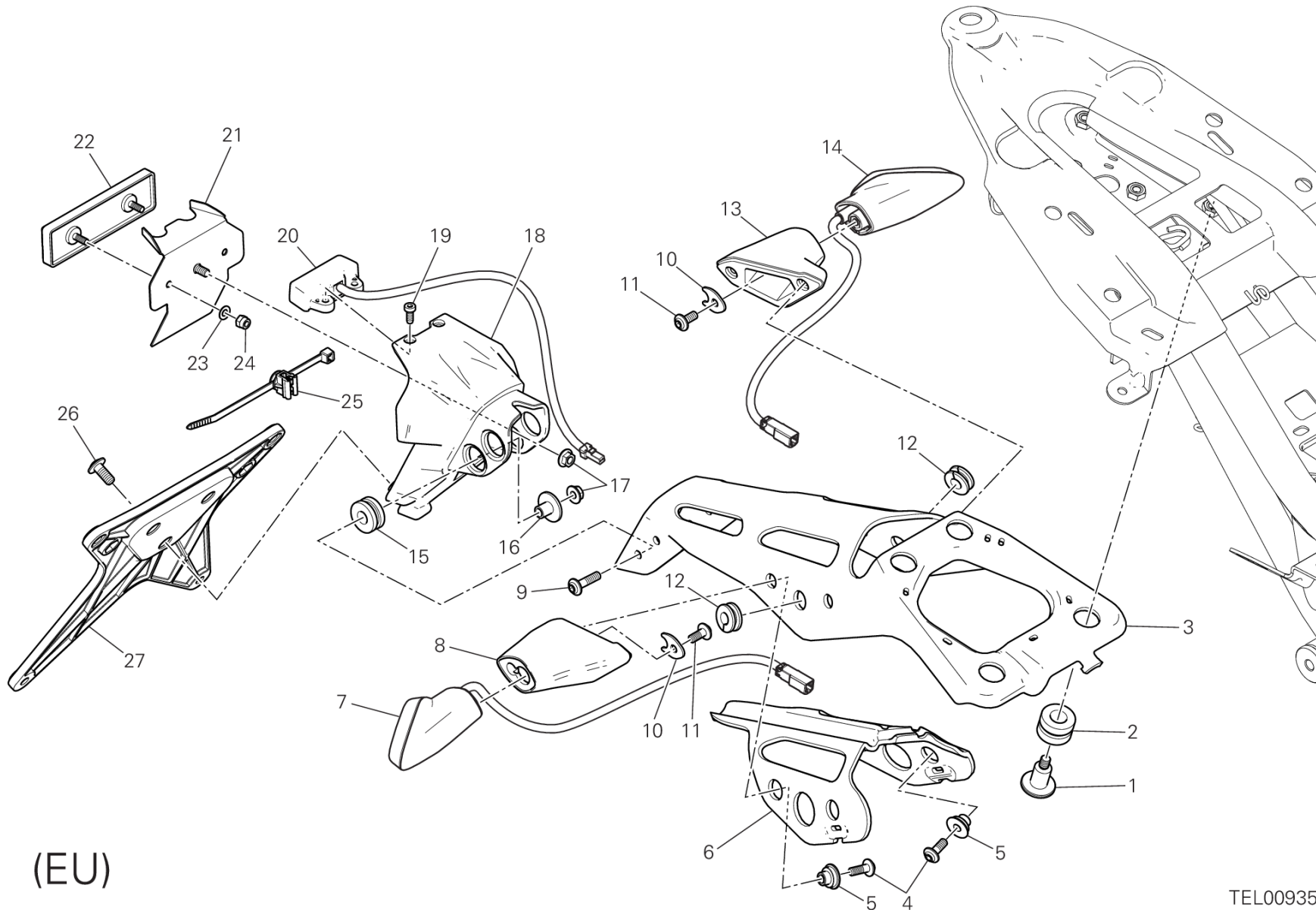
FAN00292

DRAWING 20A - INSTRUMENT PANEL [MOD:M 1200R]

GROUP ELECTRIC



POS.	CODE	DESCRIPTION	QTY	START DATE	END DATE	VALIDITY	NOTES
1	40611202B	COMPLETE INSTRUMENT PANEL	1	22/02/2017			
2	76410841A	VIBRATION DAMPER PAD	1	22/10/2013			
3	77214161AA	SCREW, SPECIAL	1	22/10/2013			
4	77244173B	SCREW	2	16/10/2015			



(EU)

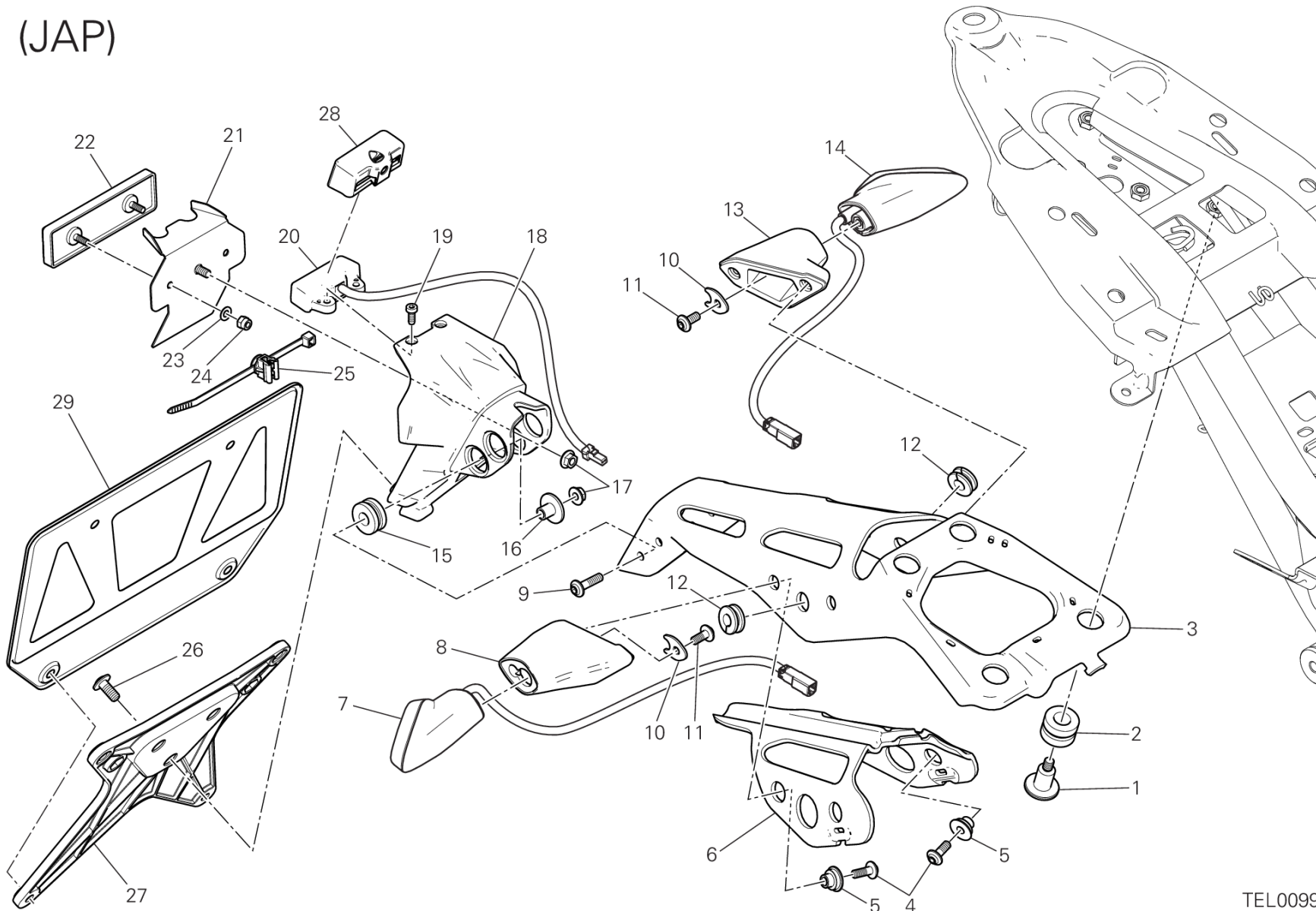
TEL00935



POS.	CODE	DESCRIPTION	QTY	START DATE	END DATE	VALIDITY	NOTES
1	77214311AA	SCREW, SPECIAL	4	29/05/2015			
2	76412231A	RUBBER PAD	4	29/05/2015			
3	56113311BA	STAY COMP.	1	29/05/2015			
4	77244183B	SCREW	4	03/11/2015			
5	71615141AA	SPACER	4	03/11/2015			
6	75810982C	PANEL BOTTOM CABLE	1	03/11/2015			
7	53010331A	FLASHER LIGHT FRONT LH - REAR RH	1	03/11/2015			
8	7131B621B	RIGHT SPACER	1	03/11/2015			
9	77244213B	SCREW	4	03/11/2015			
10	82717911B	PLATE	2	03/11/2015			
11	77244178B	SCREW	2	03/11/2015			
12	76410841A	VIBRATION DAMPER PAD	2	03/11/2015			
13	7131B611B	LEFT SPACER	1	03/11/2015			
14	53010321A	FLASHER LIGHT FRONT RH- REAR LH	1	03/11/2015			
15	76411501A	RUBBER PAD	4	03/11/2015			
16	71615102AA	SPACER	4	03/11/2015			
17	74850061B	NUT	5	03/11/2015			
18	56113301B	STAY COMP.	1	03/11/2015			
19	77354623B	SCREW M4X10	2	03/11/2015			
20	52510433B	LAMP, LICENSE PLATE	1	03/11/2015			
21	8291E742BA	BRACKET, REAR REFLECTOR	1	03/11/2015			
22	52910231A	REFLEX REFLECTOR, REAR	1	03/11/2015			
23	85212511A	WASHER 4.5X9X0.5	2	19/02/2015			
24	74950011B	NUT, SPRING	2	16/03/2015			
25	75840771A	FAIRLEAD	1	03/11/2015			
26	77240418C	SCREW	3	03/11/2015			
27	56113392A	PLATE HOLDER	1	03/11/2015			



(JAP)



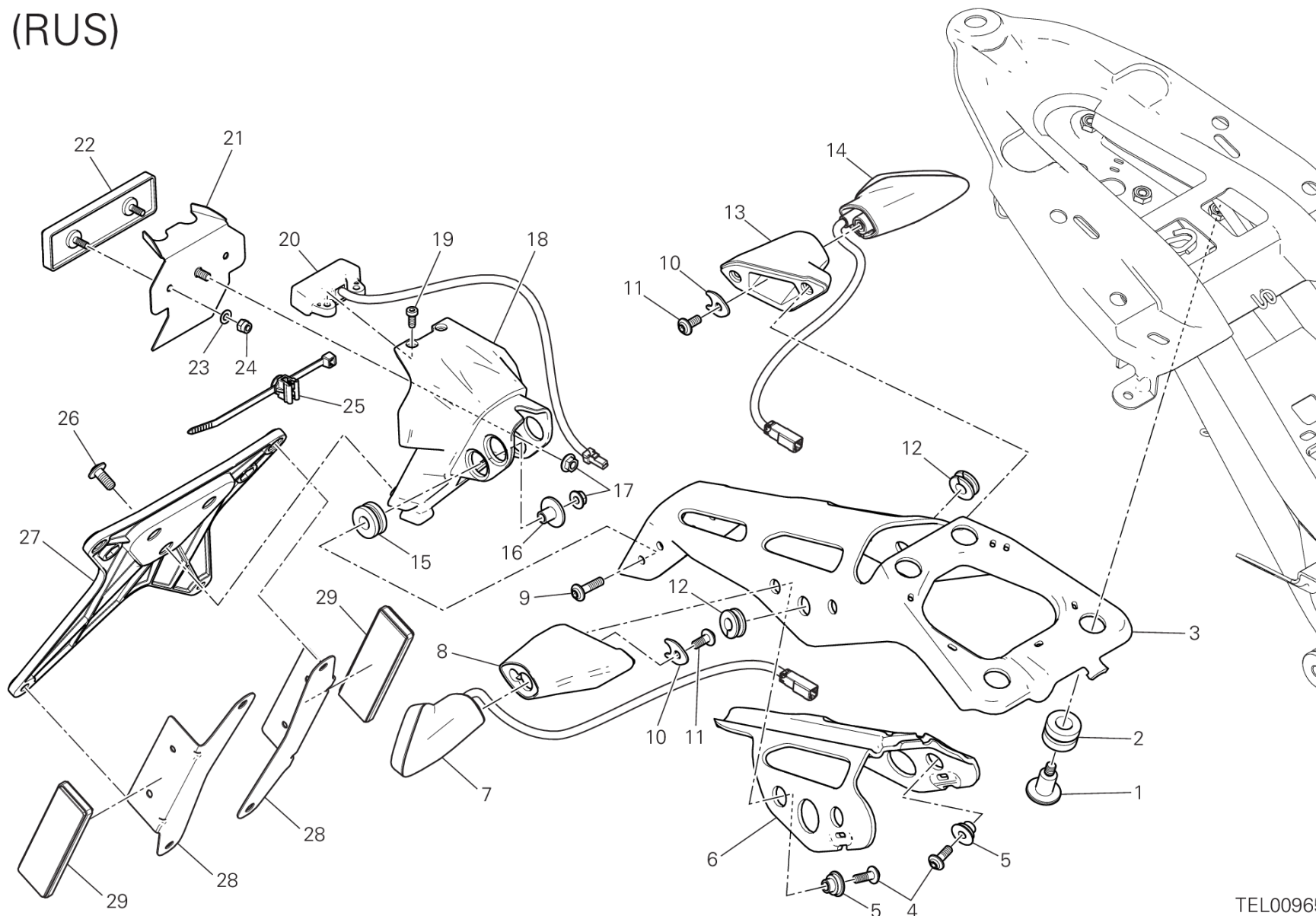
TEL00998



POS.	CODE	DESCRIPTION	QTY	START DATE	END DATE	VALIDITY	NOTES
1	77214311AA	SCREW, SPECIAL	4	29/05/2015			
2	76412231A	RUBBER PAD	4	29/05/2015			
3	56113311BA	STAY COMP.	1	29/05/2015			
4	77244183B	SCREW	4	03/11/2015			
5	71615141AA	SPACER	4	03/11/2015			
6	75810982C	PANEL BOTTOM CABLE	1	03/11/2015			
7	53010331A	FLASHER LIGHT FRONT LH - REAR RH	1	03/11/2015			
8	7131B621B	RIGHT SPACER	1	03/11/2015			
9	77244213B	SCREW	4	03/11/2015			
10	82717911B	PLATE	2	03/11/2015			
11	77244178B	SCREW	2	03/11/2015			
12	76410841A	VIBRATION DAMPER PAD	2	03/11/2015			
13	7131B611B	LEFT SPACER	1	03/11/2015			
14	53010321A	FLASHER LIGHT FRONT RH- REAR LH	1	03/11/2015			
15	76411501A	RUBBER PAD	4	03/11/2015			
16	71615102AA	SPACER	4	03/11/2015			
17	74850061B	NUT	5	03/11/2015			
18	56113301B	STAY COMP.	1	03/11/2015			
19	77354623B	SCREW M4X10	2	03/11/2015			
20	52510433B	LAMP, LICENSE PLATE	1	03/11/2015			
21	8291E742BA	BRACKET, REAR REFLECTOR	1	03/11/2015			
22	52910231A	REFLEX REFLECTOR, REAR	1	03/11/2015			
23	85212511A	WASHER 4.5X9X0.5	2	19/02/2015			
24	74950011B	NUT, SPRING	2	16/03/2015			
25	75840771A	FAIRLEAD	1	03/11/2015			
26	77240418C	SCREW	3	03/11/2015			
27	56113391A	PLATE HOLDER	1	03/11/2015			
28	4601D781B	COVER LAMP, LICENSE PLATE	1	03/11/2015			
29	56113381AA	PLATE PLATE HOLDER	1	10/03/2016			



(RUS)



TEL00965



POS.	CODE	DESCRIPTION	QTY	START DATE	END DATE	VALIDITY	NOTES
1	77214311AA	SCREW, SPECIAL	4	29/05/2015			
2	76412231A	RUBBER PAD	4	29/05/2015			
3	56113311BA	STAY COMP.	1	29/05/2015			
4	77244183B	SCREW	4	03/11/2015			
5	71615141AA	SPACER	4	03/11/2015			
6	75810982C	PANEL BOTTOM CABLE	1	03/11/2015			
7	53010331A	FLASHER LIGHT FRONT LH - REAR RH	1	03/11/2015			
8	7131B621B	RIGHT SPACER	1	03/11/2015			
9	77244213B	SCREW	4	03/11/2015			
10	82717911B	PLATE	2	03/11/2015			
11	77244178B	SCREW	2	03/11/2015			
12	76410841A	VIBRATION DAMPER PAD	2	03/11/2015			
13	7131B611B	LEFT SPACER	1	03/11/2015			
14	53010321A	FLASHER LIGHT FRONT RH- REAR LH	1	03/11/2015			
15	76411501A	RUBBER PAD	4	03/11/2015			
16	71615102AA	SPACER	4	03/11/2015			
17	74850061B	NUT	5	03/11/2015			
18	56113301B	STAY COMP.	1	03/11/2015			
19	77354623B	SCREW M4X10	2	03/11/2015			
20	52510433B	LAMP, LICENSE PLATE	1	03/11/2015			
21	8291E742BA	BRACKET, REAR REFLECTOR	1	03/11/2015			
22	52910231A	REFLEX REFLECTOR, REAR	1	03/11/2015			
23	85212511A	WASHER 4.5X9X0.5	2	19/02/2015			
24	74950011B	NUT, SPRING	2	16/03/2015			
25	75840771A	FAIRLEAD	1	03/11/2015			
26	77240418C	SCREW	3	03/11/2015			
27	56113392A	PLATE HOLDER	1	03/11/2015			
28	82717421AA	HOLDER	2				
29	52940051A	CAT'S EYE	2				

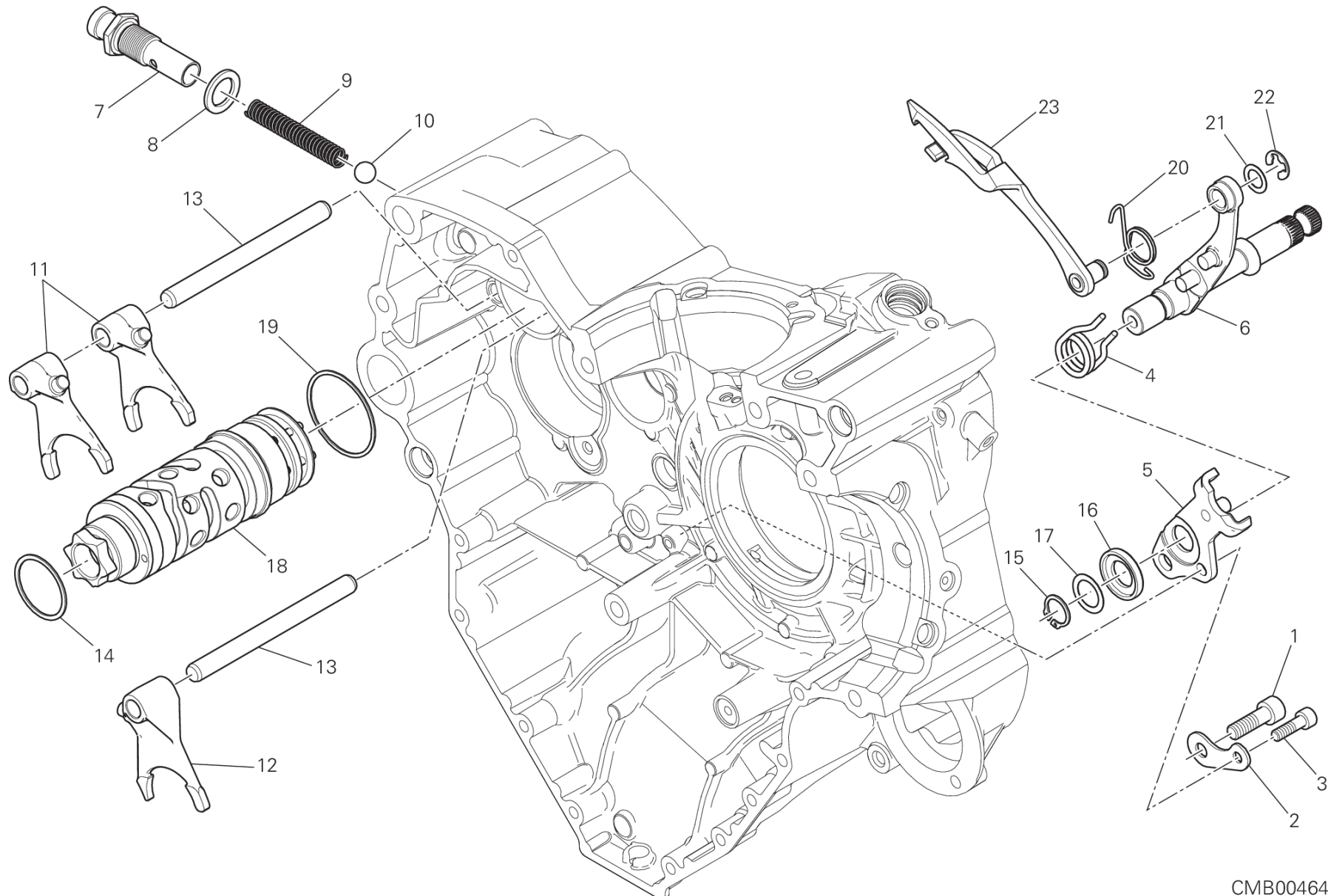


DRAWING L - SHELL ADVANCE [MOD:M 1200R]

GROUP OIL



POS.	CODE	DESCRIPTION	QTY	START DATE	END DATE	VALIDITY	NOTES
1	944650035	SHELL ADVANCE DUCATI 15W50 - 1L BOTTLE	1				
2	944650037	SHELL ADVANCE DUCATI 15W50 – 209L DRUM	1				



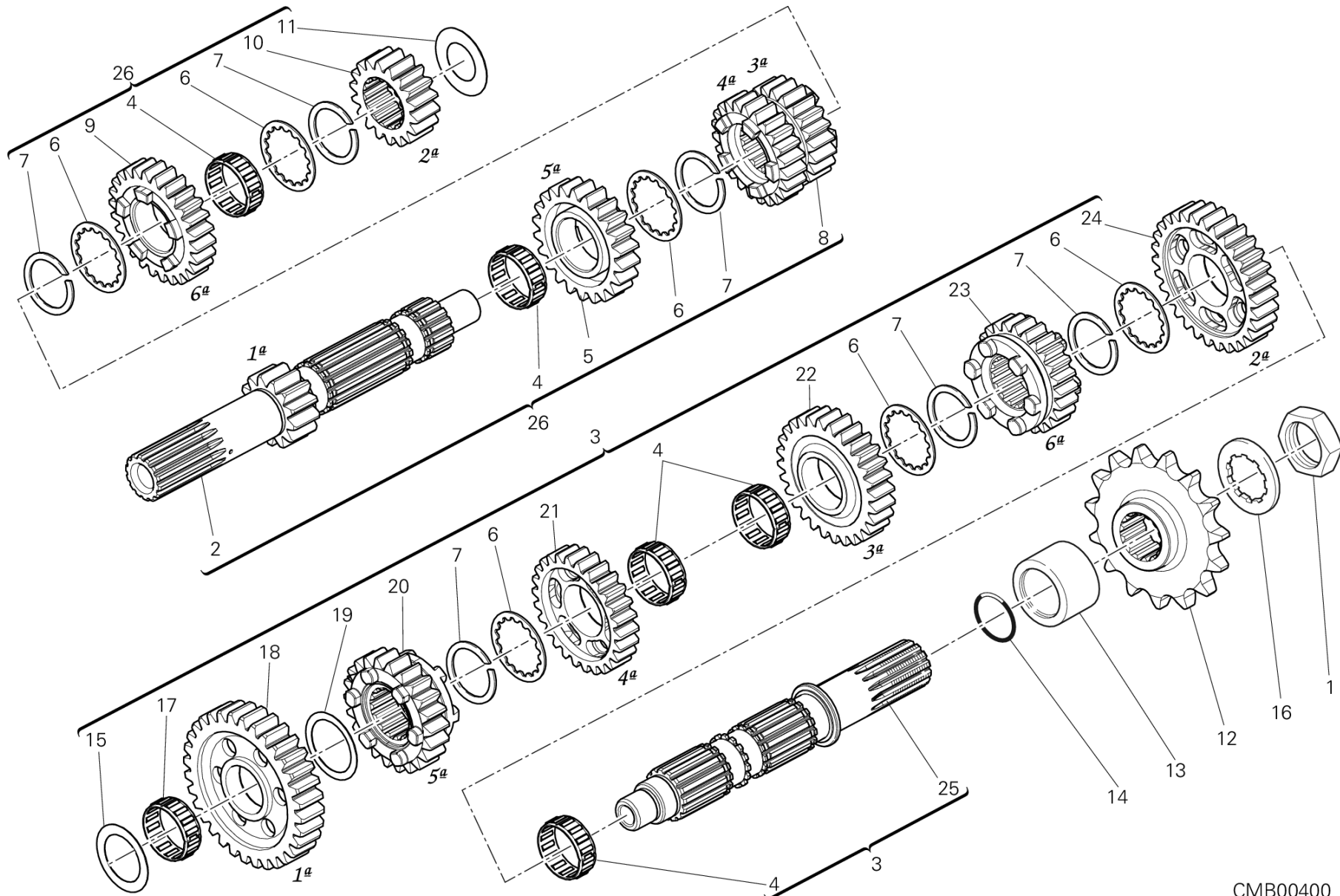
CMB00464

DRAWING 002 - SHIFT CAM - FORK [MOD:M 1200R]

GROUP ENGINE



POS.	CODE	DESCRIPTION	QTY	START DATE	END DATE	VALIDITY	NOTES
1	77151250ZF	SCREW	1	22/03/2013			
2	71319151A	SPACER	1	22/03/2013			
3	77150670ZF	SCREW	1	22/03/2013			
4	79915061A	SPRING, SHIFT RETURN	1	03/05/2012			
5	82610261A	STOPPER PLATE	1	28/11/2013			
6	82114731A	GEAR SELECTOR SHAFT	1	28/11/2013			
7	77918132A	SCREW, SPECIAL	1	04/09/2014			
8	027291090	GASKET 16.2X24X2	1	22/03/2013			
9	066013143	GEAR SELECTOR SPRING	1	22/03/2013			
10	768351134	BALL 11MM	1	22/03/2013			
11	180Z0031A	GEAR SELECTOR FORK,1ST/4TH-2ND/3RD	2	22/03/2013			
12	180Z0041A	FORK-SHIFT, 5TH&6TH	1	22/03/2013			
13	82113881A	FORK PIN	2	25/03/2013			
14	85210051A	THRUST WASHER 1 MM	1	22/03/2013			
15	735001542	CIRCLIP 15 DIN 471	1	28/11/2013			
16	88110121A	CENTERING RING	1	28/11/2013			
17	040029126	THRUST WASHER 15.5X22X0.5	1	28/11/2013			
18	18220521A	COMPLETE GEARBOX DRUM	1	22/03/2013			
19	85210941A	THRUST WASHER 45.2X49X0.9	1	22/03/2013			
20	79912961A	RETURN SPRING	1	28/11/2013			
21	040009050	THRUST WASHER 10.5X16X0.5	1	28/11/2013			
22	88450341B	SPRING RING	1	28/11/2013			
23	18020391A	CONTROL FORK	1	28/11/2013			



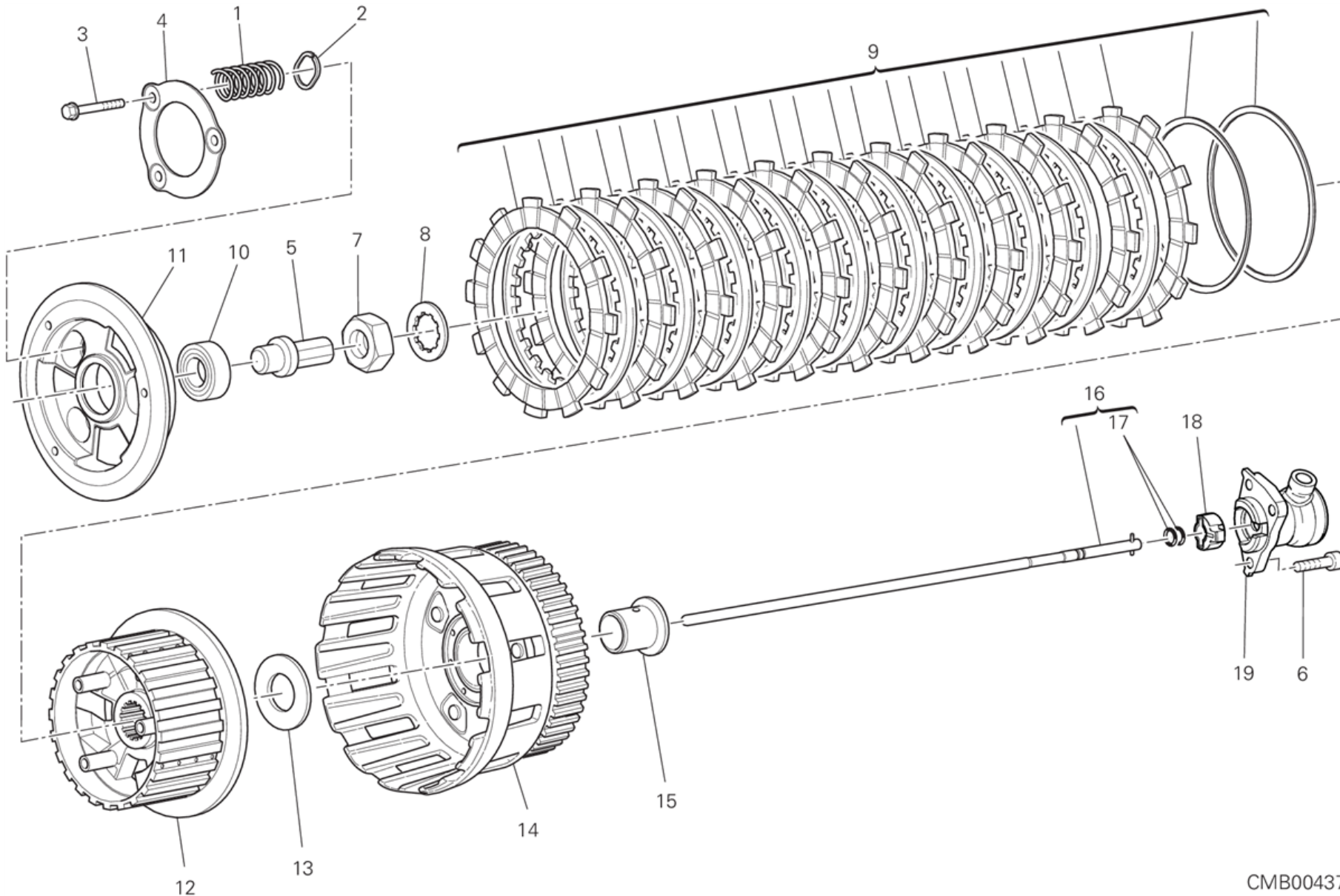
CMB00400

DRAWING 003 - GEAR BOX [MOD:M 1200R]

GROUP ENGINE



POS.	CODE	DESCRIPTION	QTY	START DATE	END DATE	VALIDITY	NOTES
1	75010071A	NUT M25X1.5	1	16/05/2011			
2	14910831D	GEARBOX MAIN SHAFT	1	19/02/2013			
3	15021941B	COMPLETE LAY SHAFT	1	19/02/2013			
4	70140051A	BEARING, NEEDLE	5	19/02/2013			
5	17213291C	GEAR DRIVE 5TH SPEED	1	19/02/2013			
6	85611372A	WASHER LOCK 28X32.5X1	6	19/02/2013			
7	88210151A	SPRING RING 25X29X2.4	6	19/02/2013			
8	17213281C	GEAR, 3RD-4TH PINION	1	19/02/2013			
9	17213301C	GEAR DRIVE 6TH SPEED	1	19/02/2013			
10	17213271A	DRIVING GEAR 2ND SP.	1	19/02/2013			
11	71310141E	THRUST WASHER 20.3X32X1.6	1	16/05/2011			
12	44910531A	SPROCKET T15	1	22/10/2013			
13	71319951A	SPACER, ENGINE SPROCKET	1	11/09/2013			
14	46320537A	O-RING	1	25/03/2013			
15	71312661A	THRUST WASHER 17.3X31X3.15	1	19/02/2013			
16	85110041A	WASHER, LOCK	1	21/05/2013			
17	764020002	BEARING, NEEDLE	1	24/12/2009			
18	17213311A	DRIVEN GEAR 1ST SP.	1	24/12/2009			
19	067016155	THRUST WASHER 1 MM	1	24/12/2009			
20	17213351B	DRIVEN GEAR 5TH SPEED 23T	1	19/02/2013			
21	17213341B	DRIVEN GEAR 4TH SPEED T:24	1	19/02/2013			
22	17213331B	DRIVEN GEAR 3RD SPEED T27	1	19/02/2013			
23	17213361B	DRIVEN GEAR 6TH SPEED T22	1	19/02/2013			
24	17213321A	DRIVEN GEAR 2ND SP.	1	24/12/2009			
25	14910891C	DRIVEN SHAFT	1	19/02/2013			
26	15021431E	COMPLETE MAIN SHAFT	1	19/02/2013			



CMB00437

DRAWING 004 - CLUTCH [MOD:M 1200R]

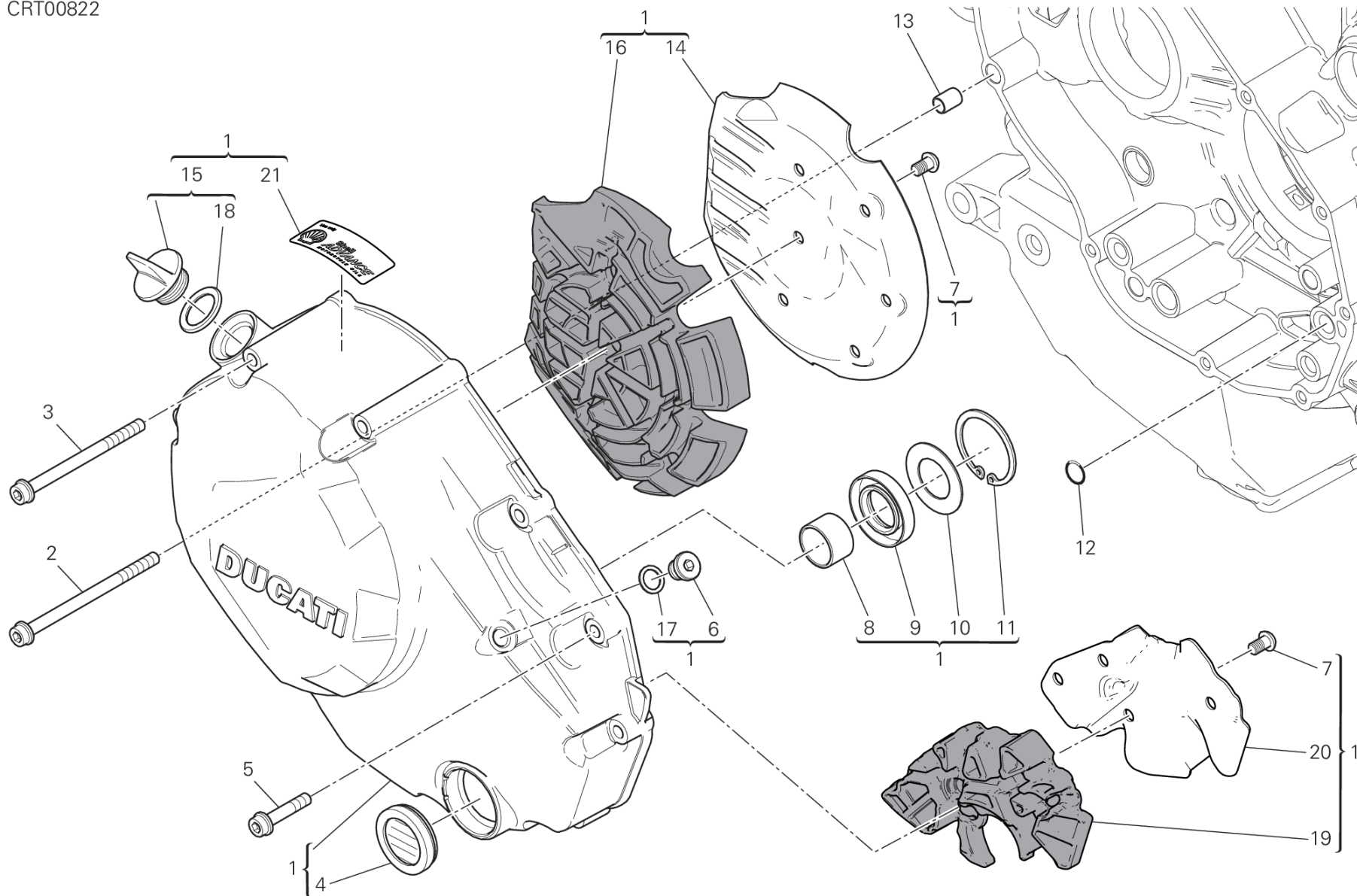
GROUP ENGINE



POS.	CODE	DESCRIPTION	QTY	START DATE	END DATE	VALIDITY	NOTES
1	79710531B	SPRING	3	25/03/2013			
2	85611391B	THRUST WASHER	3	06/09/2013			
3	77211201A	SCREW	3	02/05/2012			
4	19410511A	RING	1	02/05/2012			
5	81810162A	CLUTCH CONTROL PIN (FCC)	1	25/03/2013			
6	77150653B	SCREW TCEI M6X16 UNI5931 8.8	3	22/10/2013			
7	75010071E	NUT M25X1.5	1	25/03/2013			
8	85110201A	LOCK WASHER	1	07/05/2014			
9	19020232A	CLUTCH DISC SET	1	02/05/2012			
10	70250601A	BEARING	1	02/05/2012			
11	19610542C	DISK, CLUTCH PRESSURE (FCC)	1	06/09/2013			
12	19610532C	PLATE HOLDER HUB (FCC)	1	06/09/2013			
13	71313091A	SPACER	1	02/05/2012			
14	19820441A	PRIMARY DRIVEN GEAR COMP.	1	02/05/2012			
15	71314831A	SPACER	1	17/10/2012			
16	11721082A	CLUTCH CONTROL ROD	1	18/02/2013			
17	88641731A	O-RING 1.78X4.76	2	18/07/2011			
18	71320043A	ANTI-ROTATION INSERT	1	17/04/2015			
19	19540033B	PISTON ASSEMBLY	1	20/09/2012			



CRT00822

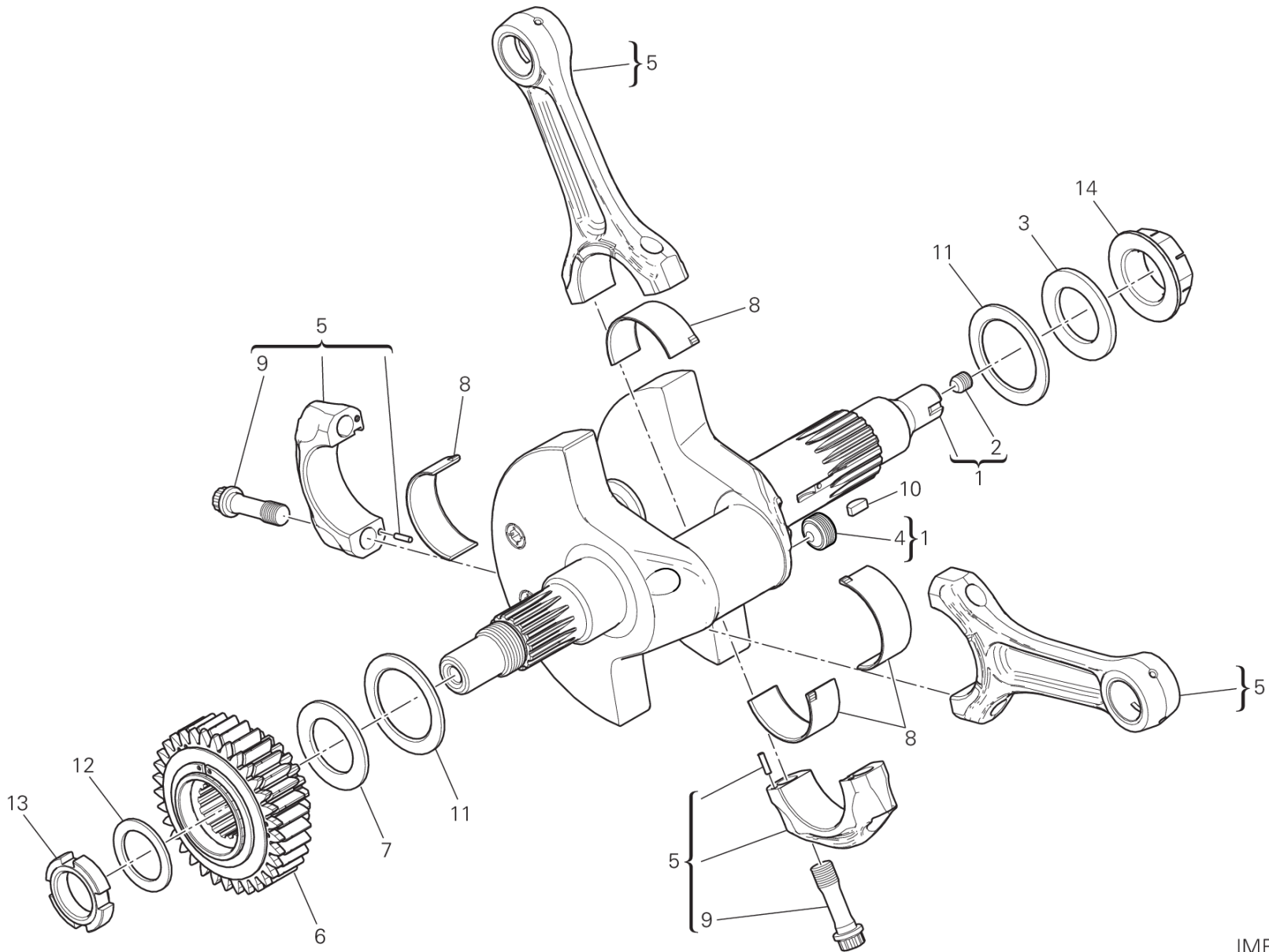


DRAWING 005 - CLUTCH COVER [MOD:M 1200R]

GROUP ENGINE



POS.	CODE	DESCRIPTION	QTY	START DATE	END DATE	VALIDITY	NOTES
1	24321042AC	COVER CLUTCH SIDE	1	23/03/2017			
2	77140833C	SCREW TCEIF M6X90 10.9	1	14/04/2014			
3	77140813C	SCREW TCEIF M6X80 10.9	3	14/04/2014			
4	25440013A	WINDOW, OIL LEVEL CHECK	1	01/01/2011			
5	77140713C	SCREW TCEIF M6X30 10.9	6	02/02/2015			
6	78011001B	PLUG, THREADED M10X1	1	27/05/2015			
7	77510721A	SCREW	10	27/04/2016			
8	066549680	BUSH	1	01/01/2011			
9	93040211A	OIL SEAL	1	01/01/2011			
10	85213601A	WASHER, THRUST 22x37.8x1	1	03/11/2014			
11	88450711A	SPRING RING	1	03/11/2014			
12	88641321A	O-RING 11.11X1.78	1	25/03/2013			
13	71111601A	PIN DOWEL	1	25/03/2013			
14	82717601A	SHEET ACOUSTIC DAMPER	1	11/05/2015			
15	89320191A	PLUG ASSY	1	03/11/2014			
16	48610951A	DAMPER, SOUND ARRESTER	1	03/11/2014			
17	85250631A	WASHER	1	03/11/2014			
18	88642301A	O-RING	1	05/03/2014			
19	48611091A	DAMPER, SOUND ARRESTER	1	11/05/2015			
20	82718261A	SHEET ACOUSTIC DAMPER OIL PUMP	1	11/05/2015			
21	43313911A	TRANSFER "SHELL ULTRA"	1	11/05/2016			



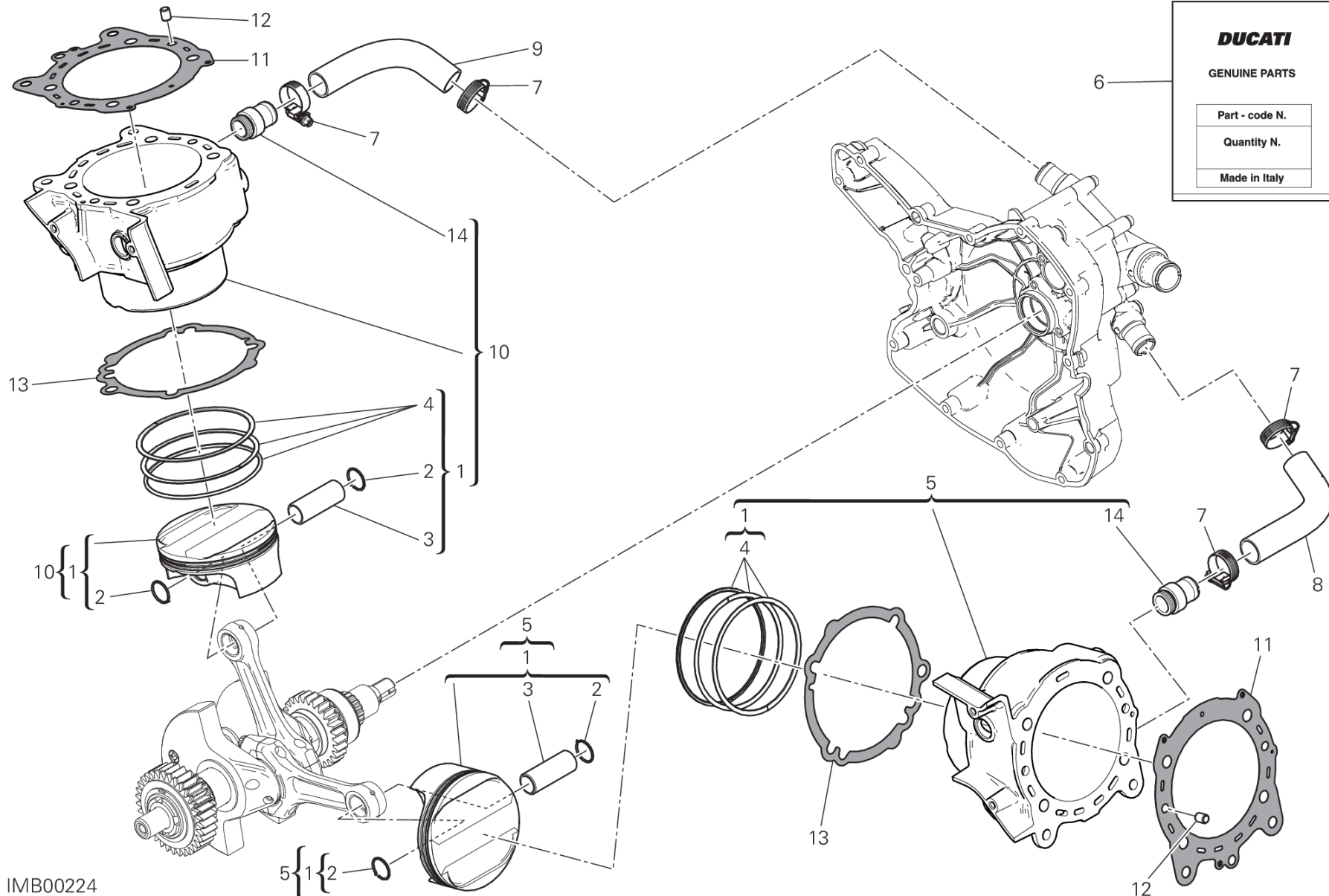
IMB00223

DRAWING 006 - CONNECTING RODS [MOD:M 1200R]

GROUP ENGINE



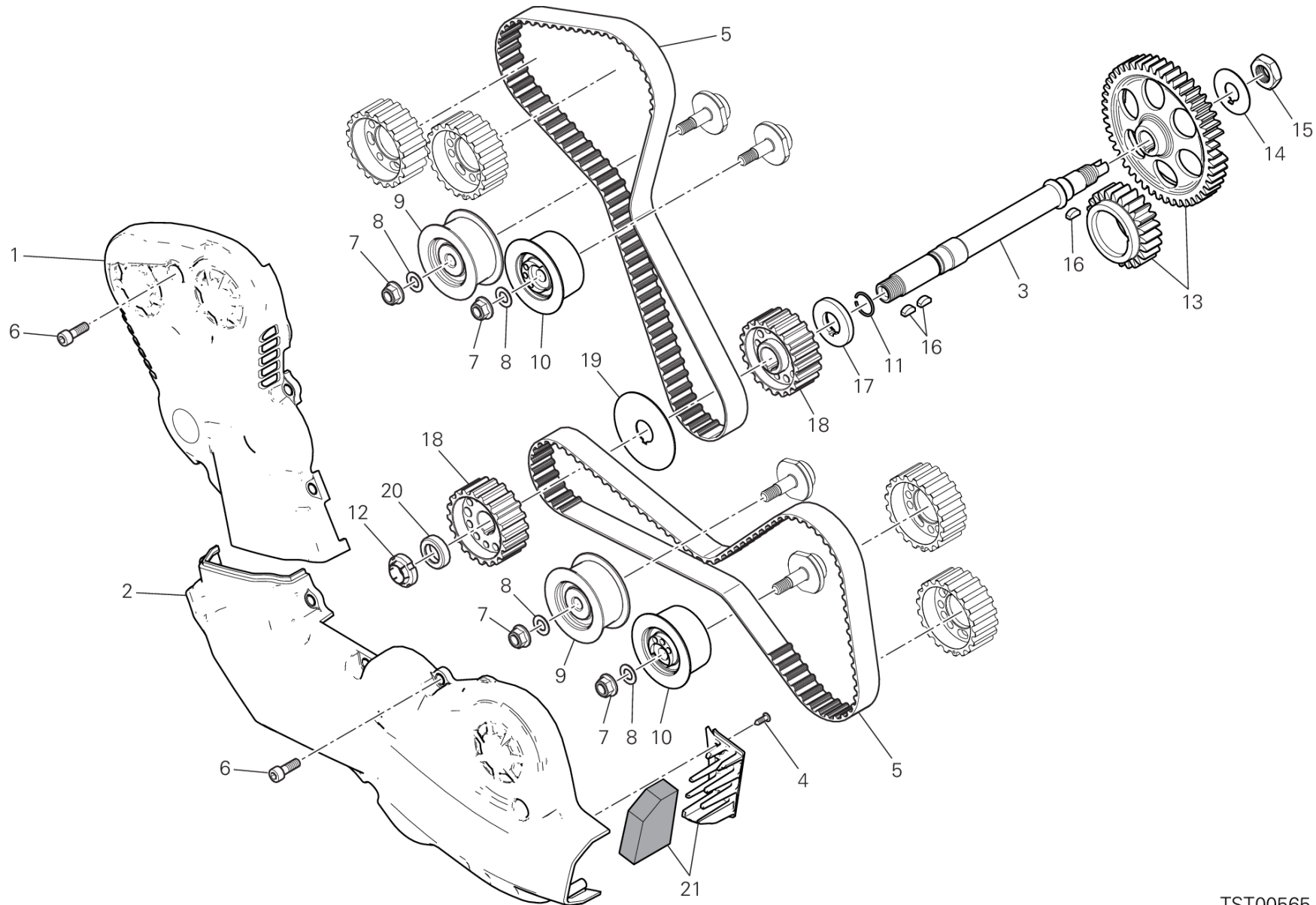
POS.	CODE	DESCRIPTION	QTY	START DATE	END DATE	VALIDITY	NOTES
1	14622271DR	DRIVE SHAFT COMPLETO	1	27/03/2017			
2	77911092A	SCREW, SPECIAL	1	25/09/2012			
3	85213641A	WASHER	1	01/03/2014			
4	78010151D	THREADED PLUG M16X1	1	27/03/2015			
5	15820234A	CONNECTING RODS PAIR	1	25/03/2013			
6	17021351A	PRIMARY DRIVE FRONT SPROCKET	1	02/05/2012			
7	71011691A	SPACER	1	25/03/2013			
8	11210121AB	PLANE BEARING, CONNECTING ROD BLUE	4	25/03/2013			
	11210121AC	PLANE BEARING, CONNECTING ROD YELLOW	4	25/03/2013			
9	77914043B	BOLT, CONNECTING ROD	4	01/01/2011			
10	68010131A	KEY, WOODRUFF 4X5X10	1	25/03/2013			
11	85212881D	SHIM 50X35X2.05	2	25/03/2013			
12	85140051A	LOCK WASHER	1	25/03/2013			
13	75011561A	RING NUT	1	25/03/2013			
14	75011971A	NUT, FLANGE	1	01/03/2014			



IMB00224



POS.	CODE	DESCRIPTION	QTY	START DATE	END DATE	VALIDITY	NOTES
1	12221952A	PISTON ASSY	2	09/09/2014			
2	12112481A	CIRCLIP, PISTON PIN	4	01/10/2010			
3	12110781B	PISTON PIN	2	01/10/2010			
4	12120521A	PISTON RING SET	2	01/10/2010			
5	120Z0131CC	CYLINDER-PISTON FIT HORIZONTAL	1	29/05/2017			
6	79120481C	GASKETS SET	1	10/07/2015			
7	74142581A	CLAMP 16-27 MM	4	25/03/2013			
8	80011851A	HOSE, HORIZONTAL CYLINDER WATER INLET	1	01/03/2014			
9	80012483A	HOSE, VERTICAL CYLINDER WATER INLET	1	10/05/2017			
10	120Z0141CC	CYLINDER-PISTON FIT VERTICAL	1	29/05/2017			
11	78611001A	GASKET, CYLINDER HEAD	2	04/09/2014			
12	71112191A	PIN DOWEL	4	25/03/2013			
13	78610942AA	GASKET, CYLINDER	2	07/07/2015			
14	66810482A	WATER PUMP DELIVERY PIPE UNION	2	09/09/2014			



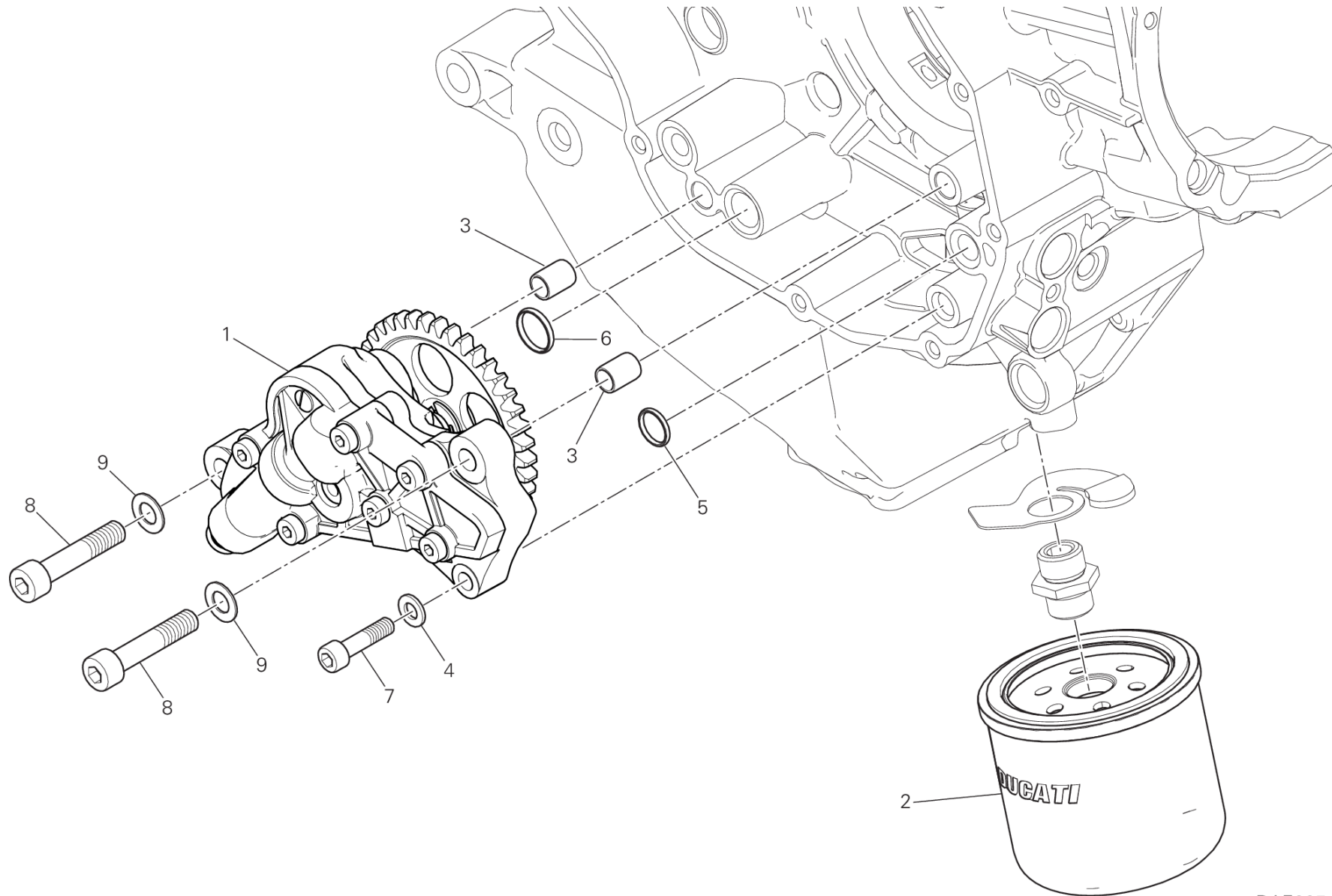
TST00565

DRAWING 008 - TIMING SYSTEM [MOD:M 1200R]

GROUP ENGINE



POS.	CODE	DESCRIPTION	QTY	START DATE	END DATE	VALIDITY	NOTES
1	24511421B	VERTICAL BELT OUTER COVER	1	11/06/2013			
2	24511431A	HORIZONTAL BELT EXTERNAL COVER	1	06/06/2013			
3	14710811A	LAYSHAFT TIMING	1	25/03/2013			
4	77250341C	SCREW	2	30/09/2010			
5	73740252A	TIMING DRIVE TOOTHED BELT	2	19/04/2017			
6	77113801A	SCREW	11	25/03/2013			
7	74940081A	NUT M8	4	25/03/2013			
8	85310021A	SPRING WASHER 8 MM	4	25/03/2013			
9	45120272A	TENSIONER TIMING BELT FIXED	2	25/03/2013			
10	45120291A	COMPLETE MOVABLE TENSIONER ROLLER	2	25/03/2013			
11	88210031A	SNAP RING	1	25/03/2013			
12	70350062A	ELASTIC-STOP RING NUT	1	06/03/2015			
13	17122371A	TIMING GEARS SET	1	04/09/2014			
14	85110131A	WASHER, LOCK	1	25/03/2013			
15	75011601A	NUT M14X1X7	1	25/03/2013			
16	68010131A	KEY, WOODRUFF 4X5X10	3	25/03/2013			
17	71611281A	SPACER	1	25/03/2013			
18	25510104B	PULLEY, TIMING BELT	2	25/03/2013			
19	85610623A	WASHER, BELT PULLEY	1	25/03/2013			
20	71610722A	SPACER	1	25/03/2013			
21	24521071A	BRACKET, FILTER	1	24/12/2009			



RAF00547

DRAWING 009 - FILTERS AND OIL PUMP [MOD:M 1200R]

GROUP ENGINE

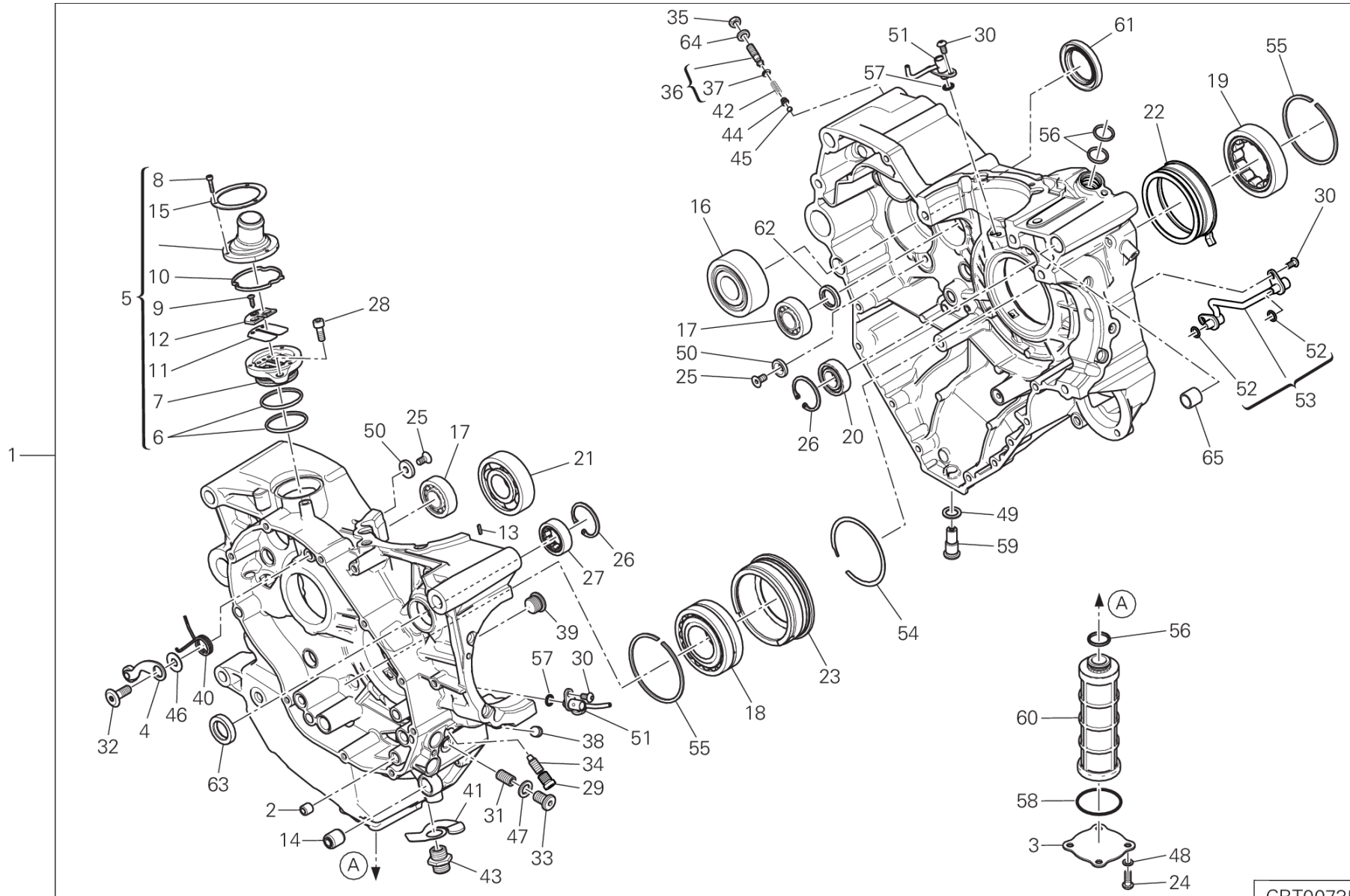


POS.	CODE	DESCRIPTION	QTY	START DATE	END DATE	VALIDITY	NOTES
1	17420382D	OIL PUMP ASSY	1	02/03/2016			
2	44440038A	FILTER, OIL	1	25/03/2013			
3	075949280	LOCATING DOWEL	2	21/03/2013			
4	85310041A	SPRING WASHER 6 MM	1	21/03/2013			
5	88641321A	O-RING 11.11X1.78	1	21/03/2013			
6	88640371A	O-RING 14X1.78	1	21/03/2013			
7	77110518B	SCREW TCEI M6X25	1	02/03/2016			
8	77151298B	SCREW TCEI M8X40	2	21/03/2013			
9	85310021A	SPRING WASHER 8 MM	2	21/03/2013			



DRAWING 010 - HALF-CRANKCASES PAIR [MOD:M 1200R]

GROUP ENGINE



CRT00735

DRAWING 010 - HALF-CRANKCASES PAIR [MOD:M 1200R]

GROUP ENGINE

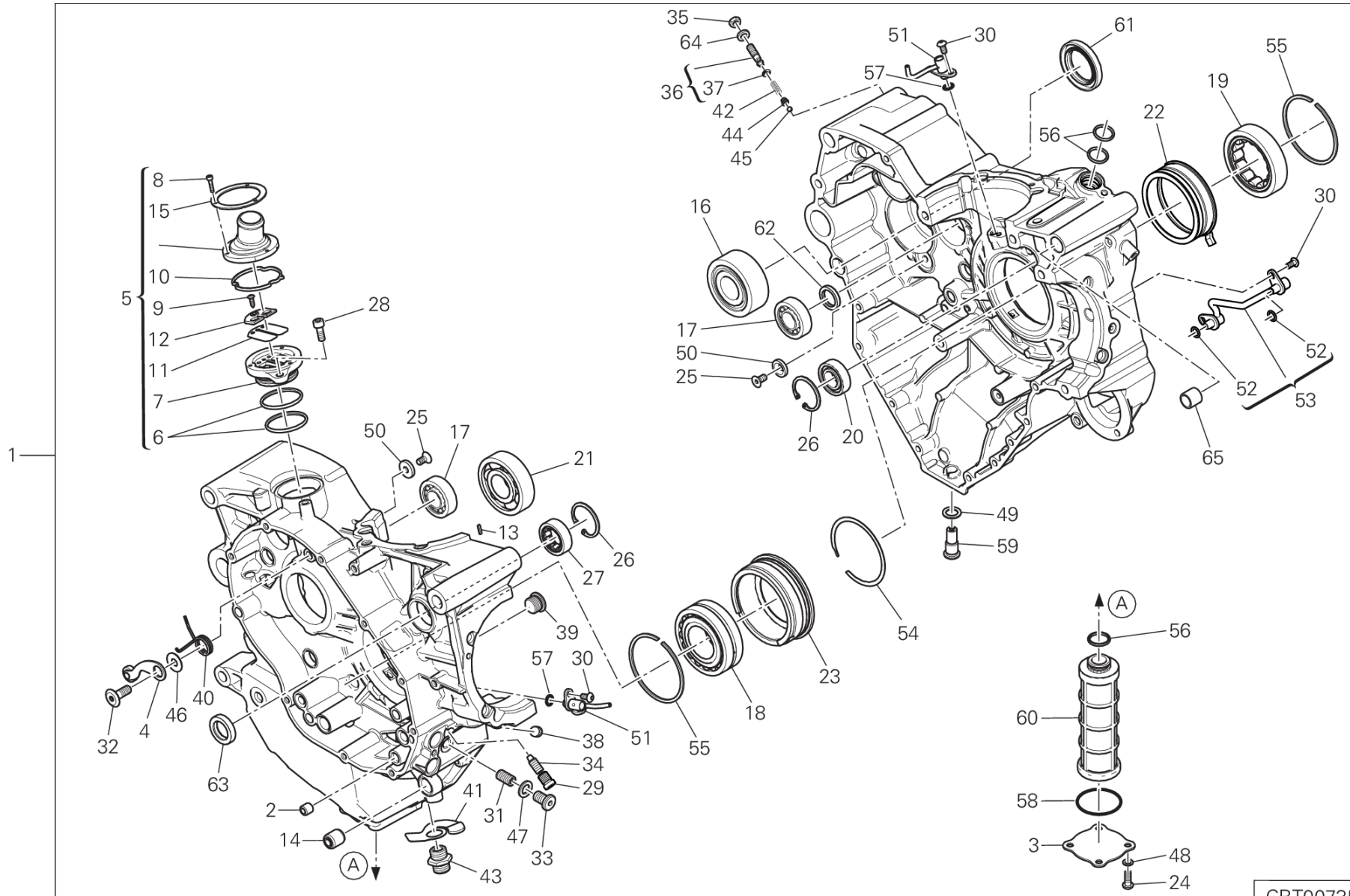


POS.	CODE	DESCRIPTION	QTY	START DATE	END DATE	VALIDITY	NOTES
1	22523402A	COMPLETE HALF-CRANKCASES PAIR	1	23/03/2017			
2	067049310	BUSH	1	08/01/2015			
3	24713511C	FILTER COVER UNIT	1	08/01/2015			
4	45520181A	GEAR FIXING CLICK ASSEMBLY	1	08/01/2015			
5	59320581B	VALVE, BREATHER	1	26/06/2015			
6	46320222A	O-RING	2	06/07/2012			
7	59310601B	HOLDER READ VALVE	1	06/07/2012			
8	77150078B	SCREW	3	06/07/2012			
9	77250341B	SCREW, TAPPING 3.5X12	1	06/07/2012			
10	78811151A	GASKET	1	06/07/2012			
11	81110021A	REED VALVE ASSY	1	06/07/2012			
12	82716031A	SPACER	1	06/07/2012			
13	68050101A	KEY 2X2X10	1	08/01/2015			
14	70010362A	DAMPER	1	08/01/2015			
15	85213011A	RING	1	15/10/2010			
16	70240131A	BEARING	1	08/01/2015			
17	70240331A	BEARING 17X40X12	2	08/01/2015			
18	70241151A	BEARING	1	01/03/2014			
19	70241161A	BEARING	1	26/06/2015			
20	70250081A	BALL BEARING 6003 TN9 C3	1	08/01/2015			
21	70250193A	BEARING	1	08/01/2015			
22	71011991B	BUSHING	1	26/06/2015			
23	71020041A	BUSHING	1	26/06/2015			
24	72050338B	SCREW	4	08/01/2015			
25	720941616	SCREW TSPEI M6X12	4	08/01/2015			
26	735033380	CIRCLIP	2	08/01/2015			
27	757941542	BEARING	1	08/01/2015			
28	77150653B	SCREW TCEI M6X16 UNI5931 8.8	1	08/01/2015			
29	77350618B	SCREW TCEIR M6X8	1	08/01/2015			
30	77510311B	SCREW TBEI M5X10	4	08/01/2015			
31	77840041A	THREADED DOWEL M10X1	1	08/01/2015			
32	77910391A	SCREW M8X21.5	1	08/01/2015			
33	77911622A	SCREW TCEI M10X1.5X16	1	08/01/2015			
34	77917101B	SCREW, SPECIAL	1	08/01/2015			
35	74710151A	NUT	1	08/01/2015			



DRAWING 010 - HALF-CRANKCASES PAIR [MOD:M 1200R]

GROUP ENGINE



CRT00735

DRAWING 010 - HALF-CRANKCASES PAIR [MOD:M 1200R]

GROUP ENGINE

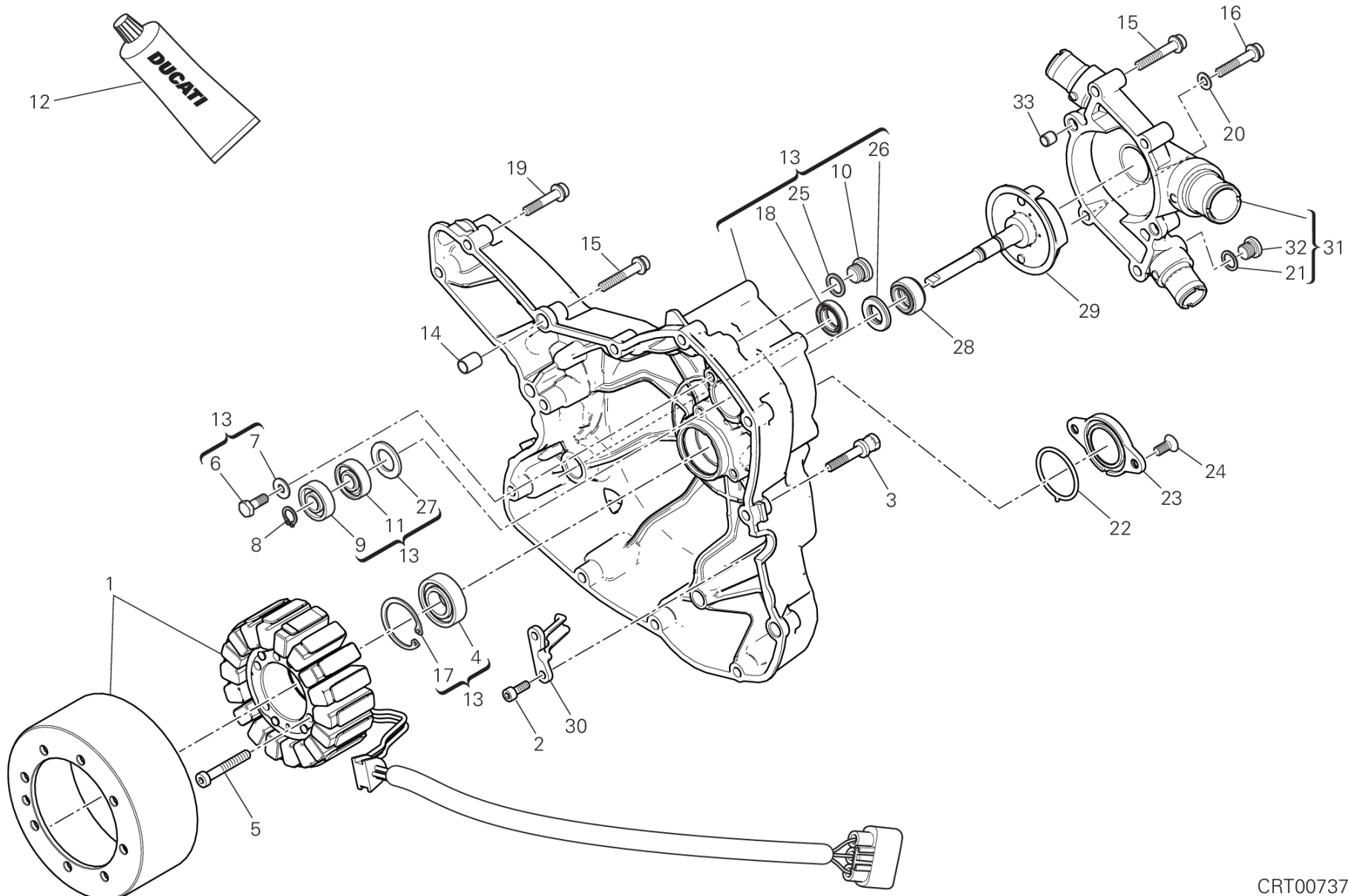


POS.	CODE	DESCRIPTION	QTY	START DATE	END DATE	VALIDITY	NOTES
36	77927171A	SCREW	1	08/01/2015			
37	88641961A	O-RING	1	18/04/2011			
38	77950621A	THREADED DOWEL M10X1	1	08/01/2015			
39	78010721A	PLUG BY-PASS M16X1.5	1	08/01/2015			
40	79910491A	SPRING, RETURN	1	08/01/2015			
41	79920772A	BYPASS SPRING	1	08/01/2015			
42	79940171A	SPRING	1	08/01/2015			
43	81510281A	BOLT UNION	1	08/01/2015			
44	83110151A	PLATE	1	26/06/2015			
45	84740061A	BALL	1	08/01/2015			
46	85210532A	WASHER 8.2X20X1	1	08/01/2015			
47	85211951A	GASKET 10.5X17X2	1	08/01/2015			
48	85250231A	GASKET	4	08/01/2015			
49	85250421A	COPPER GASKET 12.2X18X1.5 MM	1	08/01/2015			
50	85611481A	WASHER	4	08/01/2015			
51	87512131A	JET	2	08/01/2015			
52	88641181A	O-RING	2	08/01/2015			
53	87522391A	HOSE, OIL (Unit)	1	26/06/2015			
54	88440651A	SPRING RING	1	08/01/2015			
55	88450581A	SPRING RING	2	08/01/2015			
56	88640331A	O-RING 17.96X2.62	3	08/01/2015			
57	88650131A	O-RING 3.68X1.78	2	26/06/2015			
58	88641581A	O-RING	1	08/01/2015			
59	89320062A	PLUG, OIL DRAIN	1	08/01/2015			
60	89410241A	OIL NET FILTER	1	08/01/2015			
61	93040221A	SEAL, OIL 35X52X7	1	08/01/2015			
62	93040931A	SEAL, OIL 17X25X4	1	08/01/2015			
63	93041631B	SEAL RING	1	08/01/2015			
64	85640141A	WASHER	1	27/03/2015			
65	71110951A	PIN DOWEL	2	08/01/2015			



DRAWING 011 - WATER PUMP-ALTR-SIDE CRNKCASE COVER [MOD:M 1200R]

GROUP ENGINE



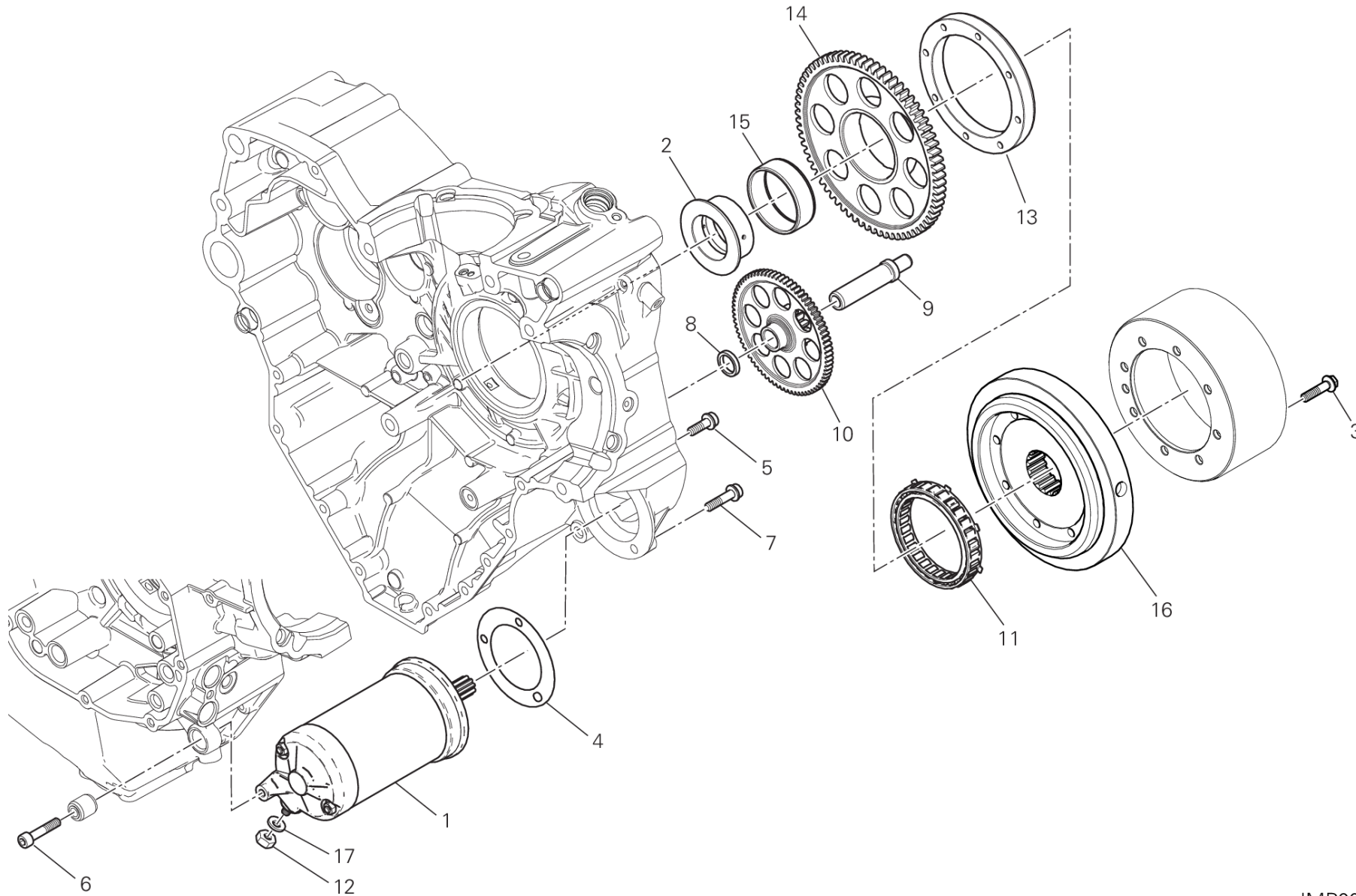
CRT00737

DRAWING 011 - WATER PUMP-ALTR-SIDE CRNKCE COVER [MOD:M 1200R]

GROUP ENGINE



POS.	CODE	DESCRIPTION	QTY	START DATE	END DATE	VALIDITY	NOTES
1	26420501A	GENERATOR "FERRITE"	1	20/06/2013			
2	77150408B	SCREW TCEI M5X14	2	06/06/2012			
3	77916311A	SCREW, SPECIAL	2	08/03/2013			
4	70250081A	BALL BEARING 6003 TN9 C3	1	01/05/2010			
5	77350738B	SCREW	3	05/05/2015			
6	77052508B	SCREW TE M6X16	2	01/05/2010			
7	85211721A	WASHER 6X14.2X1.3	2	01/05/2010			
8	88450431A	CIRCLIP	1	01/05/2010			
9	70240102A	BEARING	1	01/05/2010			
10	77910262A	SCREW M12X1	1				
11	70240091A	BALL BEARING 6000	1	01/05/2010			
12	942470014	LIQUID GASKET	1	20/02/2012			
13	24221311A	COMPLETE GENERATOR COVER	1	19/05/2015			
14	71111601A	PIN DOWEL	2	20/02/2012			
15	77140723C	SCREW TCEIF M6X35 10.9	6	27/02/2012			
16	77113961A	SCREW	2	20/02/2012			
17	735033380	CIRCLIP	1	06/06/2012			
18	937831524	SEAL, OIL 15X24X6	1	18/04/2012			
19	77140713C	SCREW TCEIF M6X30 10.9	9	20/02/2012			
20	85250481A	GASKET 6X12X1 DIN7603-A	2	06/06/2012			
21	85250241A	WASHER 10X14X1	1	06/06/2012			
22	88610951A	O-RING 32.99X2.62	1	20/02/2012			
23	24713571AE	COVER	1	19/05/2015			
24	77750493C	SCREW	2	20/02/2012			
25	85250261A	GASKET, ALUMINIUM 12X16X1.5	1	06/06/2012			
26	93050051A	MECHANICAL SEAL	1	06/06/2012			
27	71311281B	SPACER	1	06/06/2012			
28	93050062B	MECHANICAL SEAL	1	06/06/2012			
29	25120131A	WATER PUMP ROTOR	1	06/06/2012			
30	83015581B	BRACKET	1	06/06/2012			
31	24724481AF	COMPLETE WATER PUMP COVER	1	05/05/2015			
32	78050012A	PLUG, THREADED M10X1	1	06/06/2012			
33	71110922A	BUSH	2	06/06/2012			



IMP00977

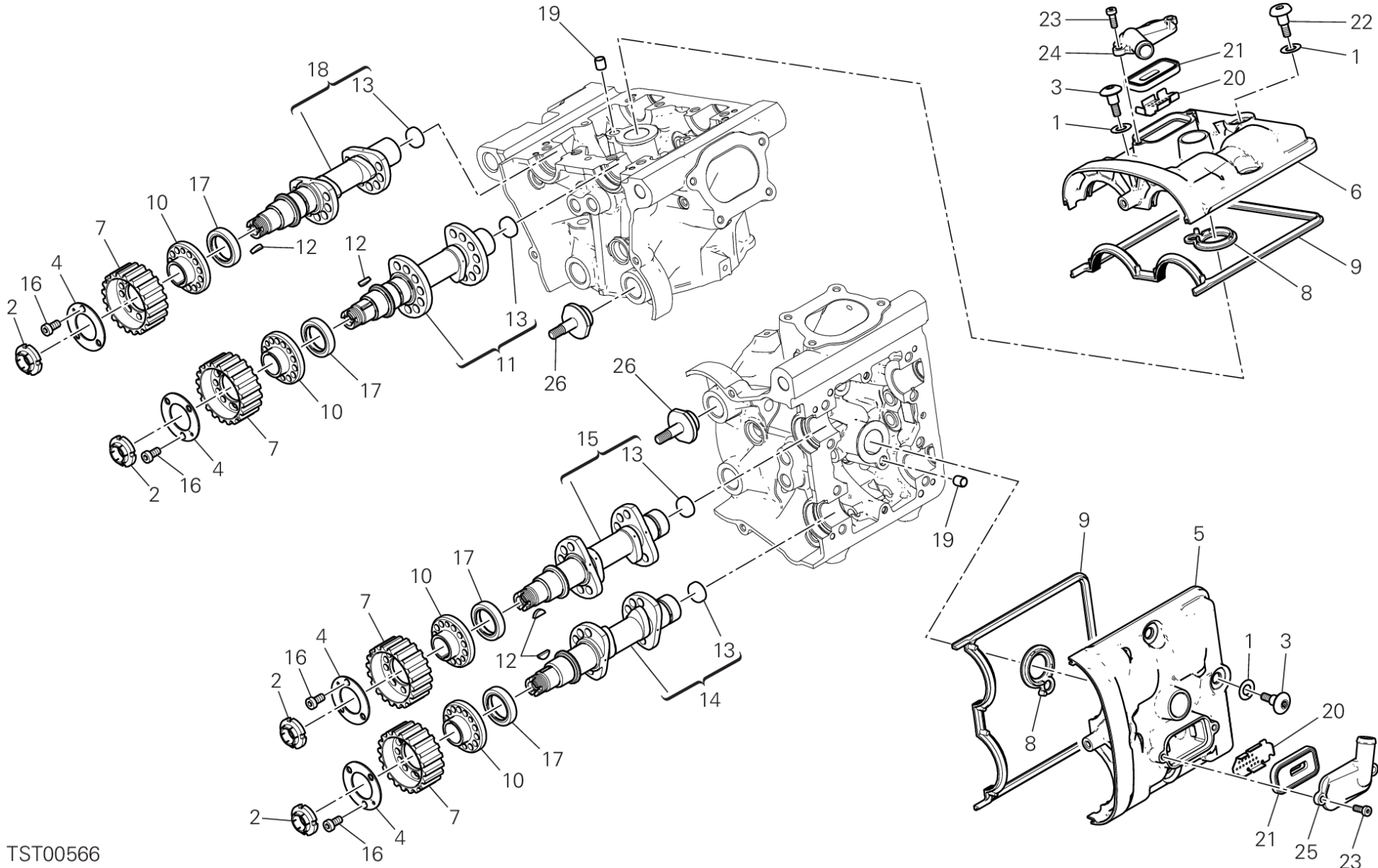


POS.	CODE	DESCRIPTION	QTY	START DATE	END DATE	VALIDITY	NOTES
1	27040106A	STARTING MOTOR	1	12/09/2012			
2	88110921A	INNER RING	1	04/09/2014			
3	77253330ZF	SCREW	8	07/05/2014			
4	78810542A	ENGINE STARTER GASKET	1	20/02/2012			
5	77140677CF	SCREW TCEIF M6X20	2	16/03/2015			
6	77110521A	SCREW TCEI M6X30	1	20/02/2012			
7	77140697CF	SCREW 6x25	1	16/03/2015			
8	71319191A	SPACER	1	20/02/2012			
9	82113471A	STARTER REDUCTION SHAFT	1	20/02/2012			
10	176Z0021A	IDLE GEAR T74/13	1	20/02/2012			
11	70140541A	CLUTCH, ONE WAY	1	03/05/2017			
12	75050051A	NUT 6MM	1	16/03/2015			
13	16012121B	FLANGE STARTING CLUTCH	1	03/05/2017			
14	17310351A	DRIVEN GEAR	1	03/05/2017			
15	70241461A	NEEDLE CAGE	1	04/09/2014			
16	27611161A	COUPLING, FLYWHEEL	1	30/04/2015			
17	85350101A	WASHER, SPRING	1	16/03/2015			



DRAWING 013 - CYLINDER HEAD : TIMING SYSTEM [MOD:M 1200R]

GROUP ENGINE



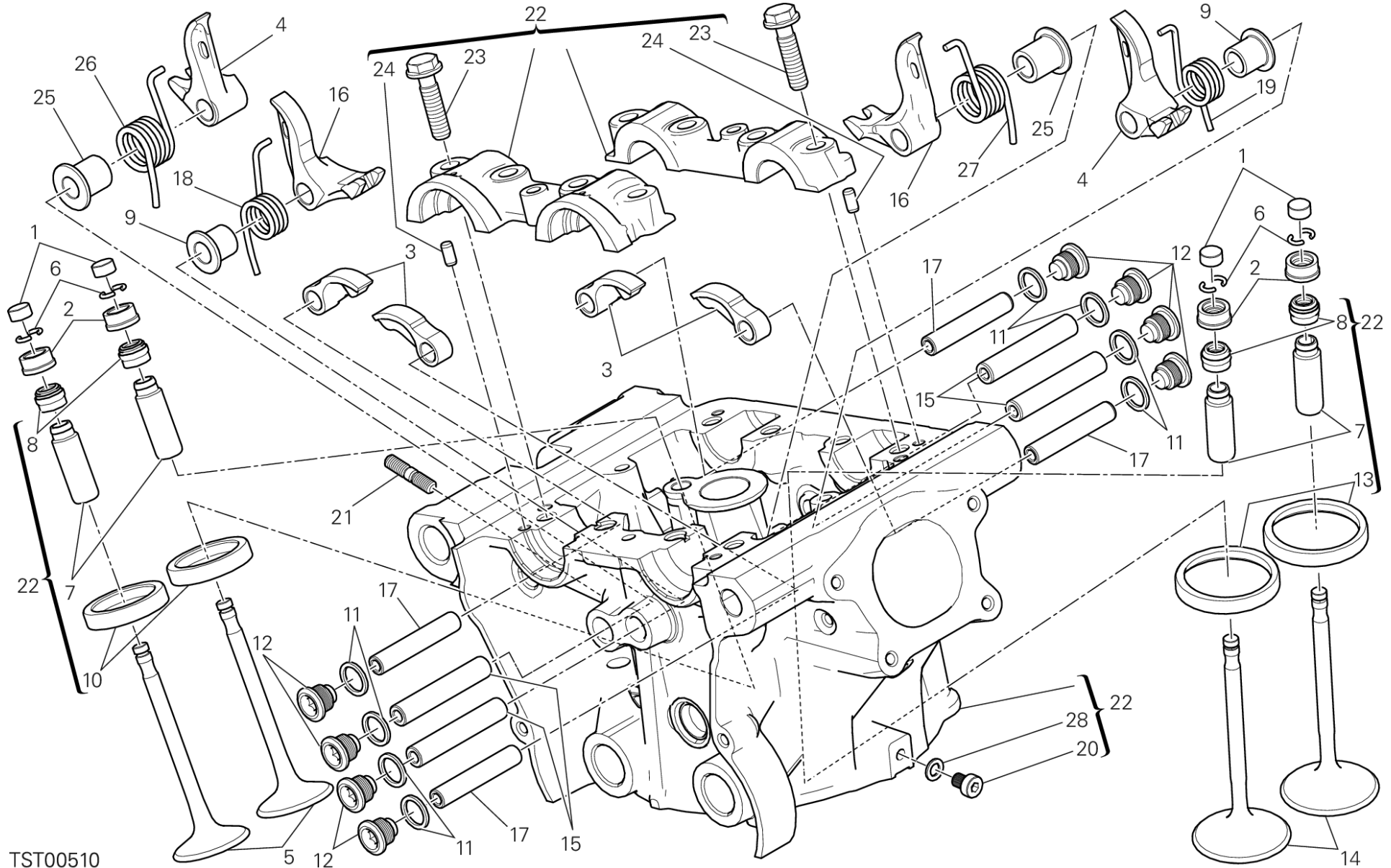
TST00566

DRAWING 013 - CYLINDER HEAD : TIMING SYSTEM [MOD:M 1200R]

GROUP ENGINE



POS.	CODE	DESCRIPTION	QTY	START DATE	END DATE	VALIDITY	NOTES
1	88650511A	O-RING 12.39X3.53	8	07/12/2012			
2	70350022A	RING NUT M17X1	4	07/12/2012			
3	77915093A	SCREW, SPECIAL	5	07/12/2012			
4	85610743A	WASHER, SPECIAL	4	07/12/2012			
5	24714141AC	COVER CYLINDER HEAD, HORIZONTAL	1	31/05/2013			
6	24714151AC	COVER CYLINDER HEAD, VERTICAL	1	31/05/2013			
7	25510193A	TIMING BELT PULLEY, DRIVEN T20	4	07/12/2012			
8	78811211A	GASKET	2	07/12/2012			
9	78810931A	GASKET CYLINDER HEAD COVER	2	07/12/2012			
10	16010941A	FLANGE	4	07/12/2012			
11	14823431B	VERTICAL INTAKE CAMSHAFT	1	07/12/2012			
12	68050061A	WOODRUFF KEY 3X5	4	07/12/2012			
13	87310051A	PLUG 18 MM	4	24/12/2009			
14	14823441B	HORIZONTAL EXHAUST CAMSHAFT	1	07/12/2012			
15	14823421B	HORIZONTAL INTAKE CAMSHAFT	1	07/12/2012			
16	77950302A	SCREW TC M6X12	12	07/12/2012			
17	93050072A	SEAL RING	4	07/12/2012			
18	14823451B	VERTICAL EXHAUST CAMSHAFT	1	07/12/2012			
19	71113741A	BUSH	2	07/12/2012			
20	82716351A	PLATE	2	07/12/2012			
21	81140012B	VALVE	2	07/12/2012			
22	77918141A	SCREW, SPECIAL	3	11/06/2013			
23	77350403B	SCREW	4	07/12/2012			
24	24714171A	COVER VERTICAL	1	07/12/2012			
25	24714891A	COVER HORIZONTAL	1	06/03/2015			
26	45110462A	MOVABLE TENSIONER ROLLER PIN	4	08/04/2015			



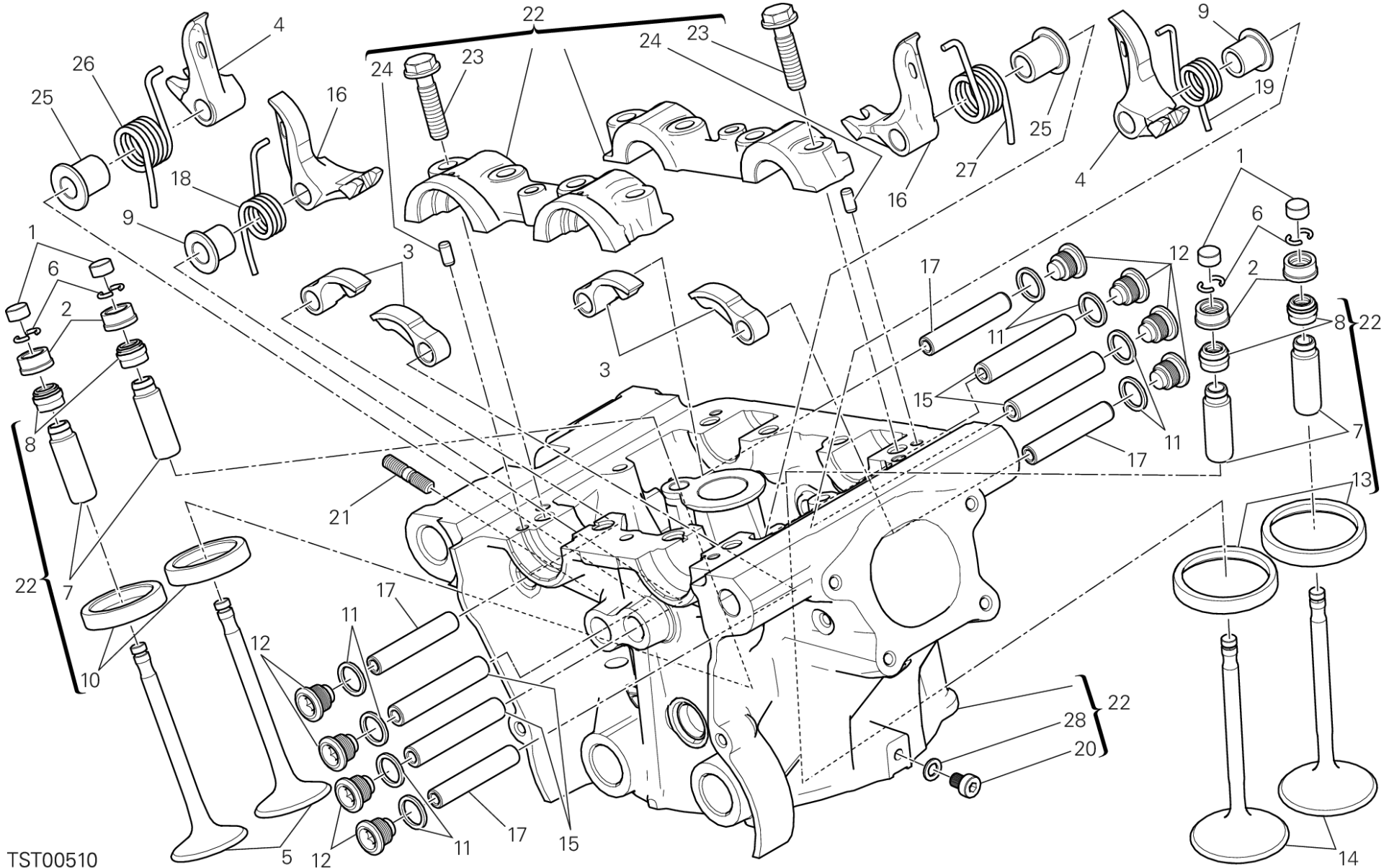
TST00510

DRAWING 014 - VERTICAL HEAD [MOD:M 1200R]

GROUP ENGINE



POS.	CODE	DESCRIPTION	QTY	START DATE	END DATE	VALIDITY	NOTES
1	84010012A	ADJUSTER, OPENING ROCKER ARM 2.00 MM	4	20/06/2012			
	84010022A	ADJUSTER, OPENING ROCKER ARM 2.05 MM	4	20/06/2012			
	84010032A	ADJUSTER, OPENING ROCKER ARM 2.10 MM	4	20/06/2012			
	84010042A	ADJUSTER, OPENING ROCKER ARM 2.15 MM	4	20/06/2012			
	84010052A	ADJUSTER, OPENING ROCKER ARM 2.20 MM	4	20/06/2012			
	84010062A	ADJUSTER, OPENING ROCKER ARM 2.25 MM	4	20/06/2012			
	84010072A	ADJUSTER, OPENING ROCKER ARM 2.30 MM	4	20/06/2012			
	84010082A	ADJUSTER, OPENING ROCKER ARM 2.35 MM	4	20/06/2012			
	84010092A	ADJUSTER, OPENING ROCKER ARM 2.40 MM	4	20/06/2012			
	84010102A	ADJUSTER, OPENING ROCKER ARM 2.45 MM	4	20/06/2012			
	84010112A	ADJUSTER, OPENING ROCKER ARM 2.50 MM	4	20/06/2012			
	84010122A	ADJUSTER, OPENING ROCKER ARM 2.55 MM	4	20/06/2012			
	84010132A	ADJUSTER, OPENING ROCKER ARM 2.60 MM	4	20/06/2012			
	84010142A	ADJUSTER, OPENING ROCKER ARM 2.65 MM	4	20/06/2012			
	84010152A	ADJUSTER, OPENING ROCKER ARM 2.70 MM	4	20/06/2012			
	84010162A	ADJUSTER, OPENING ROCKER ARM 2.75 MM	4	20/06/2012			
	84010172A	ADJUSTER, OPENING ROCKER ARM 2.80 MM	4	20/06/2012			
	84010182A	ADJUSTER, OPENING ROCKER ARM 2.85 MM	4	20/06/2012			
	84010192A	ADJUSTER, OPENING ROCKER ARM 2.90 MM	4	20/06/2012			
	84010202A	ADJUSTER, OPENING ROCKER ARM 2.95 MM	4	20/06/2012			
	84010212A	ADJUSTER, OPENING ROCKER ARM 3.00 MM	4	20/06/2012			
	84010222A	ADJUSTER, OPENING ROCKER ARM 3.05 MM	4	20/06/2012			
	84010232A	ADJUSTER, OPENING ROCKER ARM 3.10 MM	4	20/06/2012			
	84010242A	ADJUSTER, OPENING ROCKER ARM 3.15 MM	4	20/06/2012			
	84010252A	ADJUSTER, OPENING ROCKER ARM 3.20 MM	4	20/06/2012			
	84010262A	ADJUSTER, OPENING ROCKER ARM 3.25 MM	4	20/06/2012			
	84010272A	ADJUSTER, OPENING ROCKER ARM 3.30 MM	4	20/06/2012			
	84010282A	ADJUSTER, OPENING ROCKER ARM 3.35 MM	4	20/06/2012			
	84010292A	ADJUSTER, OPENING ROCKER ARM 3.40 MM	4	20/06/2012			
	84010302A	ADJUSTER, OPENING ROCKER ARM 3.45 MM	4	20/06/2012			
	84010312A	ADJUSTER, OPENING ROCKER ARM 1.80 MM	4	20/06/2012			
	84010322A	ADJUSTER, OPENING ROCKER ARM 1.85 MM	4	20/06/2012			
	84010332A	ADJUSTER, OPENING ROCKER ARM 1.90 MM	4	20/06/2012			
	84010342A	ADJUSTER, OPENING ROCKER ARM 1.95 MM	4	20/06/2012			
	84010722A	ADJUSTER, OPENING ROCKER ARM 3.60 MM	4	20/06/2012			



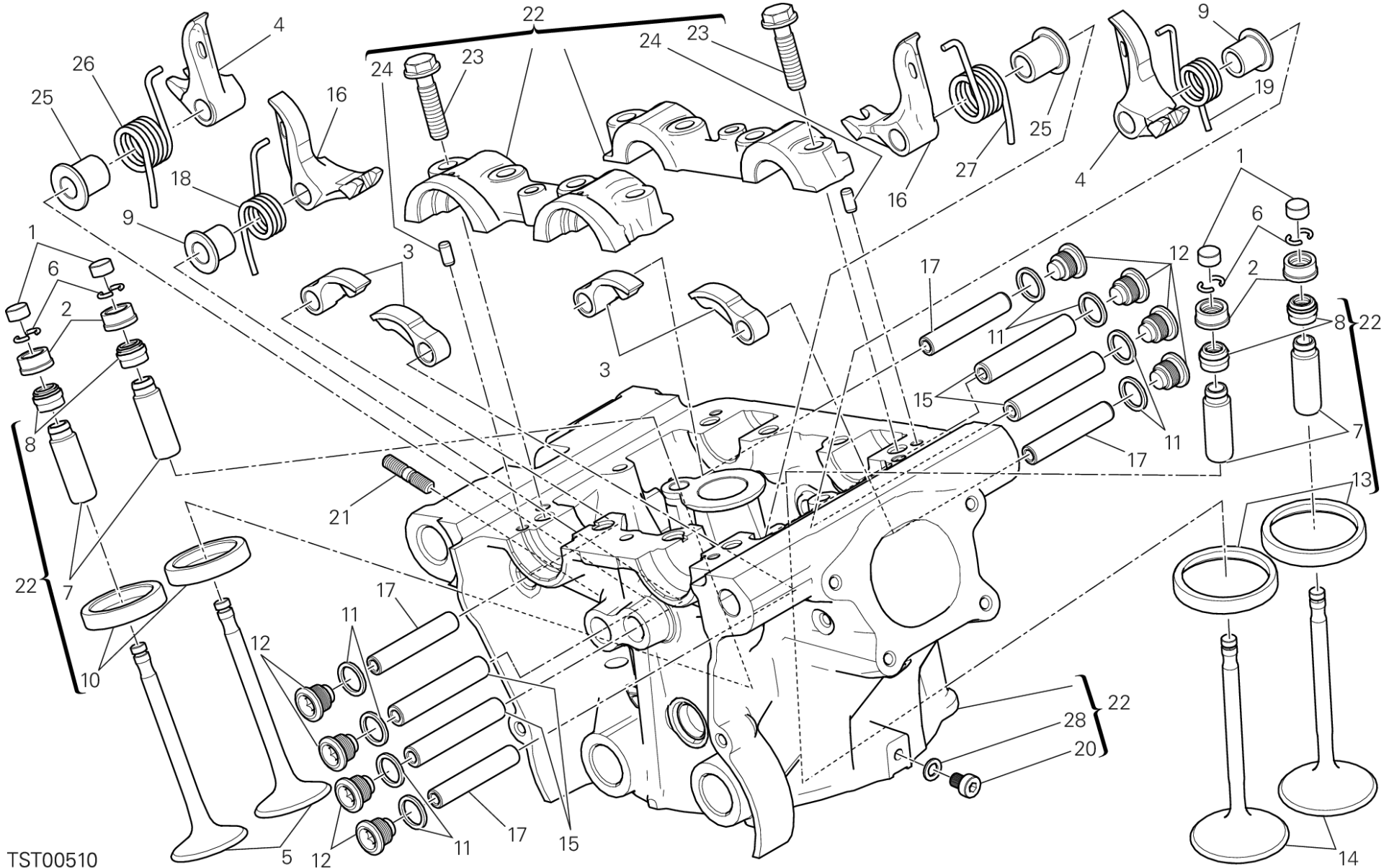
TST00510

DRAWING 014 - VERTICAL HEAD [MOD:M 1200R]

GROUP ENGINE



POS.	CODE	DESCRIPTION	QTY	START DATE	END DATE	VALIDITY	NOTES
	84010732A	ADJUSTER, OPENING ROCKER ARM 3.80 MM	4	20/06/2012			
	84011082A	ADJUSTER, OPENING ROCKER ARM 3.50 MM	4	20/06/2012			
	84011092A	ADJUSTER, OPENING ROCKER ARM 3.55 MM	4	20/06/2012			
	84011102A	ADJUSTER, OPENING ROCKER ARM 3.65 MM	4	20/06/2012			
	84011112A	ADJUSTER, OPENING ROCKER ARM 3.70 MM	4	20/06/2012			
	84011122A	ADJUSTER, OPENING ROCKER ARM 3.75 MM	4	20/06/2012			
	84011132A	ADJUSTER, OPENING ROCKER ARM 3.85 MM	4	20/06/2012			
	84011142A	ADJUSTER, OPENING ROCKER ARM 3.9 MM	4	20/06/2012			
2	84010412B	ADJUSTER, CLOSING ROCKER ARM 2.20 MM	4	24/12/2009			
	84010422B	ADJUSTER, CLOSING ROCKER ARM 2.25 MM	4	24/12/2009			
	84010432B	ADJUSTER, CLOSING ROCKER ARM 2.30 MM	4	24/12/2009			
	84010442B	ADJUSTER, CLOSING ROCKER ARM 2.35 MM	4	24/12/2009			
	84010452B	ADJUSTER, CLOSING ROCKER ARM 2.40 MM	4	24/12/2009			
	84010462B	ADJUSTER, CLOSING ROCKER ARM 2.45 MM	4	24/12/2009			
	84010472B	ADJUSTER, CLOSING ROCKER ARM 2.50 MM	4	24/12/2009			
	84010482B	ADJUSTER, CLOSING ROCKER ARM 2.55 MM	4	24/12/2009			
	84010492B	ADJUSTER, CLOSING ROCKER ARM 2.60 MM	4	24/12/2009			
	84010502B	ADJUSTER, CLOSING ROCKER ARM 2.65 MM	4	24/12/2009			
	84010512B	ADJUSTER, CLOSING ROCKER ARM 2.70 MM	4	24/12/2009			
	84010522B	ADJUSTER, CLOSING ROCKER ARM 2.75 MM	4	24/12/2009			
	84010532B	ADJUSTER, CLOSING ROCKER ARM 2.80 MM	4	24/12/2009			
	84010542B	ADJUSTER, CLOSING ROCKER ARM 2.85 MM	4	24/12/2009			
	84010552B	ADJUSTER, CLOSING ROCKER ARM 2.90 MM	4	24/12/2009			
	84010562B	ADJUSTER, CLOSING ROCKER ARM 2.95 MM	4	24/12/2009			
	84010572B	ADJUSTER, CLOSING ROCKER ARM 3.00 MM	4	24/12/2009			
	84010582B	ADJUSTER, CLOSING ROCKER ARM 3.05 MM	4	24/12/2009			
	84010592B	ADJUSTER, CLOSING ROCKER ARM 3.10 MM	4	24/12/2009			
	84010602B	ADJUSTER, CLOSING ROCKER ARM 3.15 MM	4	24/12/2009			
	84010612B	ADJUSTER, CLOSING ROCKER ARM 3.20 MM	4	24/12/2009			
	84010622B	ADJUSTER, CLOSING ROCKER ARM 3.25 MM	4	24/12/2009			
	84010632B	ADJUSTER, CLOSING ROCKER ARM 3.30 MM	4	24/12/2009			
	84010642B	ADJUSTER, CLOSING ROCKER ARM 3.35 MM	4	24/12/2009			
	84010652B	ADJUSTER, CLOSING ROCKER ARM 3.40 MM	4	24/12/2009			
	84010662B	ADJUSTER, CLOSING ROCKER ARM 3.45 MM	4	24/12/2009			
	84010672B	ADJUSTER, CLOSING ROCKER ARM 3.50 MM	4	24/12/2009			



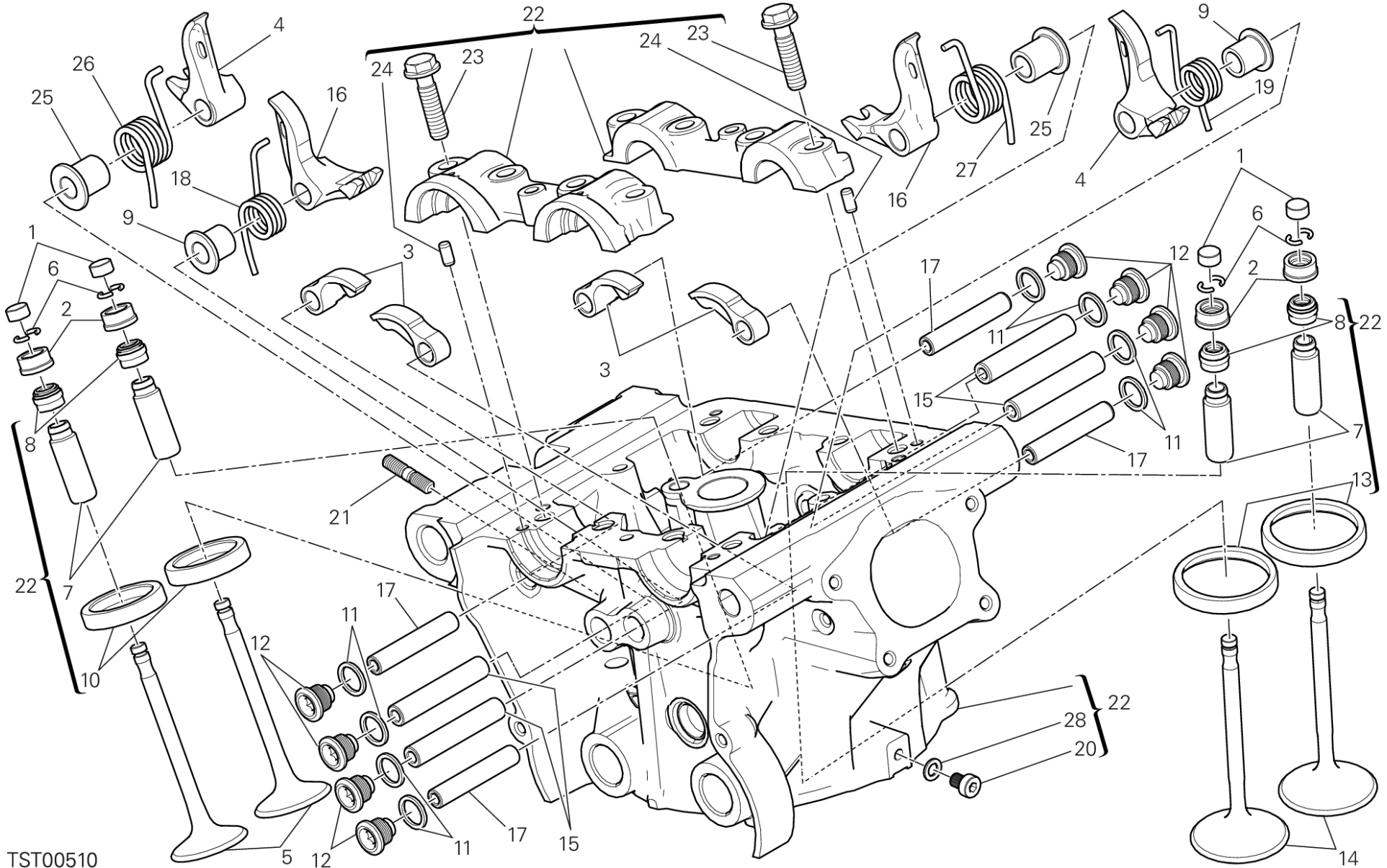
TST00510

DRAWING 014 - VERTICAL HEAD [MOD:M 1200R]

GROUP ENGINE



POS.	CODE	DESCRIPTION	QTY	START DATE	END DATE	VALIDITY	NOTES
	84010682B	ADJUSTER, CLOSING ROCKER ARM 3.55 MM	4	24/12/2009			
	84010692B	ADJUSTER, CLOSING ROCKER ARM 3.60 MM	4	24/12/2009			
	84010702B	ADJUSTER, CLOSING ROCKER ARM 3.65 MM	4	24/12/2009			
	84010712B	ADJUSTER, CLOSING ROCKER ARM 3.70 MM	4	24/12/2009			
	84010722B	ADJUSTER, CLOSING ROCKER ARM 3.75 MM	4	24/12/2009			
	84010732B	ADJUSTER, CLOSING ROCKER ARM 3.80 MM	4	24/12/2009			
	84010742B	ADJUSTER, CLOSING ROCKER ARM 3.85 MM	4	24/12/2009			
	84010752B	ADJUSTER, CLOSING ROCKER ARM 3.90 MM	4	24/12/2009			
	84010762B	ADJUSTER, CLOSING ROCKER ARM 3.95 MM	4	24/12/2009			
	84010772B	ADJUSTER, CLOSING ROCKER ARM 4.00 MM	4	24/12/2009			
	84010782B	ADJUSTER, CLOSING ROCKER ARM 4.05 MM	4	24/12/2009			
	84010792B	ADJUSTER, CLOSING ROCKER ARM 4.10 MM	4	24/12/2009			
	84010802B	ADJUSTER, CLOSING ROCKER ARM 4.15 MM	4	24/12/2009			
	84010812B	ADJUSTER, CLOSING ROCKER ARM 4.20 MM	4	24/12/2009			
	84010822B	ADJUSTER, CLOSING ROCKER ARM 4.25 MM	4	24/12/2009			
	84010832B	ADJUSTER, CLOSING ROCKER ARM 4.30 MM	4	24/12/2009			
	84010842B	ADJUSTER, CLOSING ROCKER ARM 4.35 MM	4	24/12/2009			
	84010852B	ADJUSTER, CLOSING ROCKER ARM 4.40 MM	4	24/12/2009			
	84010862B	ADJUSTER, CLOSING ROCKER ARM 4.45 MM	4	24/12/2009			
	84010872B	ADJUSTER, CLOSING ROCKER ARM 4.50 MM	4	24/12/2009			
3	20810321A	OPEN. ROCKER ARM	4	07/12/2012			
4	20910501A	CLOSING ROCKER ARM LEFT	2	07/12/2012			
5	21110831B	EXHAUST VALVE	2	07/12/2012			
6	66910011E	C RING	8	07/12/2012			
7	30310631BB	GUIDE, VALVE OVERSIZED 0.03 MM	4	21/03/2013			
	30310631BC	GUIDE, VALVE OVERSIZED 0.06 MM	4	25/03/2013			
	30310631BD	GUIDE, VALVE OVERSIZED 0.09 MM	4	21/03/2013			
8	76440572A	SEAL VALVE STEM	4	06/03/2015			
9	71312921A	SPACER	2	07/12/2012			
10	30410891AB	SEAT, EXHAUST VALVE +0.03 MM	2	25/03/2013			
	30410891AC	SEAT, EXHAUST VALVE +0.06 MM	2	25/03/2013			
11	85250261B	GASKET	8	07/12/2012			
12	78010511E	PLUG	8	07/12/2012			
13	30410881AB	SEAT, INLET VALVE +0.03 MM	2	25/03/2013			
	30410881AC	SEAT, INLET VALVE +0.06 MM	2	25/03/2013			



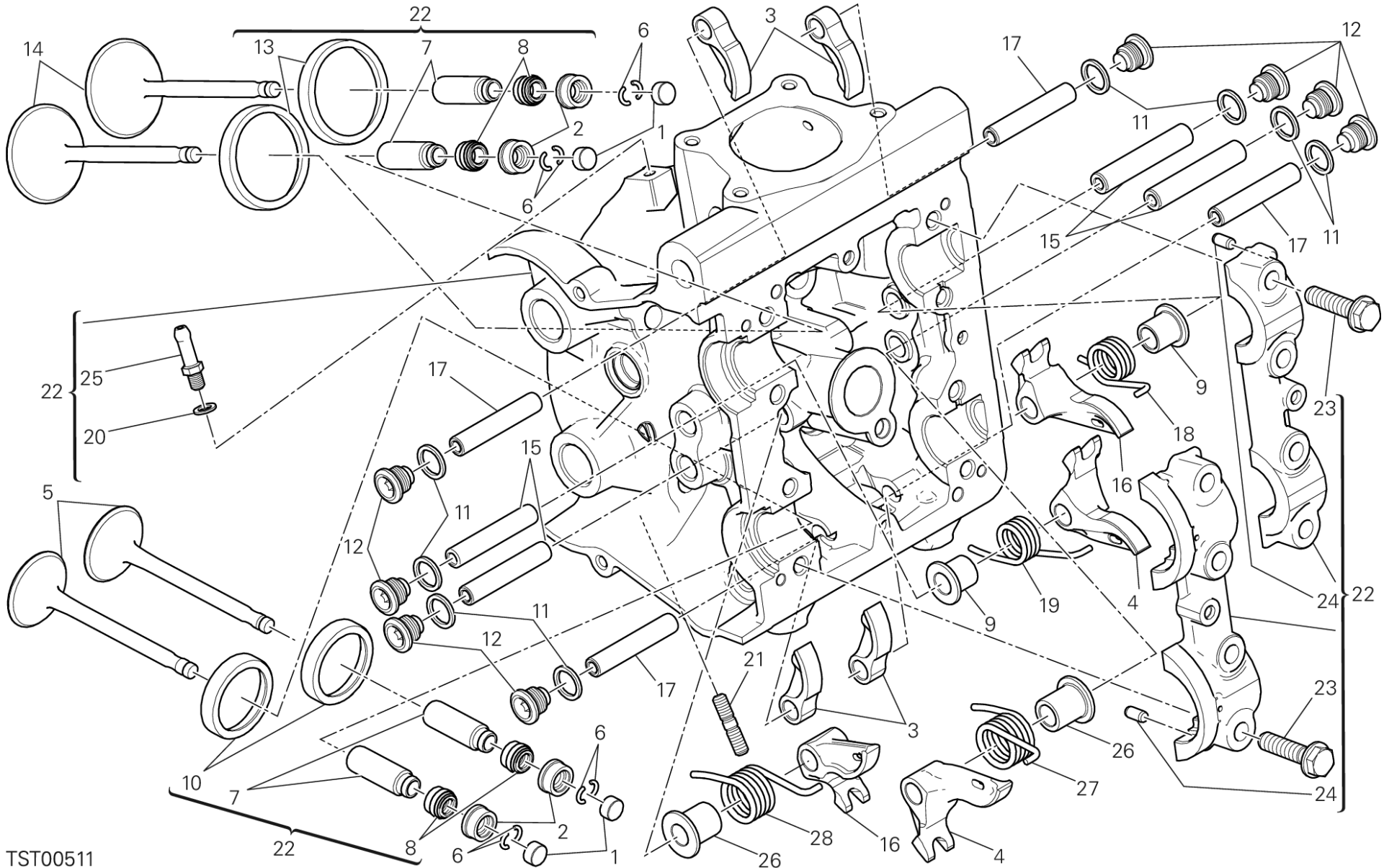
TST00510

DRAWING 014 - VERTICAL HEAD [MOD:M 1200R]

GROUP ENGINE



POS.	CODE	DESCRIPTION	QTY	START DATE	END DATE	VALIDITY	NOTES
14	21010841C	INTAKE VALVE	2	07/12/2012			
15	82112951A	CLOSE ROCKER ARM AXLE	4	12/03/2015			
16	20910491A	CLOSING ROCKER ARM RIGHT	2	07/12/2012			
17	82112221B	SHAFT, OPENING ROCKER	4	06/03/2015			
18	79915011A	VALVE RETURN SPRING RH.	1	07/12/2012			
19	79915001A	VALVE RETURN SPRING LH.	1	07/12/2012			
20	77350618B	SCREW TCEIR M6X8	1	03/04/2012			
21	76640191A	STUD BOLT M6X16	3	13/12/2012			
22	30124124AC	COMPLETE VERTICAL HEAD	1	27/02/2017			
23	77914211A	SCREW TEF M8X32	8	03/04/2012			
24	86050061A	PIN M5X10	4	03/04/2012			
25	71312921B	SPACER	2	07/12/2012			
26	79915181B	LEFT VALVE RETURN SPRING	1	07/12/2012			
27	79915191B	RIGHT VALVE RETURN SPRING	1	07/12/2012			
28	85250231A	GASKET	1	03/04/2012			



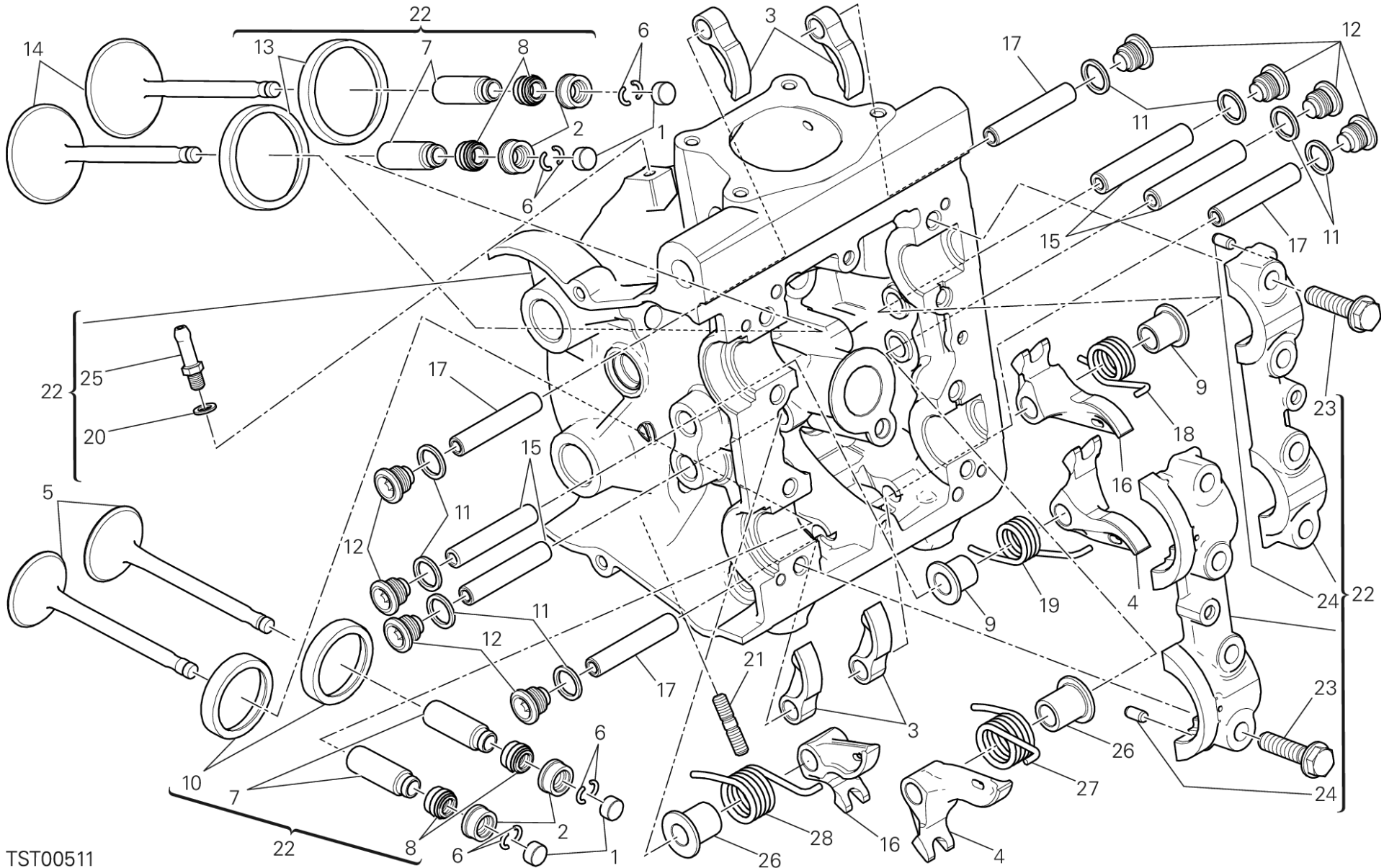
TST00511

DRAWING 015 - HORIZONTAL HEAD [MOD:M 1200R]

GROUP ENGINE



POS.	CODE	DESCRIPTION	QTY	START DATE	END DATE	VALIDITY	NOTES
1	84010012A	ADJUSTER, OPENING ROCKER ARM 2.00 MM	4	20/06/2012			
	84010022A	ADJUSTER, OPENING ROCKER ARM 2.05 MM	4	20/06/2012			
	84010032A	ADJUSTER, OPENING ROCKER ARM 2.10 MM	4	20/06/2012			
	84010042A	ADJUSTER, OPENING ROCKER ARM 2.15 MM	4	20/06/2012			
	84010052A	ADJUSTER, OPENING ROCKER ARM 2.20 MM	4	20/06/2012			
	84010062A	ADJUSTER, OPENING ROCKER ARM 2.25 MM	4	20/06/2012			
	84010072A	ADJUSTER, OPENING ROCKER ARM 2.30 MM	4	20/06/2012			
	84010082A	ADJUSTER, OPENING ROCKER ARM 2.35 MM	4	20/06/2012			
	84010092A	ADJUSTER, OPENING ROCKER ARM 2.40 MM	4	20/06/2012			
	84010102A	ADJUSTER, OPENING ROCKER ARM 2.45 MM	4	20/06/2012			
	84010112A	ADJUSTER, OPENING ROCKER ARM 2.50 MM	4	20/06/2012			
	84010122A	ADJUSTER, OPENING ROCKER ARM 2.55 MM	4	20/06/2012			
	84010132A	ADJUSTER, OPENING ROCKER ARM 2.60 MM	4	20/06/2012			
	84010142A	ADJUSTER, OPENING ROCKER ARM 2.65 MM	4	20/06/2012			
	84010152A	ADJUSTER, OPENING ROCKER ARM 2.70 MM	4	20/06/2012			
	84010162A	ADJUSTER, OPENING ROCKER ARM 2.75 MM	4	20/06/2012			
	84010172A	ADJUSTER, OPENING ROCKER ARM 2.80 MM	4	20/06/2012			
	84010182A	ADJUSTER, OPENING ROCKER ARM 2.85 MM	4	20/06/2012			
	84010192A	ADJUSTER, OPENING ROCKER ARM 2.90 MM	4	20/06/2012			
	84010202A	ADJUSTER, OPENING ROCKER ARM 2.95 MM	4	20/06/2012			
	84010212A	ADJUSTER, OPENING ROCKER ARM 3.00 MM	4	20/06/2012			
	84010222A	ADJUSTER, OPENING ROCKER ARM 3.05 MM	4	20/06/2012			
	84010232A	ADJUSTER, OPENING ROCKER ARM 3.10 MM	4	20/06/2012			
	84010242A	ADJUSTER, OPENING ROCKER ARM 3.15 MM	4	20/06/2012			
	84010252A	ADJUSTER, OPENING ROCKER ARM 3.20 MM	4	20/06/2012			
	84010262A	ADJUSTER, OPENING ROCKER ARM 3.25 MM	4	20/06/2012			
	84010272A	ADJUSTER, OPENING ROCKER ARM 3.30 MM	4	20/06/2012			
	84010282A	ADJUSTER, OPENING ROCKER ARM 3.35 MM	4	20/06/2012			
	84010292A	ADJUSTER, OPENING ROCKER ARM 3.40 MM	4	20/06/2012			
	84010302A	ADJUSTER, OPENING ROCKER ARM 3.45 MM	4	20/06/2012			
	84010312A	ADJUSTER, OPENING ROCKER ARM 1.80 MM	4	20/06/2012			
	84010322A	ADJUSTER, OPENING ROCKER ARM 1.85 MM	4	20/06/2012			
	84010332A	ADJUSTER, OPENING ROCKER ARM 1.90 MM	4	20/06/2012			
	84010342A	ADJUSTER, OPENING ROCKER ARM 1.95 MM	4	20/06/2012			
	84010722A	ADJUSTER, OPENING ROCKER ARM 3.60 MM	4	20/06/2012			



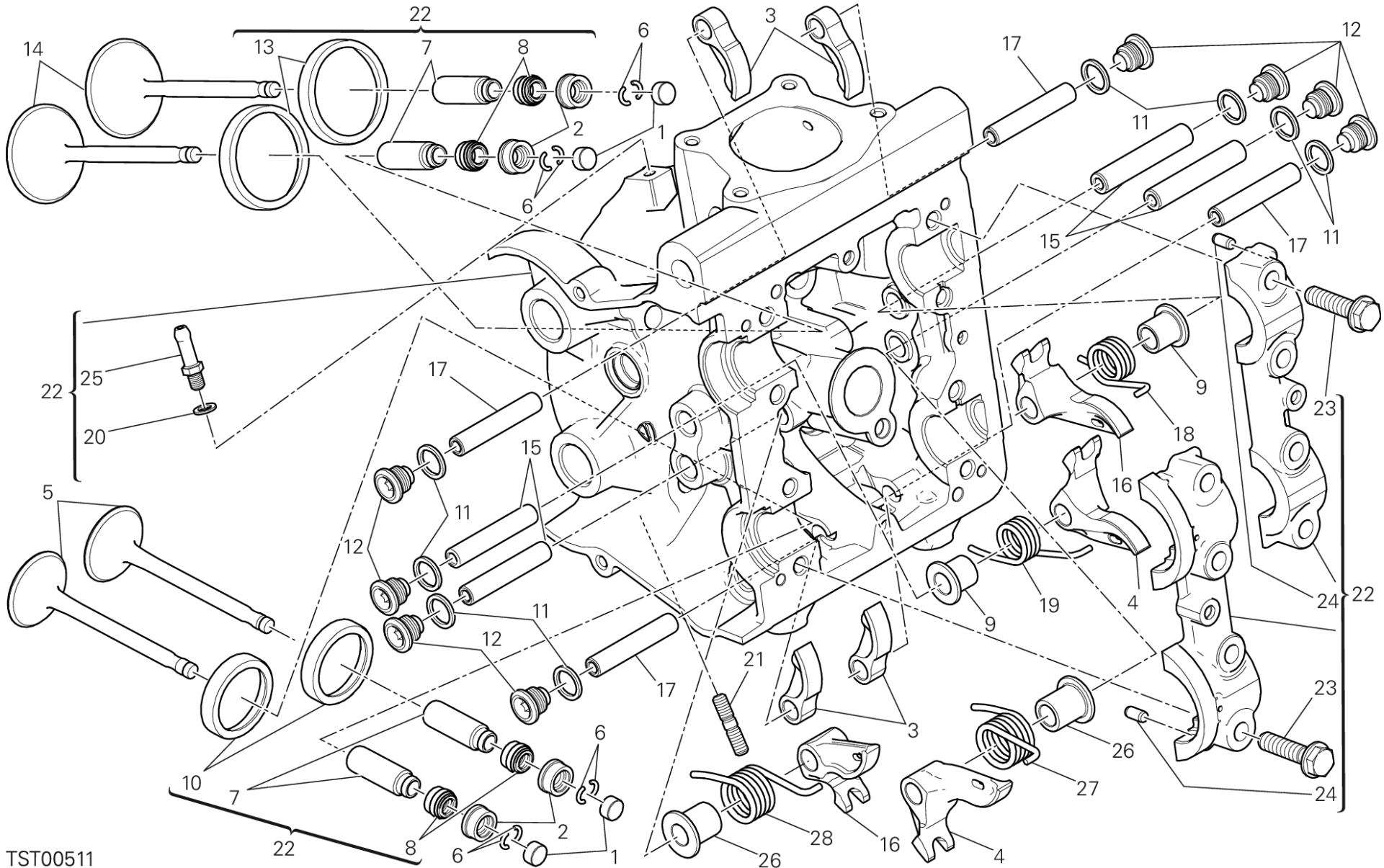
TST00511

DRAWING 015 - HORIZONTAL HEAD [MOD:M 1200R]

GROUP ENGINE



POS.	CODE	DESCRIPTION	QTY	START DATE	END DATE	VALIDITY	NOTES
	84010732A	ADJUSTER, OPENING ROCKER ARM 3.80 MM	4	20/06/2012			
	84011082A	ADJUSTER, OPENING ROCKER ARM 3.50 MM	4	20/06/2012			
	84011092A	ADJUSTER, OPENING ROCKER ARM 3.55 MM	4	20/06/2012			
	84011102A	ADJUSTER, OPENING ROCKER ARM 3.65 MM	4	20/06/2012			
	84011112A	ADJUSTER, OPENING ROCKER ARM 3.70 MM	4	20/06/2012			
	84011122A	ADJUSTER, OPENING ROCKER ARM 3.75 MM	4	20/06/2012			
	84011132A	ADJUSTER, OPENING ROCKER ARM 3.85 MM	4	20/06/2012			
	84011142A	ADJUSTER, OPENING ROCKER ARM 3.9 MM	4	20/06/2012			
2	84010412B	ADJUSTER, CLOSING ROCKER ARM 2.20 MM	4	24/12/2009			
	84010422B	ADJUSTER, CLOSING ROCKER ARM 2.25 MM	4	24/12/2009			
	84010432B	ADJUSTER, CLOSING ROCKER ARM 2.30 MM	4	24/12/2009			
	84010442B	ADJUSTER, CLOSING ROCKER ARM 2.35 MM	4	24/12/2009			
	84010452B	ADJUSTER, CLOSING ROCKER ARM 2.40 MM	4	24/12/2009			
	84010462B	ADJUSTER, CLOSING ROCKER ARM 2.45 MM	4	24/12/2009			
	84010472B	ADJUSTER, CLOSING ROCKER ARM 2.50 MM	4	24/12/2009			
	84010482B	ADJUSTER, CLOSING ROCKER ARM 2.55 MM	4	24/12/2009			
	84010492B	ADJUSTER, CLOSING ROCKER ARM 2.60 MM	4	24/12/2009			
	84010502B	ADJUSTER, CLOSING ROCKER ARM 2.65 MM	4	24/12/2009			
	84010512B	ADJUSTER, CLOSING ROCKER ARM 2.70 MM	4	24/12/2009			
	84010522B	ADJUSTER, CLOSING ROCKER ARM 2.75 MM	4	24/12/2009			
	84010532B	ADJUSTER, CLOSING ROCKER ARM 2.80 MM	4	24/12/2009			
	84010542B	ADJUSTER, CLOSING ROCKER ARM 2.85 MM	4	24/12/2009			
	84010552B	ADJUSTER, CLOSING ROCKER ARM 2.90 MM	4	24/12/2009			
	84010562B	ADJUSTER, CLOSING ROCKER ARM 2.95 MM	4	24/12/2009			
	84010572B	ADJUSTER, CLOSING ROCKER ARM 3.00 MM	4	24/12/2009			
	84010582B	ADJUSTER, CLOSING ROCKER ARM 3.05 MM	4	24/12/2009			
	84010592B	ADJUSTER, CLOSING ROCKER ARM 3.10 MM	4	24/12/2009			
	84010602B	ADJUSTER, CLOSING ROCKER ARM 3.15 MM	4	24/12/2009			
	84010612B	ADJUSTER, CLOSING ROCKER ARM 3.20 MM	4	24/12/2009			
	84010622B	ADJUSTER, CLOSING ROCKER ARM 3.25 MM	4	24/12/2009			
	84010632B	ADJUSTER, CLOSING ROCKER ARM 3.30 MM	4	24/12/2009			
	84010642B	ADJUSTER, CLOSING ROCKER ARM 3.35 MM	4	24/12/2009			
	84010652B	ADJUSTER, CLOSING ROCKER ARM 3.40 MM	4	24/12/2009			
	84010662B	ADJUSTER, CLOSING ROCKER ARM 3.45 MM	4	24/12/2009			
	84010672B	ADJUSTER, CLOSING ROCKER ARM 3.50 MM	4	24/12/2009			



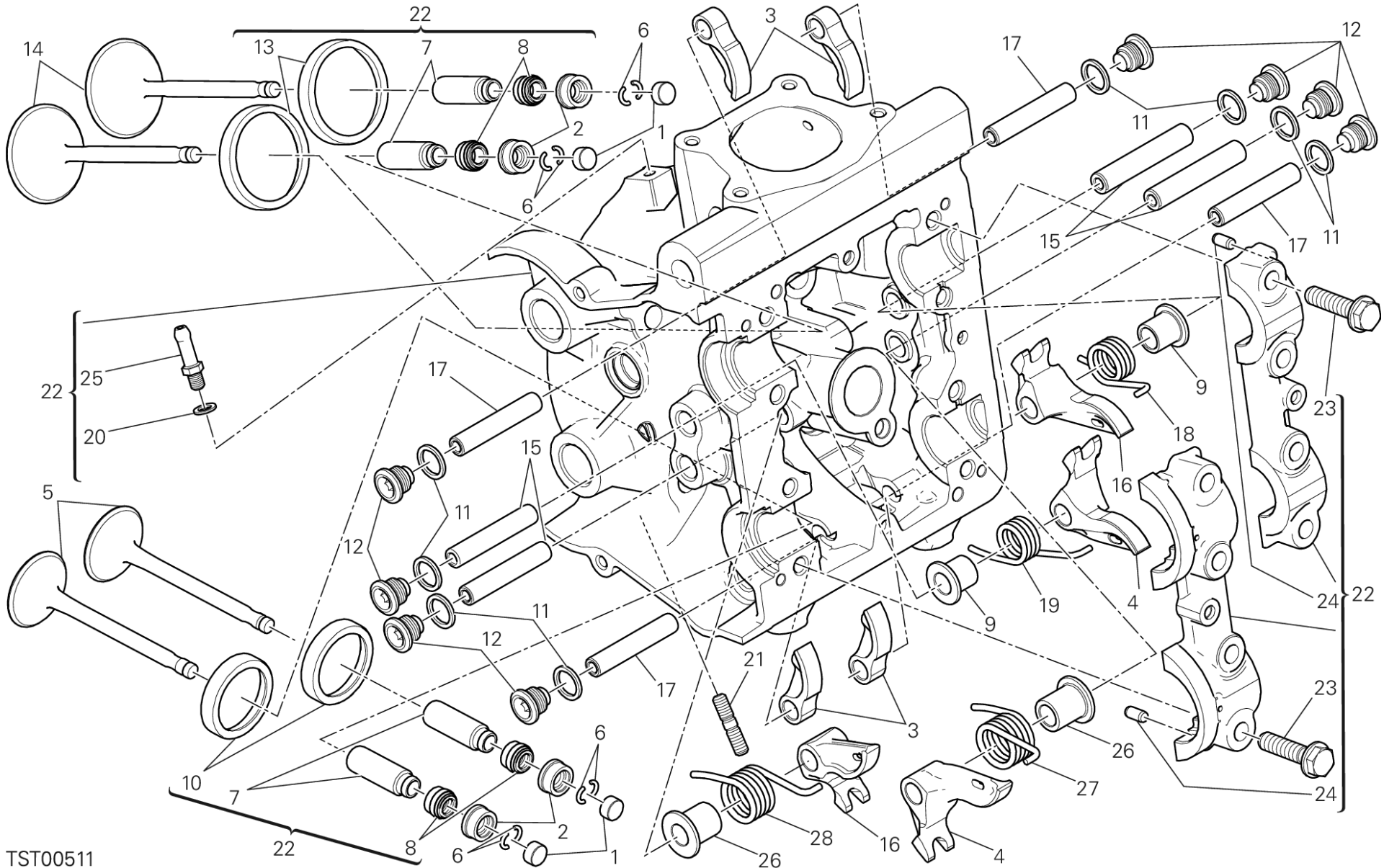
TST00511

DRAWING 015 - HORIZONTAL HEAD [MOD:M 1200R]

GROUP ENGINE



POS.	CODE	DESCRIPTION	QTY	START DATE	END DATE	VALIDITY	NOTES
	84010682B	ADJUSTER, CLOSING ROCKER ARM 3.55 MM	4	24/12/2009			
	84010692B	ADJUSTER, CLOSING ROCKER ARM 3.60 MM	4	24/12/2009			
	84010702B	ADJUSTER, CLOSING ROCKER ARM 3.65 MM	4	24/12/2009			
	84010712B	ADJUSTER, CLOSING ROCKER ARM 3.70 MM	4	24/12/2009			
	84010722B	ADJUSTER, CLOSING ROCKER ARM 3.75 MM	4	24/12/2009			
	84010732B	ADJUSTER, CLOSING ROCKER ARM 3.80 MM	4	24/12/2009			
	84010742B	ADJUSTER, CLOSING ROCKER ARM 3.85 MM	4	24/12/2009			
	84010752B	ADJUSTER, CLOSING ROCKER ARM 3.90 MM	4	24/12/2009			
	84010762B	ADJUSTER, CLOSING ROCKER ARM 3.95 MM	4	24/12/2009			
	84010772B	ADJUSTER, CLOSING ROCKER ARM 4.00 MM	4	24/12/2009			
	84010782B	ADJUSTER, CLOSING ROCKER ARM 4.05 MM	4	24/12/2009			
	84010792B	ADJUSTER, CLOSING ROCKER ARM 4.10 MM	4	24/12/2009			
	84010802B	ADJUSTER, CLOSING ROCKER ARM 4.15 MM	4	24/12/2009			
	84010812B	ADJUSTER, CLOSING ROCKER ARM 4.20 MM	4	24/12/2009			
	84010822B	ADJUSTER, CLOSING ROCKER ARM 4.25 MM	4	24/12/2009			
	84010832B	ADJUSTER, CLOSING ROCKER ARM 4.30 MM	4	24/12/2009			
	84010842B	ADJUSTER, CLOSING ROCKER ARM 4.35 MM	4	24/12/2009			
	84010852B	ADJUSTER, CLOSING ROCKER ARM 4.40 MM	4	24/12/2009			
	84010862B	ADJUSTER, CLOSING ROCKER ARM 4.45 MM	4	24/12/2009			
	84010872B	ADJUSTER, CLOSING ROCKER ARM 4.50 MM	4	24/12/2009			
3	20810321A	OPEN. ROCKER ARM	4	07/12/2012			
4	20910501A	CLOSING ROCKER ARM LEFT	2	07/12/2012			
5	21110831B	EXHAUST VALVE	2	07/12/2012			
6	66910011E	C RING	8	07/12/2012			
7	30310631BB	GUIDE, VALVE OVERSIZED 0.03 MM	4	25/03/2013			
	30310631BC	GUIDE, VALVE OVERSIZED 0.06 MM	4	25/03/2013			
	30310631BD	GUIDE, VALVE OVERSIZED 0.09 MM	4	25/03/2013			
8	76440572A	SEAL VALVE STEM	4	06/03/2015			
9	71312921A	SPACER	2	07/12/2012			
10	30410891AB	SEAT, EXHAUST VALVE +0.03 MM	2	25/03/2013			
	30410891AC	SEAT, EXHAUST VALVE +0.06 MM	2	25/03/2013			
11	85250261B	GASKET	8	07/12/2012			
12	78010511E	PLUG	8	07/12/2012			
13	30410881AB	SEAT, INLET VALVE +0.03 MM	2	25/03/2013			
	30410881AC	SEAT, INLET VALVE +0.06 MM	2	25/03/2013			



TST00511

DRAWING 015 - HORIZONTAL HEAD [MOD:M 1200R]

GROUP ENGINE

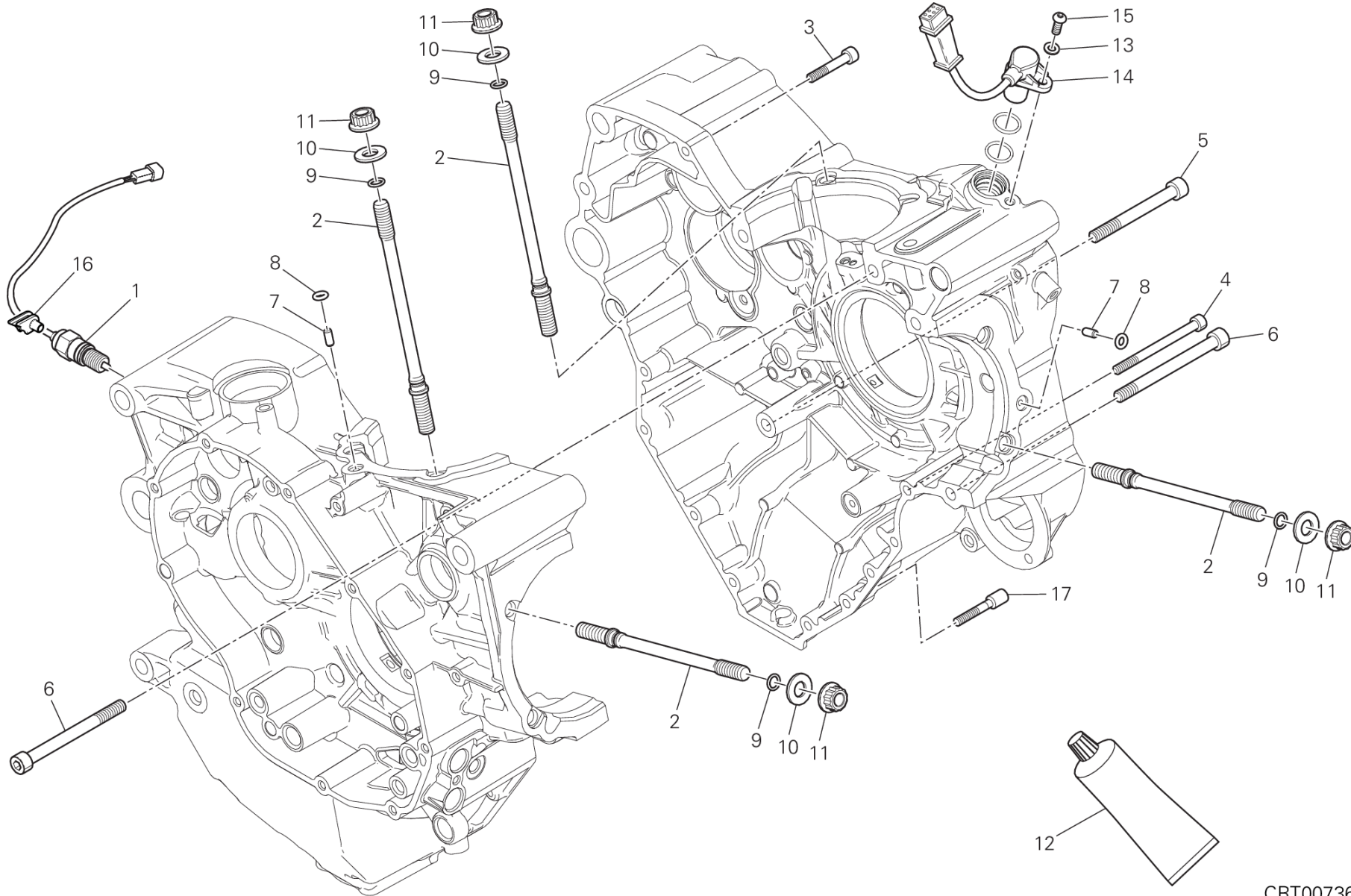


POS.	CODE	DESCRIPTION	QTY	START DATE	END DATE	VALIDITY	NOTES
14	21010841C	INTAKE VALVE	2	07/12/2012			
15	82112951A	CLOSE ROCKER ARM AXLE	4	12/03/2015			
16	20910491A	CLOSING ROCKER ARM RIGHT	2	07/12/2012			
17	82112221B	SHAFT, OPENING ROCKER	4	06/03/2015			
18	79915011A	VALVE RETURN SPRING RH.	1	07/12/2012			
19	79915001A	VALVE RETURN SPRING LH.	1	07/12/2012			
20	85250231A	GASKET	1	03/04/2012			
21	76640191A	STUD BOLT M6X16	3	13/12/2012			
22	30124114AC	COMPLETE HORIZONTAL HEAD	1	27/02/2017			
23	77914211A	SCREW TEF M8X32	8	03/04/2012			
24	86050061A	PIN M5X10	4	03/04/2012			
25	81411881A	NIPPLE, HOSE	1	03/04/2012			
26	71312921B	SPACER	2	07/12/2012			
27	79915181B	LEFT VALVE RETURN SPRING	1	07/12/2012			
28	79915191B	RIGHT VALVE RETURN SPRING	1	07/12/2012			



DRAWING 10A - HALF-CRANKCASES PAIR [MOD:M 1200R]

GROUP ENGINE



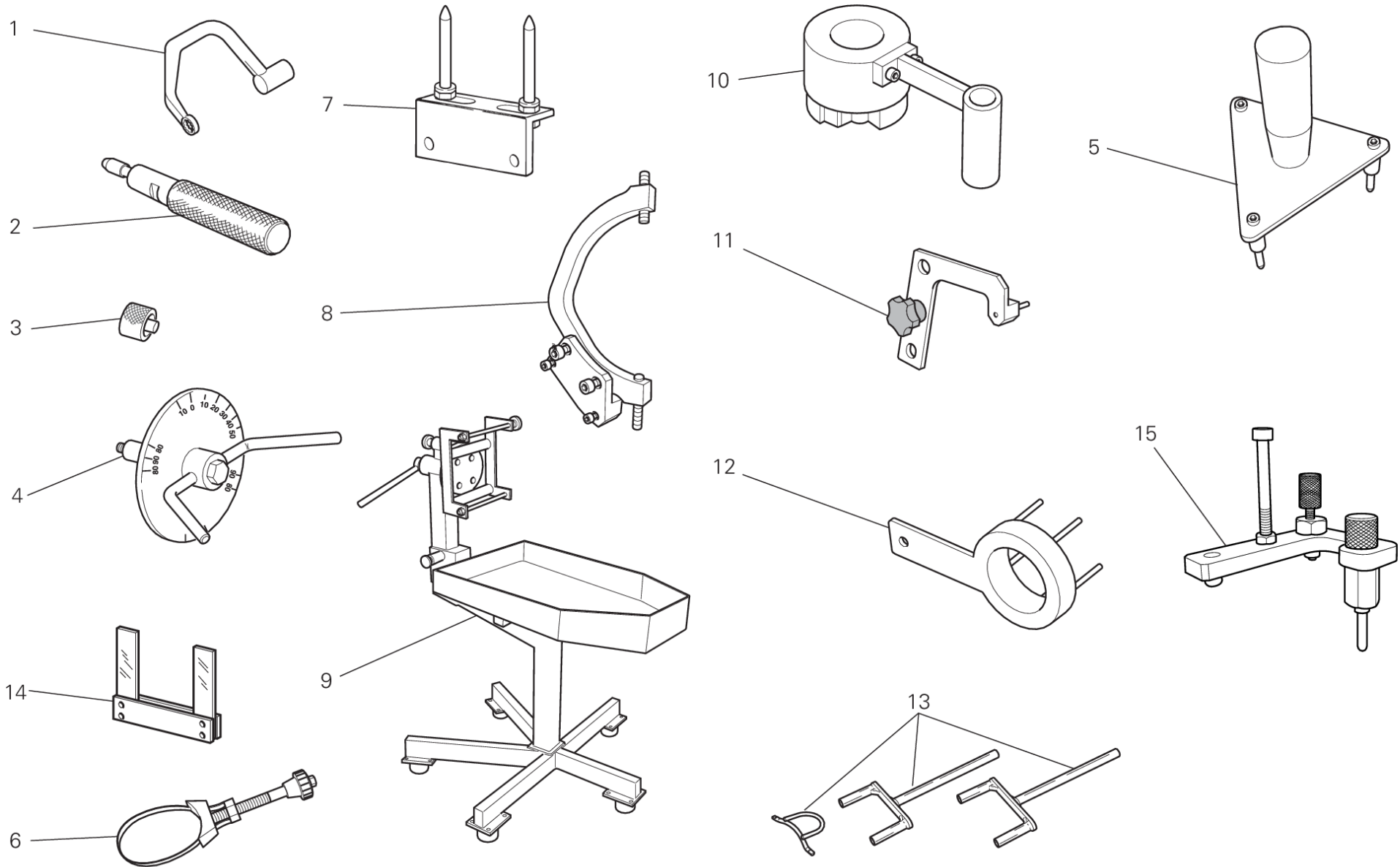
CRT00736

DRAWING 10A - HALF-CRANKCASES PAIR [MOD:M 1200R]

GROUP ENGINE



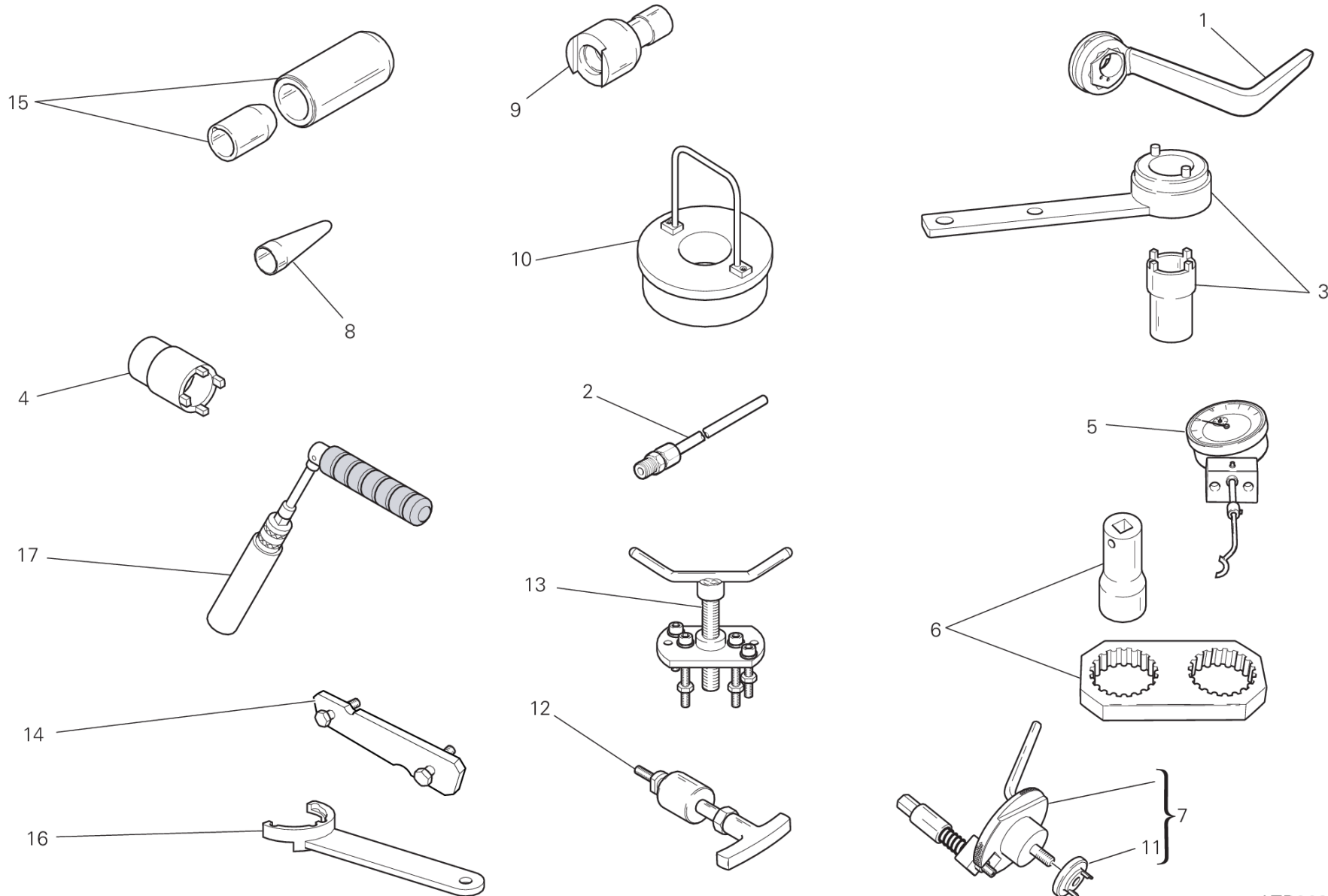
POS.	CODE	DESCRIPTION	QTY	START DATE	END DATE	VALIDITY	NOTES
1	55241612C	GEARBOX POSITION SENSOR	1	01/03/2014			
2	76610553B	STUD BOLT FASTENING HEAD CYLINDER	8	01/03/2014			
3	77150723B	SCREW TCEI M6X35 UNI 5931	5	01/03/2014			
4	77150808B	SCREW TCEI M6X75	2	01/03/2014			
5	77151363B	SCREW TCEI M8X75 UNI 5931	3	01/03/2014			
6	77151398B	SCREW TCEI M8X90	4	01/03/2014			
7	86010051B	DOWEL	2	23/03/2017			
8	88610241A	O-RING 5.23X2.62	2	01/03/2014			
9	88641181A	O-RING	8	01/03/2014			
10	85610642A	WASHER, SPECIAL 10.5X21X2	8	01/03/2014			
11	74810501A	NUT M10X1.5	8	01/03/2014			
12	942470014	LIQUID GASKET	1	01/03/2014			
13	85310031A	SPRING WASHER 6 MM	1	04/09/2014			
14	55241321C	SENSOR, TIMING & RPM	1	04/09/2014			
15	77550211B	SCREW TBEI M6X16 ISO7380 10.9	1	04/09/2014			
16	76411831A	FAIRLEAD RUBBER RING	1	01/11/2015			
17	77916041C	SCREW, SPECIAL	3	04/09/2014			



ATR00394



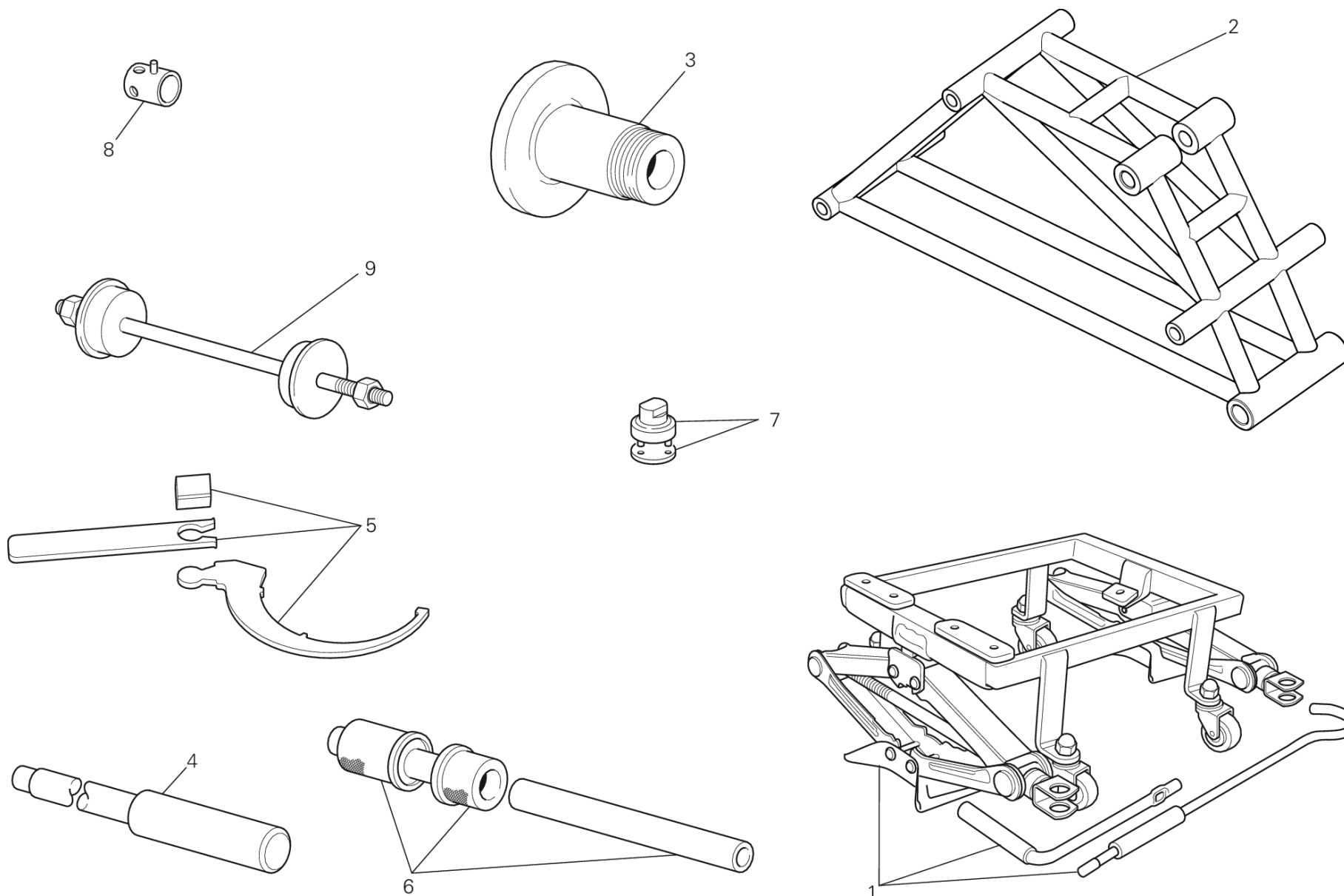
POS.	CODE	DESCRIPTION	QTY	START DATE	END DATE	VALIDITY	NOTES
1	887132096	HEAD NUTS HOLDER WRENCH	1				
2	887132442	TOOL, OIL SEAL MOUNTING (Ø7)	1				
3	887651298	SPACER FOR CHECKING LOWER VALVE SHIM	1				
4	887132571	TOOL, EGREE WHEEL HOLDER	1				
5	887133352	TOOL FOR TIMING CLUTCH PLATES SET	1				
6	887132906	WRENCH, OIL FILTER CARTRIDGE	1				
7	887132103	HEAD MOUNTING BASE	1				
8	887133367	FLYWHEEL WRENCH	1				
9	887131832	BENCH FOR ENGINE REPAIR	1				
10	887133408	REACTION TOOL FOR WET "FCC" CLUTCH	1				
11	887133334	PLATE POSITIONING GEAR ENGAGEMENT FORK	1				
12	887133417	TORQUE WRENCH	1				
13	887132068	CLOSING ROCKER PRE-LOAD KIT	1				
14	887131309	FORK FEELER GAUGE2,35 MM	1				
15	887130022	GEARBOX SELECTOR TOOL	1				



ATR00375

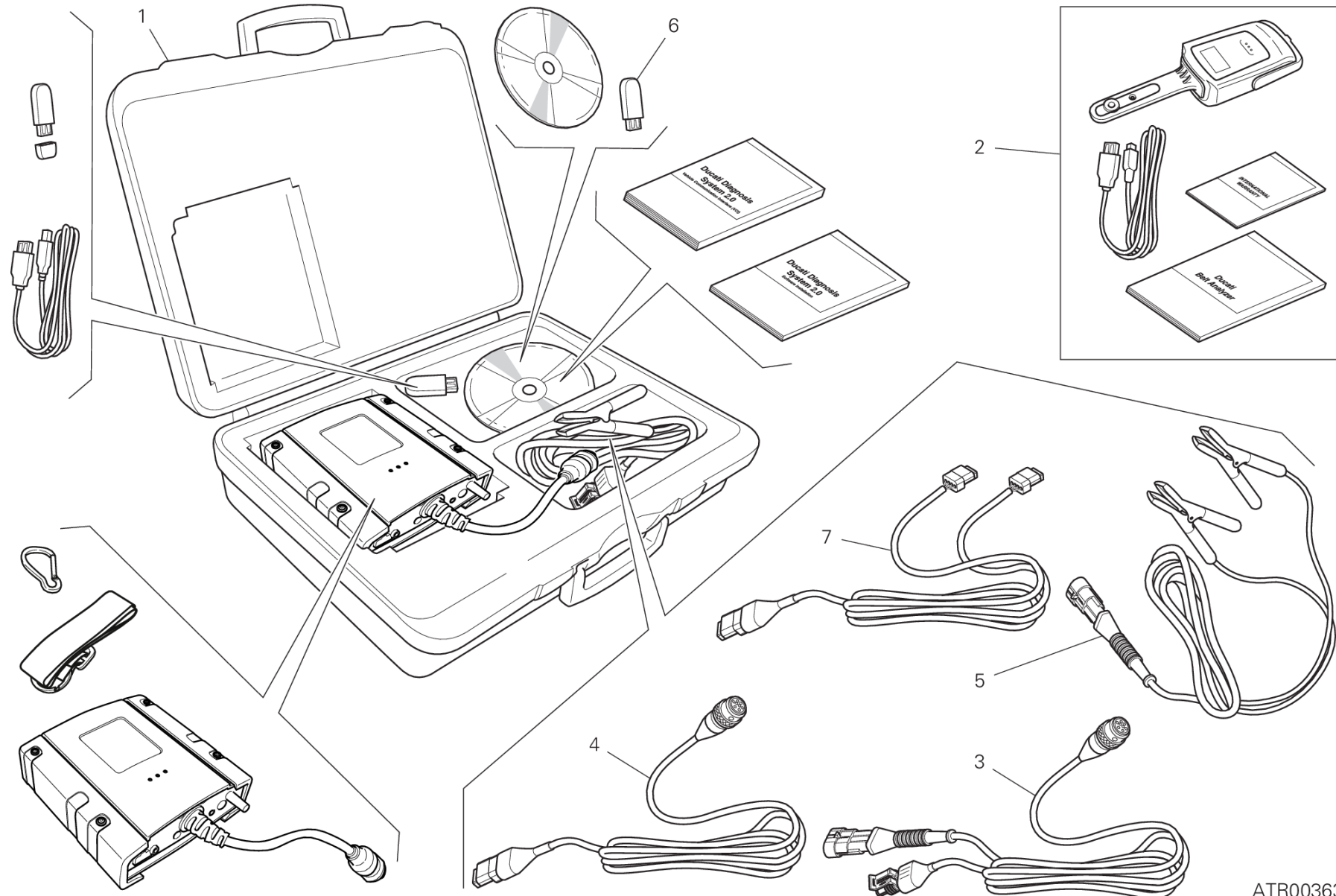


POS.	CODE	DESCRIPTION	QTY	START DATE	END DATE	VALIDITY	NOTES
1	887133497	WRENCH FOR TENSIONING MOBILE BELT TENSIO	1				
2	887131010	CONNECTOR FOR EXHAUST GAS TAKE-UP POINT	1				
3	887005644	TIMING PULLEY RETAINING WRENCH	1				
4	887133406	WRENCH TIGHTENING PRIMARY TRANSMISSI	1				
5	887651518	VALVE LIFT GAUGE	1				
6	887131806	REACTION TOOL BELT ROLLER TIGHTENING	1				
7	887132011	CRANKSHAFT RESET TOOL	1				
8	887131920	TOOL TO FIT O-RINGS ONTO STUD BOLTS	1				
9	887131821	WRENCH TO TIGHTEN TENSIONING BOLTS	1				
10	887132870	TOOL, CON-ROD GUIDING	1				
11	887134411	INSERT	1				
12	887131994	ROCKER PIN EXTRACTOR	1				
13	887131749	DRIVE ROLLER PULLER	1				
14	887651623	BELT ROLLER TIMING TOOL	1				
15	887131906	TOOL TO FIT OIL SEAL	1				
16	887133219	TIMING BELT ROLLER REACTION TOOL	1				
17	887132877	SPARK PLUG WRENCH	1				





POS.	CODE	DESCRIPTION	QTY	START DATE	END DATE	VALIDITY	NOTES
1	887133220	BENCH FOR ENGINE REPAIR	1				
2	887134513	FRAME/MOTOR SUPPORT	1				
3	887132951	TOOL BALANCING REAR WHEEL	1				
4	887131074	TOOL DISASSEMBLING SWINGARM PIVOT	1				
5	887133211	SPANNER FOR ADJUSTING THE ECCENTRIC HUB	1				
6	887132409	TOOL ASSEMBLING SWINGARM BALL BEARING	1				
7	887131058	SPANNER TO ASSEMBLE THE STEERING SLEEVE	1				
8	800070139	WRENCH FOR FRONT WHEEL SPINDLE	1				
9	887131062	TOOL ASSEMBLING STEERING TUBE BEARING	1				



ATR00363



POS.	CODE	DESCRIPTION	QTY	START DATE	END DATE	VALIDITY	NOTES
1	979000252	DDS 2 (Ducati Diagnosis System 2.0)	1				
2	979000253	BELT TENSIONING KIT	1				
3	979000254	MAIN CABLE	1				
4	979000255	MAIN CABLE (CAN)	1				
5	979000256	MAIN CABLE DDS	1				
6	28620441B	CHIAVE "PC HASP DDS2.0"	1				
7	979000259	WIRING MAP-KEY	1				



DRAWING A - TYRES [MOD:M 1200R]

GROUP TYRES



POS.	CODE	DESCRIPTION	QTY	START DATE	END DATE	VALIDITY	NOTES
1	49040711A	FRONT TYRE DIABLO™ SUPERCORSA SP (120-70 ZR17)	1	12/01/2015			(*)=Pneumatico di primo equipaggiamento
2	49140911A	REAR TYRE DIABLO™ SUPERCORSA SP (200-55 ZR17)	1	14/05/2015			(*)=Pneumatico di primo equipaggiamento
3	49040692A	FRONT TYRE DIABLO™ ROSSO CORSA (120-70 ZR17)	1				
4	49141441A	REAR TYRE DIABLO™ ROSSO CORSA (200-55 ZR17)	1				
5	490P0272A	FRONT TYRE DIABLO™ ROSSO III (120-70 ZR17)	1				
6	491P0073A	REAR TYRE DIABLO™ ROSSO III (200-55 ZR17)	1				
7	49041081A	FRONT TYRE DIABLO™ ROSSO CORSA II (120-70 ZR17)	1				
8	49141641A	REAR TYRE DIABLO™ ROSSO CORSA II (200-55 ZR17)	1				



DRAWING B2 - (*) PIRELLI DIABLO™ SUPERCORSA SP [MOD:M 1200R]

GROUP TYRES



POS.	CODE	DESCRIPTION	QTY	START DATE	END DATE	VALIDITY	NOTES
1	49040711A	FRONT TYRE DIABLO™ SUPERCORSA SP (120-70 ZR17)	1	12/01/2015			(*)=Pneumatico di primo equipaggiamento
2	49140911A	REAR TYRE DIABLO™ SUPERCORSA SP (200-55 ZR17)	1	14/05/2015			(*)=Pneumatico di primo equipaggiamento



DRAWING C2 - PIRELLI DIABLO™ ROSSO CORSA [MOD:M 1200R]

GROUP TYRES



POS.	CODE	DESCRIPTION	QTY	START DATE	END DATE	VALIDITY	NOTES
1	49040692A	FRONT TYRE DIABLO™ ROSSO CORSA (120-70 ZR17)	1	25/10/2013			
2	49141441A	REAR TYRE DIABLO™ ROSSO CORSA (200-55 ZR17)	1				



DRAWING D3 - PIRELLI DIABLO™ ROSSO III [MOD:M 1200R]

GROUP TYRES



POS.	CODE	DESCRIPTION	QTY	START DATE	END DATE	VALIDITY	NOTES
1	490P0272A	FRONT TYRE DIABLO™ ROSSO III (120-70 ZR17)	1	19/01/2017			
2	491P0073A	REAR TYRE DIABLO™ ROSSO III (200-55 ZR17)	1	19/12/2016			



DRAWING G - PIRELLI DIABLO™ ROSSO CORSA II [MOD:M 1200R]

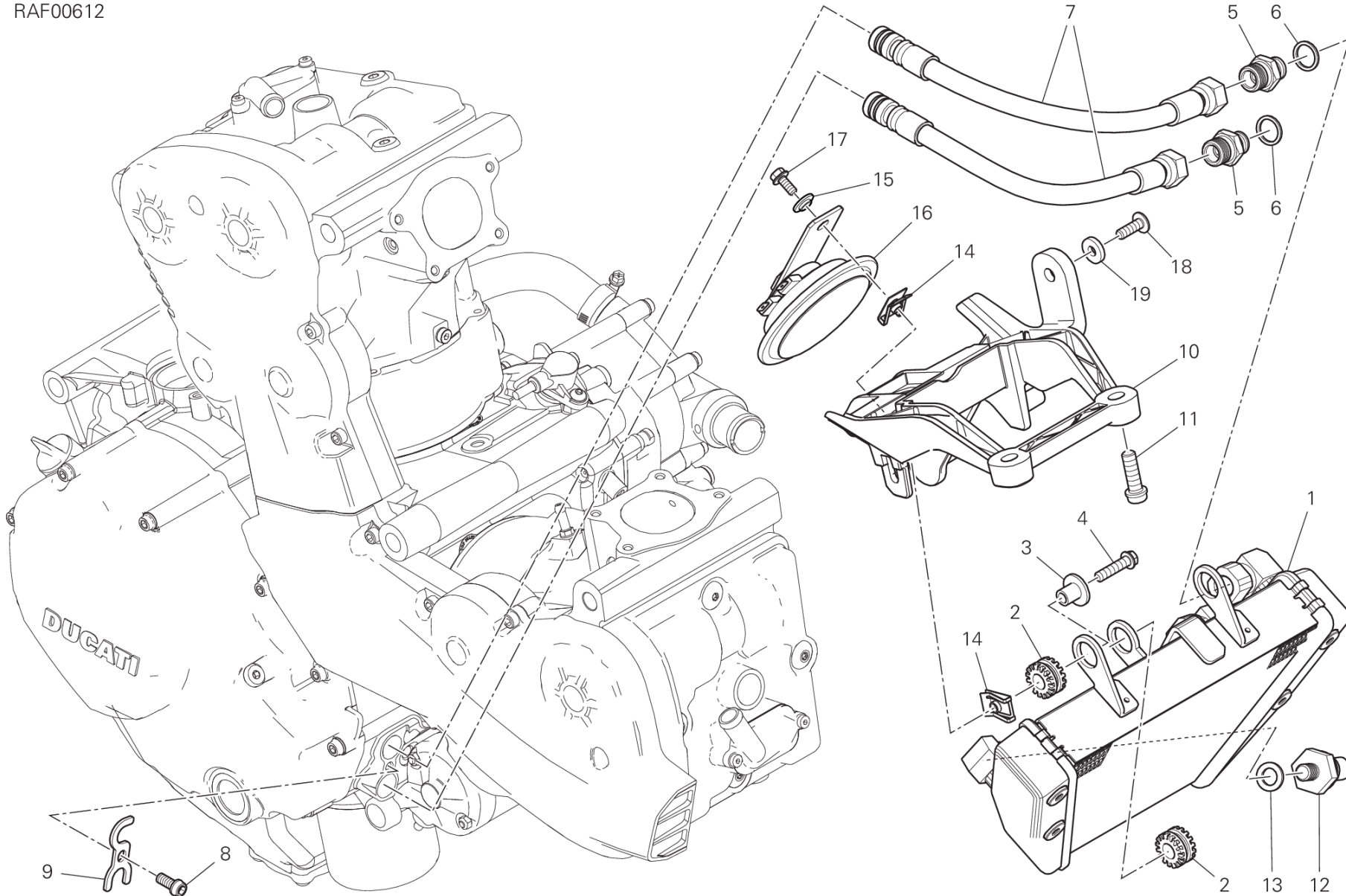
GROUP TYRES



POS.	CODE	DESCRIPTION	QTY	START DATE	END DATE	VALIDITY	NOTES
1	49041081A	FRONT TYRE DIABLO™ ROSSO CORSA II (120-70 ZR17)	1	25/10/2013			
2	49141641A	REAR TYRE DIABLO™ ROSSO CORSA II (200-55 ZR17)	1	28/05/2015			



RAF00612

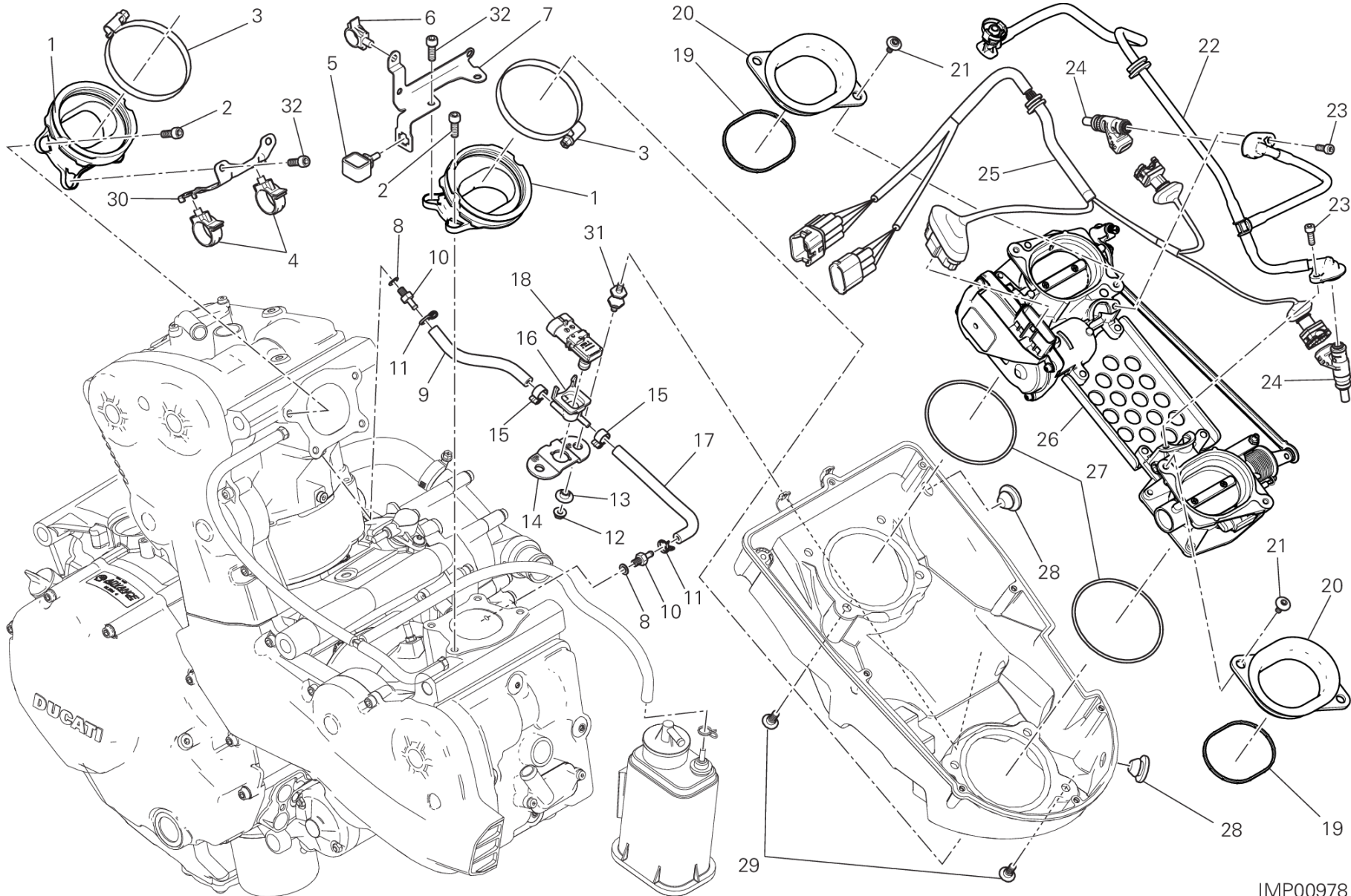


DRAWING 016 - OIL COOLER [MOD:M 1200R]

GROUP FRAME



POS.	CODE	DESCRIPTION	QTY	START DATE	END DATE	VALIDITY	NOTES
1	54810461B	OIL COOLER	1	22/10/2013			
2	76410241A	VIBRATION DAMPER PAD	3	22/10/2013			
3	71610031A	SPACER	1	22/10/2013			
4	77251038B	SCREW TEF M6X25	1	22/10/2013			
5	81510221A	NIPPLE, HOSEM14X1.5	2	22/10/2013			
6	78710111A	GASKET, ALUMINIUM 14X22X2	2	05/05/2014			
7	54911071A	HOSE, OIL	2	22/10/2013			
8	77116648B	SCREW	1	22/10/2013			
9	82714201A	PLATE	1	22/10/2013			
10	83018411AA	STAY, OIL COOLER	1	10/03/2016			
11	77110351A	SCREW TCEIF M8X25	2	22/10/2013			
12	53940302A	SWITCH ASSY, OIL PRESSURE	1	22/10/2013			
13	85211951A	GASKET 10.5X17X2	1	22/10/2013			
14	85040381A	QUICK FASTENING	2	22/10/2013			
15	71614221A	SPACER	1	16/10/2015			
16	51640013AB	HORN	1	22/10/2013			
17	77156658B	SCREW TCEIF M6X16	1	22/10/2013			
18	77211031A	SCREW TBEIF M6X18	1	22/10/2013			
19	85212751A	SPACER	1	22/10/2013			



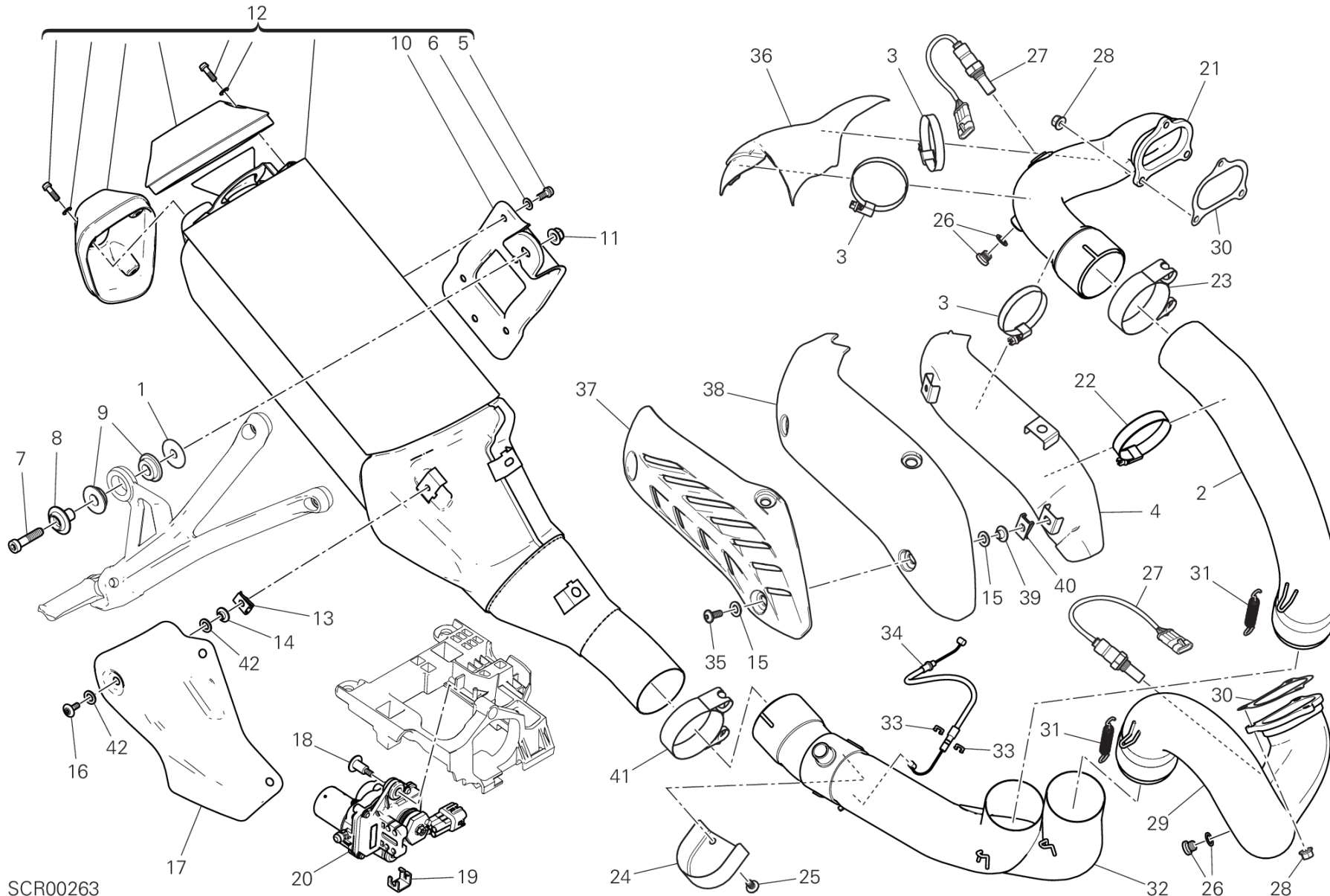
IMP00978

DRAWING 017 - THROTTLE BODY [MOD:M 1200R]

GROUP FRAME



POS.	CODE	DESCRIPTION	QTY	START DATE	END DATE	VALIDITY	NOTES
1	14010822B	INTAKE MANIFOLD	2	08/04/2015			
2	77110391B	SCREW	4	31/05/2013			
3	74141871A	CLAMP 60-80 MM	2	22/10/2013			
4	75840641A	HOSE GUIDE	2	22/10/2013			
5	82911901A	MOUNT RUBBER	1	01/08/2013			
6	75840721A	HOSE GUIDE	1	01/08/2013			
7	83018421BA	BRACKET, WATER TANK	1	01/08/2013			
8	85250231A	GASKET	2	22/02/2013			
9	59014101A	DEPRESSURE/PRESSURE LINE VERTICAL	1	01/11/2013			
10	81413341A	UNION	2	31/05/2013			
11	74140431A	CLAMP	2	12/03/2013			
12	74841091AA	NUT	2	08/09/2014			
13	71611071B	SPACER	2	08/09/2014			
14	86611991A	RUBBER PAD SENSOR, PRESSURE	1	08/09/2014			
15	74141711A	CLAMP 10-7 MM	2	12/03/2013			
16	81415251B	BRACKET SENSOR PRESSURE	1	08/09/2014			
17	59014111A	DEPRESSURE/PRESSURE LINE HORIZONTAL	1	01/11/2013			
18	55241441A	SENSOR, PRESSURE	1	12/03/2013			
19	78810971A	GASKET	2	06/08/2014			
20	13510451A	AIR FUNNEL	2	06/08/2014			
21	77214411BA	SCREW, SPECIAL	4	06/02/2017			
22	59024051A	COMPLETE PIPE SET	1	06/08/2014			
23	77150408B	SCREW TCEI M5X14	2	12/03/2013			
24	28040401B	INJECTOR	2	31/08/2015			
25	5101A841A	INJECTION WIRING	1	06/08/2014			
26	28240991A	THROTTLE BODY	1	06/08/2014			
27	88642231A	O-RING	2	12/03/2013			
28	76411851A	BYPASS CAP	2	12/03/2013			
29	77912741A	SCREW TBEI M6X14	8	12/03/2013			
30	83018221A	HOLDER WIRING	1	22/10/2013			
31	70010901A	VIBRATION DAMPER	2	08/09/2014			
32	77110401B	SCREW	4	16/03/2015			



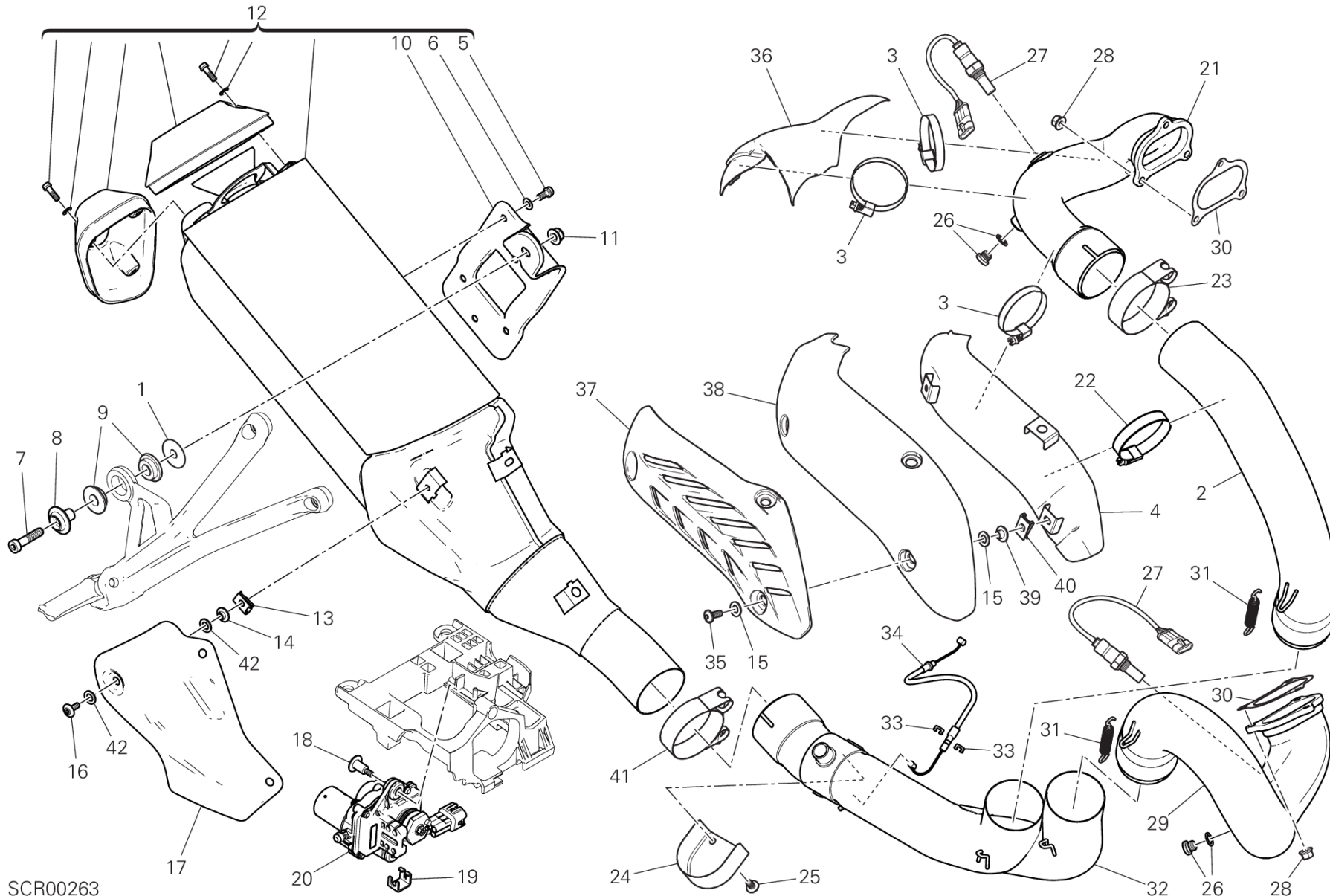
SCR00263

DRAWING 019 - EXHAUST SYSTEM [MOD:M 1200R]

GROUP FRAME



POS.	CODE	DESCRIPTION	QTY	START DATE	END DATE	VALIDITY	NOTES
1	85213681A	WASHER	1	16/03/2015			
2	57113961A	EXHAUST PIPE VERTICAL	1	16/10/2015			
3	74142381A	CLAMP 40/60 MM	3	22/10/2013			
4	4601B284A	HOLDER HEAT GUARD VERTICAL	1	22/10/2013			
5	77156639E	SCREW	6	20/04/2017			
6	85250271A	WASHER 6.2X12X1	6	24/02/2013			
7	77355068B	SCREW TCEIR M8X35	1	22/10/2013			
8	71314361AB	BUSH	1	05/05/2014			
9	76410011A	DAMPER	2	22/10/2013			
10	57610892BA	BRACKET, SILENCER	1	16/09/2016			
11	74940321A	NUT M8	1	22/02/2017			
12	57322243BA	SILENZIATORE COMPLETO	1	22/02/2017		XST:AUS,BLG,EUR,JAP,ROK	AUS-BLG-EUR-JAP
13	85040551A	QUICK FASTENING	3	22/10/2013			
14	71614601AA	SPACER	3	22/10/2013			
15	85210721B	WASHER	6	22/10/2013			
16	77210882B	SCREW TBEI M5X12	3	22/10/2013			
17	4601D311CA	HEAT GUARD SILENCER	1	02/11/2015			
18	77211401BA	SCREW, SPECIAL	2	24/09/2015			
19	75910251A	SPRING	1	24/09/2015			
20	59340301C	ELECTRIC MOTOR, EXHAUST VALVE	1	24/09/2015			
21	57113952A	EXHAUST MANIFOLD	1	16/10/2015			
22	74142531A	CLAMP	1	16/10/2015			
23	74142521A	CLAMP	1	22/10/2013			
24	4601B921A	GUARD, EXHAUST VALVE	1	22/10/2013			
25	77253268C	SCREW	2	05/05/2014			
26	78020011A	PLUG ASSY	2				
27	55214011A	SENSOR LAMBDA SOND	2	22/10/2013			
28	74810241A	NUT	6	22/10/2013			
29	57014272A	HORIZONTAL HEAD EXHAUST PIPE	1	16/10/2015			
30	79010211A	GASKET, EXHAUST PIPE	2	22/10/2013			
31	79925941A	COMPLETE SPRING	2	22/10/2013			
32	57211711A	PIPE, EXHAUST CENTER	1	16/10/2015			
33	88450661A	SNAP RING	2	22/10/2013			
34	73210543A	CABLE, EXHAUST VALVE	1	15/10/2013			
35	77240423C	SCREW TBEIF M6X16 10.9	3	22/10/2013			



SCR00263

DRAWING 019 - EXHAUST SYSTEM [MOD:M 1200R]

GROUP FRAME

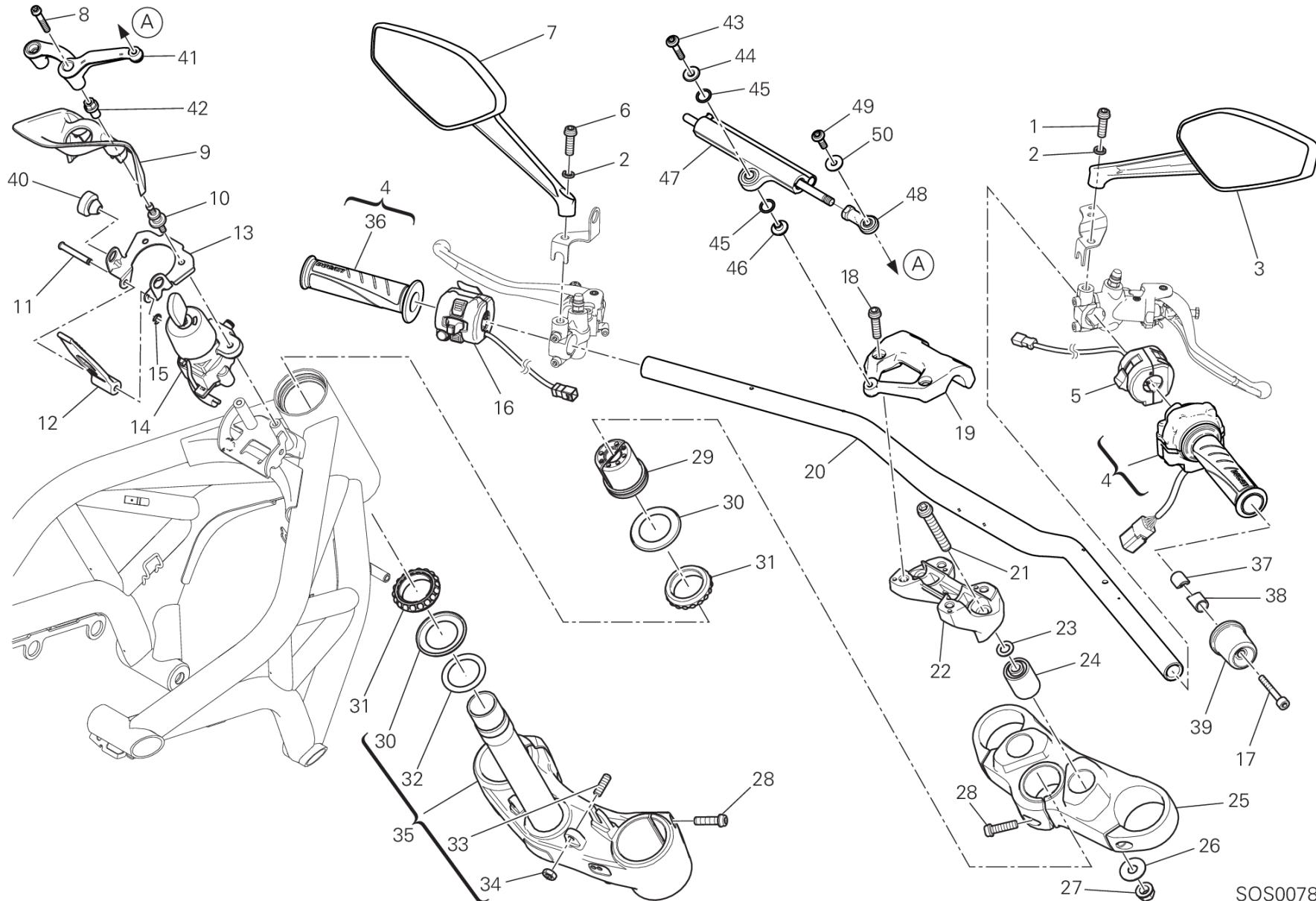


POS.	CODE	DESCRIPTION	QTY	START DATE	END DATE	VALIDITY	NOTES
36	4601B275A	HEAT GUARD REAR VERTICAL	1	22/10/2013			
37	4601B881A	HEAT GUARD UPPER VERTICAL	1	22/10/2013			
38	4602B332A	COVER ASSEMBLY HEAT GUARD VERTICAL	1	22/02/2017			
39	71614691AA	SPACER	3	22/10/2013			
40	85040381A	QUICK FASTENING	3	22/10/2013			
41	74142651A	CLAMP	1	10/03/2016			
42	85212271A	WASHER	6	22/02/2017			



DRAWING 021 - HANDLEBAR AND CONTROLS [MOD:M 1200R]

GROUP FRAME



SOS00787

DRAWING 021 - HANDLEBAR AND CONTROLS [MOD:M 1200R]

GROUP FRAME

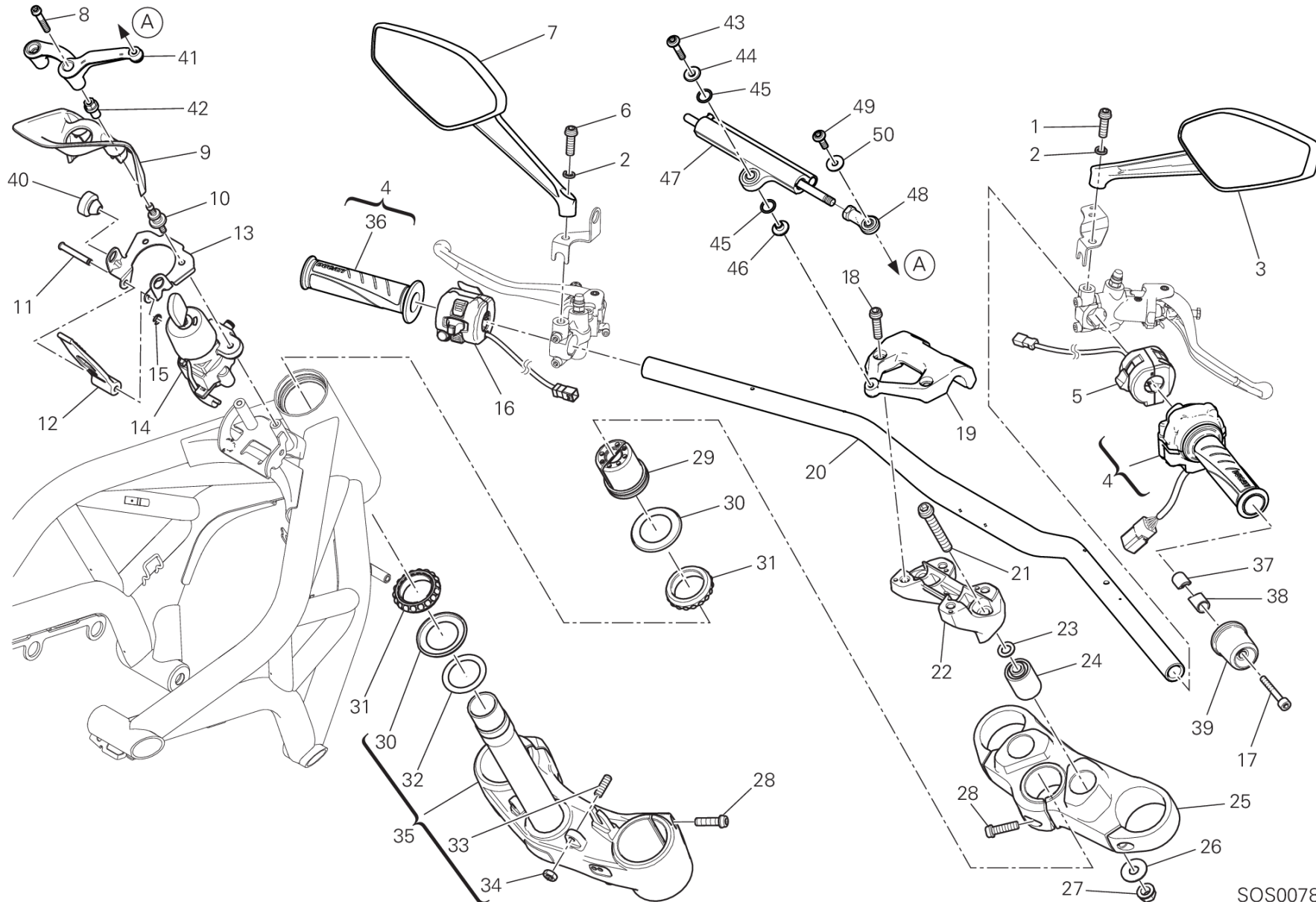


POS.	CODE	DESCRIPTION	QTY	START DATE	END DATE	VALIDITY	NOTES
1	77113731A	SCREW TCEIF M8X25, LEFT THREAD	1	22/10/2013			
2	46210021A	SPRING WASHER 8 MM	2	22/10/2013			
3	52340242AC	RIGHT MIRROR FOR MAT BLACK	1	16/10/2015			
4	66020093B	THROTTLE CONTROL (Unit)	1	21/06/2017			
5	65010122E	RIGHT HANDLE SWITCH	1	30/01/2015			
6	77113741A	SCREW TCEIF M8X25	1	22/10/2013			
7	52340252AC	LEFT MIRROR FOR MAT BLACK	1	16/10/2015			
8	77156723B	SCREW	2	16/10/2015			
9	4601A883A	COVER, IGNITION SWITCH	1	22/10/2013			
10	77110501A	SCREW, SPECIAL	2	22/10/2013			
11	82110901B	FOOTREST PIN	1	22/10/2013			
12	75910301B	RUBBER BAND FUEL TANK	1	15/01/2014			
13	83018601DA	BRACKET, FUEL TANK	1	09/06/2014			
14	65240231A	KEY-OPERATED SWITCH	1	04/04/2013			
15	88450441A	CIRCLIP	1	22/02/2017			
16	65110142A	LEFT HANDLE SWITCH	1	30/01/2015			
17	77150788B	SCREW TCEI M6X65	2	22/10/2013			
18	77157273B	SCREW	4	01/08/2013			
19	36015391BA	HANDLEBAR BRACKET, UPPER	1	30/01/2015			
20	36011831AB	HANDLEBAR	1	30/01/2015			
21	77159418B	SCREW M10X1.25X70	2	01/08/2013			
22	36015342AB	HOLDER, HANDLE LOWER	1	01/08/2013			
23	85250401A	WASHER 10.5X18X1.6	2	01/08/2013			
24	70010541A	CUSHION, HANDLEBAR	2	01/08/2013			
25	34111001AC	STEERING HEAD	1	01/08/2013			
26	85210491B	WASHER 10.5X28X1.5	2	01/08/2013			
27	74840241AB	NUT M10X1.25	2	01/08/2013			
28	77157268B	SCREW	7	01/08/2013			
29	70310761AA	THREAD, STEERING HEAD TOP	1	22/10/2013			
30	93010041B	SEAL RING	2	31/07/2013			
31	70241231A	BEARING, STEERING NTN SF07A17P	2				
32	85211031AB	WASHER	1	31/07/2013			
33	77850281A	THREADED DOWEL STEI M8X25	2	31/07/2013			
34	74750071A	NUT	2	31/07/2013			
35	342P0791AC	STEERING HEAD BASE (Unit)	1	31/07/2013			



DRAWING 021 - HANDLEBAR AND CONTROLS [MOD:M 1200R]

GROUP FRAME



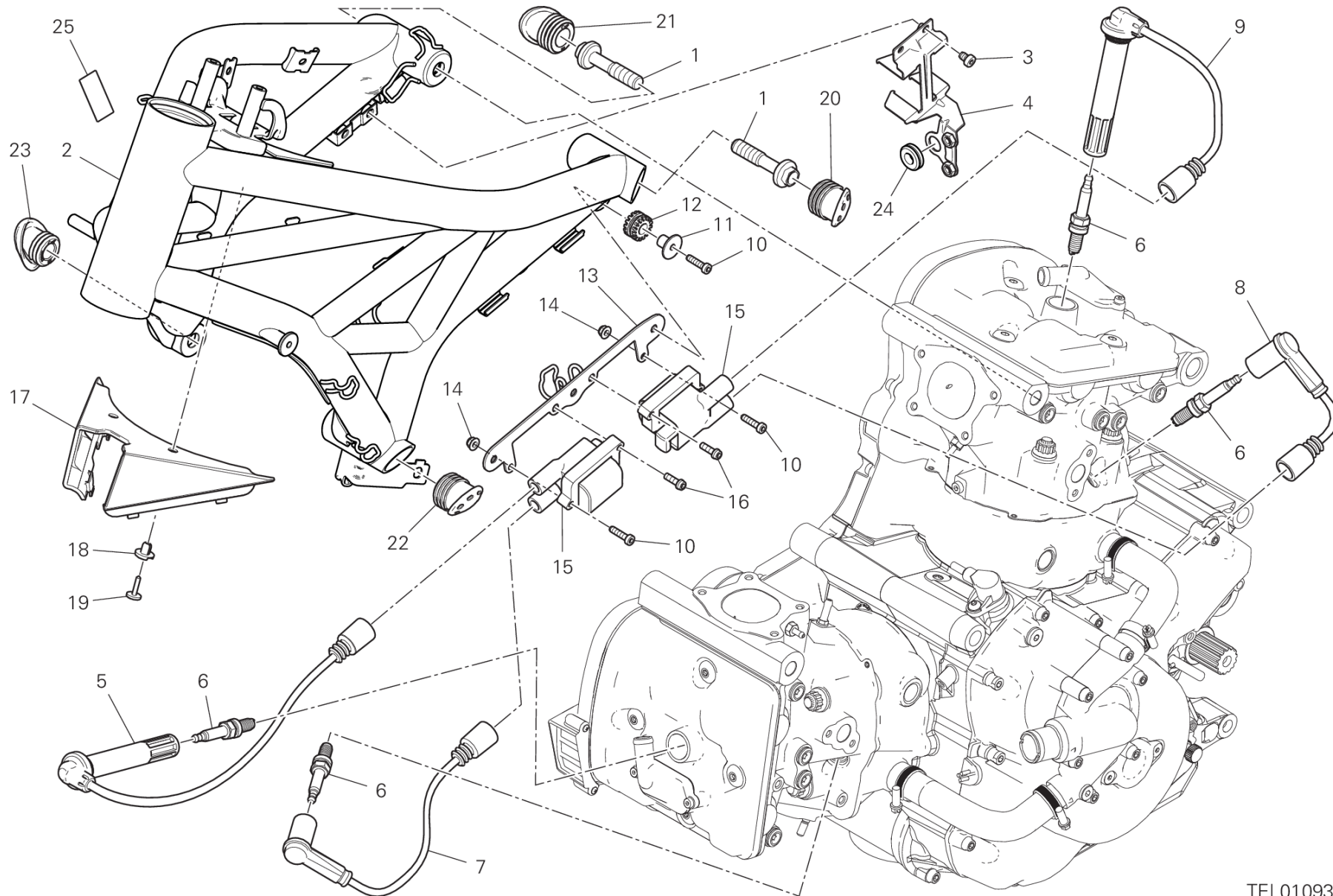
SOS00787

DRAWING 021 - HANDLEBAR AND CONTROLS [MOD:M 1200R]

GROUP FRAME



POS.	CODE	DESCRIPTION	QTY	START DATE	END DATE	VALIDITY	NOTES
36	36140161A	HAND GRIP LH	1	30/04/2015			
37	71111301A	SPINDLE, TAPER	2	22/10/2013			
38	71011071A	BUSH	2	22/10/2013			
39	15310131A	BALANCER SET, HANDLE BAR	2	22/10/2013			
40	86611001A	PAD	2	09/06/2014			
41	8301D751BA	BRACKET	1	16/10/2015			
42	97610191AA	NUT, SPECIAL	2	16/10/2015			
43	77244398BA	SCREW	1	16/10/2015			
44	71319961CA	SPACER	1	16/10/2015			
45	88641061A	O-RING 12.42X1.78	2	16/10/2015			
46	7131B641AA	SPACER	1	16/10/2015			
47	36420151A	STEERING DAMPER (OHLINS)	1	16/10/2015			
48	84820112AA	BALL JOINT	1	16/10/2015			
49	77244358BA	SCREW	1	16/10/2015			
50	85250291A	WASHER 6.4X18X1.6	1	16/10/2015			



TEL01093

DRAWING 022 - FRAME [MOD:M 1200R]

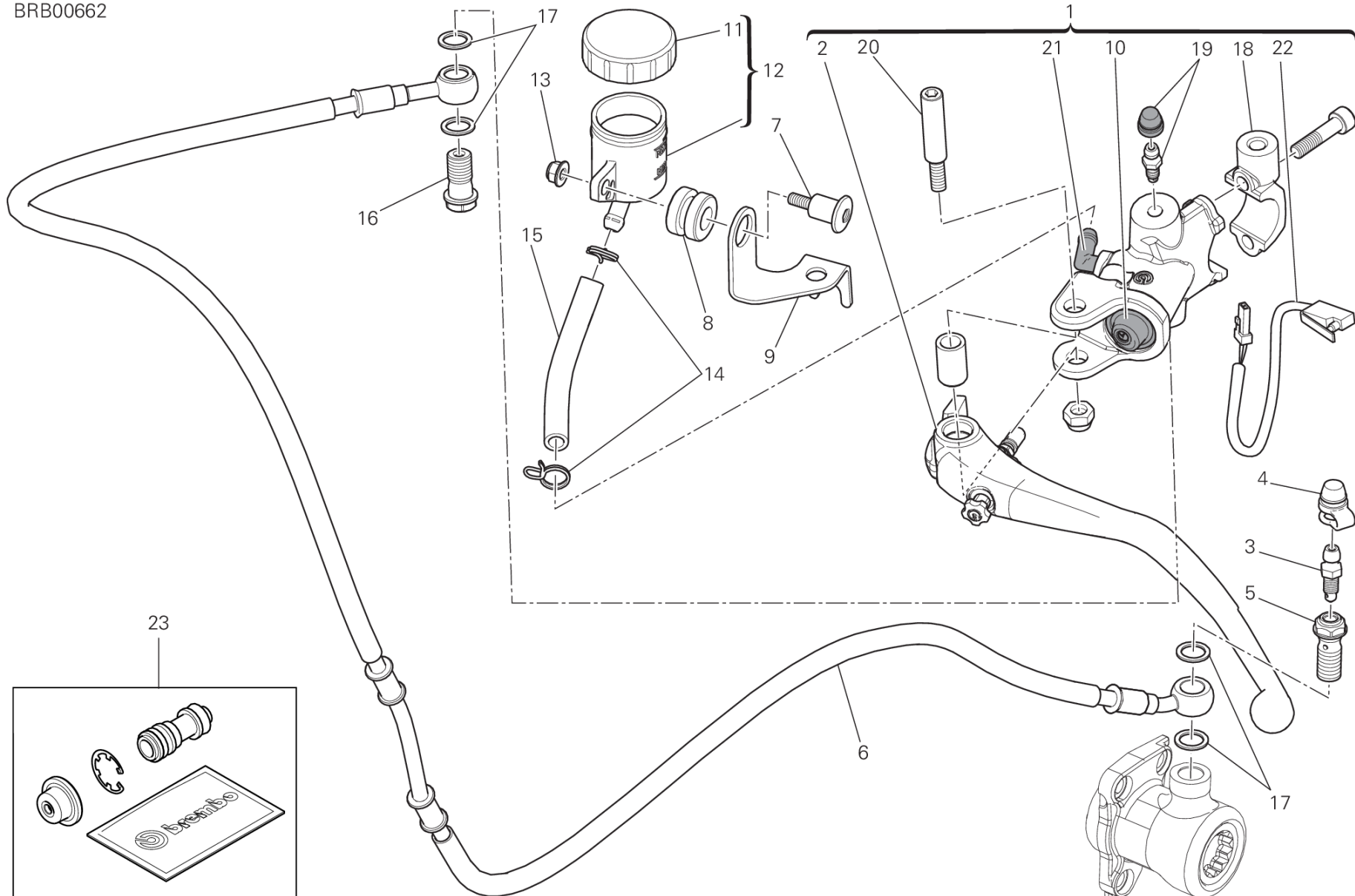
GROUP FRAME



POS.	CODE	DESCRIPTION	QTY	START DATE	END DATE	VALIDITY	NOTES
1	77918291AA	SCREW, SPECIAL	4	22/10/2013			
2	47012951AA	FRAME RED	1			XST:AUS	
	47017922AA	FRAME RED	1	16/10/2015		XST:BLG,EUR,JAP,ROK	
3	77350618B	SCREW TCEIR M6X8	2	22/10/2013			
4	83018172AA	BRACKET, FUSE BOX	1	22/10/2013			
5	67110601D	SPARK PLUG CABLE, HORIZONTAL HEAD	1	22/10/2013			
6	67040451A	SPARK PLUG NGK MAR9A-J	4	26/02/2013			
7	67110611A	CABLE, HORIZONTAL HEAD SPARK PLUG LH	1	22/10/2013			
8	67110581A	CABLE, VERTICAL HEAD SPARK PLUG LH	1	22/10/2013			
9	67110591B	SPARK PLUG CABLE, VERTICAL HEAD	1	22/10/2013			
10	77354743B	SCREW TCEIR M5X20 DIN6912 8.8	5	22/10/2013			
11	71611641AA	SPACER	3	10/03/2016			
12	76410241A	VIBRATION DAMPER PAD	3	22/10/2013			
13	83018431AA	BRACKET, COIL	1	22/10/2013			
14	74810351B	NUT	2	22/10/2013			
15	38040101C	IGNITION COIL	2	22/10/2013			
16	77156413B	SCREW TCEIF M5X16	2	22/10/2013			
17	48211951A	COVER TUBE	1	22/10/2013			
18	85041051A	RIVET, FEMALE	2	22/10/2013			
19	85041041A	RIVET, MALE	2	22/10/2013			
20	87210922A	LEFT PAD	1	10/01/2014			
21	87210912A	RIGHT PAD	1	10/01/2014			
22	87210951A	LEFT PAD Front	1	05/05/2014			
23	87210941A	RIGHT PAD Front	1	05/05/2014			
24	76410981A	VIBRATION DAMPER PAD	1	16/03/2015			
25	92610051A	GUARD	2	14/02/2017			



BRB00662

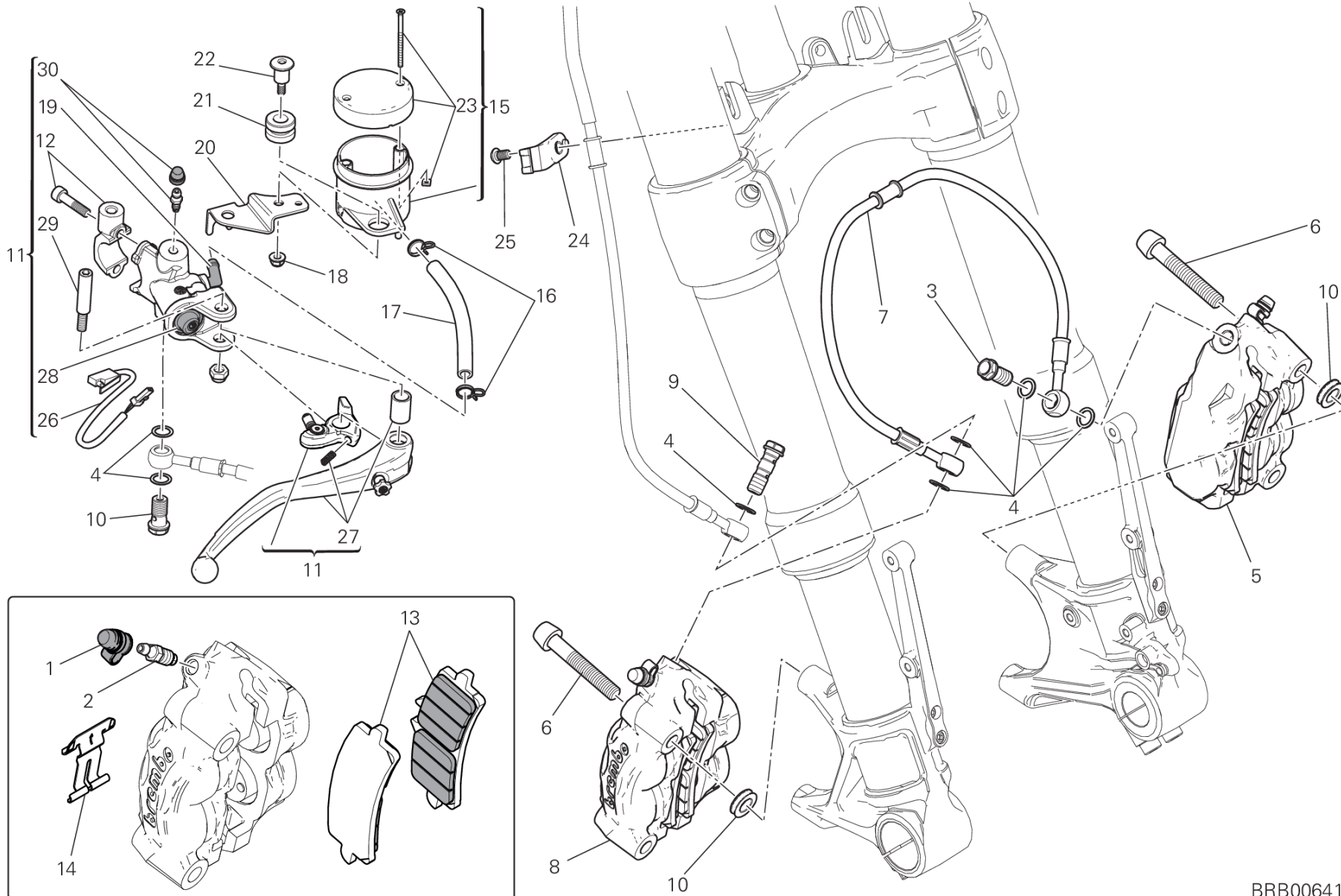


DRAWING 023 - CLUTCH CONTROL [MOD:M 1200R]

GROUP FRAME



POS.	CODE	DESCRIPTION	QTY	START DATE	END DATE	VALIDITY	NOTES
1	63040663A	CLUTCH MASTER CYLINDER	1	30/01/2015			
2	63140631A	LEVER, CLUTCH LIFTER	1	03/04/2013			
3	18710021A	VALVE, BREATHER	1	01/03/2013			
4	61240052A	DUST COVER	1	01/03/2013			
5	77913971A	BOLT, BRAKE HOSE	1	01/03/2013			
6	63210741B	CLUTCH CONTROL PIPE	1	14/10/2016			
7	77910921A	SCREW	1	01/03/2013			
8	76414191A	DAMPER	1	01/03/2013			
9	8291B951BA	BRACKET, BRAKE FLUID TANK	1	30/01/2015			
10	61240391A	DUST COVER	1	01/03/2013			
11	89340241A	TANK CAP CLUTCH	1				
12	58540351A	TANK ASSY, RESERVOIR CLUTCH	1	01/03/2013			
13	74941108B	NUT	1	01/03/2013			
14	74140431A	CLAMP	2	01/03/2013			
15	87711131A	PIPE	1	01/03/2013			
16	77913662AB	BOLT, BRAKE HOSE	1	01/03/2013			
17	85250241A	WASHER 10X14X1	4	01/03/2013			
18	62640891A	BRACKET, CLUTCH MASTER CYLINDER	1	01/03/2013			
19	63140281A	DRAIN	1	01/03/2013			
20	62640561A	BOLT, LEVER	1	01/03/2013			
21	63140081A	JOINT, HOSE	1	01/03/2013			
22	53940501A	SWITCH, CLUTCH	1	01/03/2013			
23	61041991A	BREMBO CLUTCH FLOATING PISTON KIT	1				



BRB00641

DRAWING 024 - FRONT BRAKE SYSTEM [MOD:M 1200R]

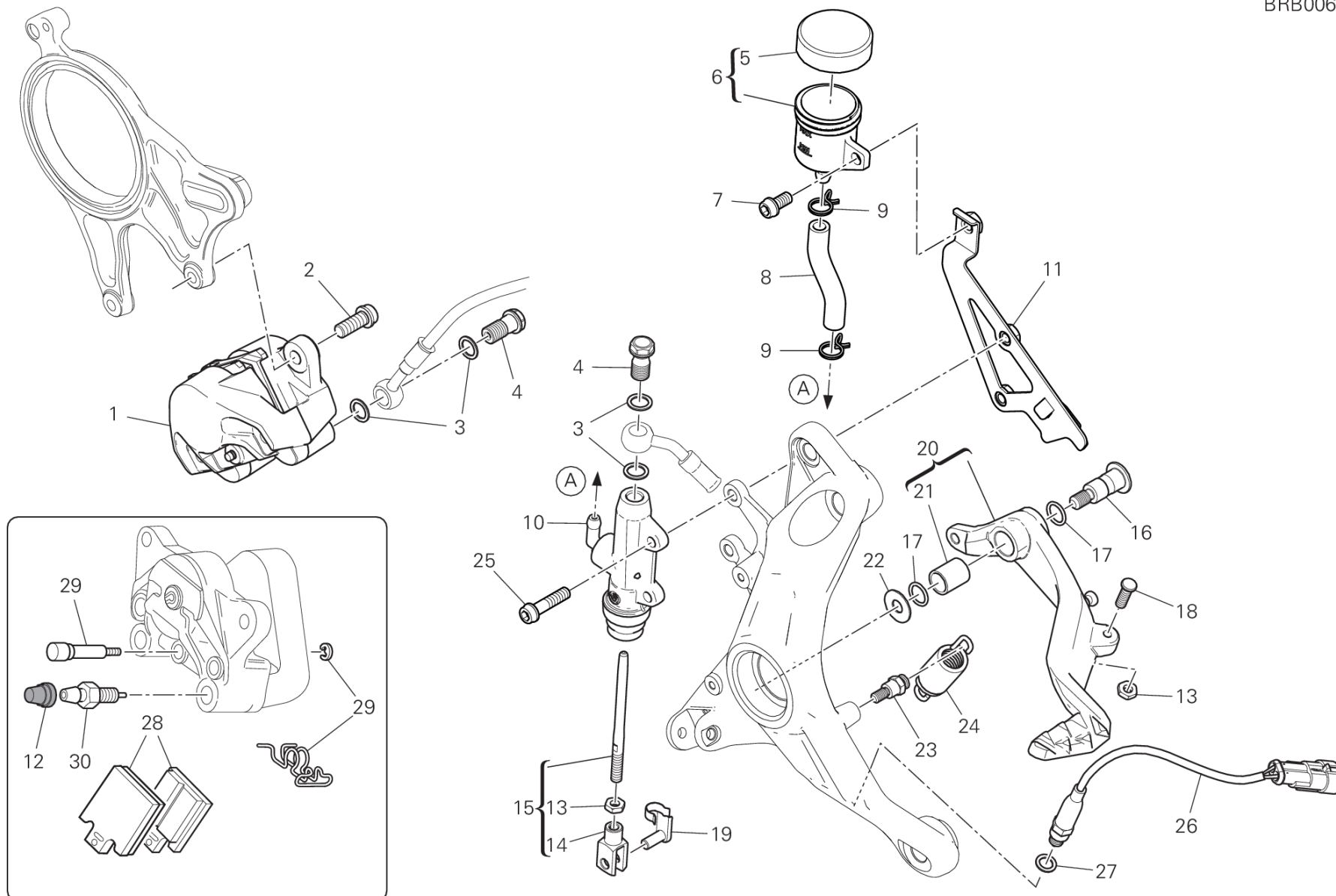
GROUP FRAME



POS.	CODE	DESCRIPTION	QTY	START DATE	END DATE	VALIDITY	NOTES
1	61240052A	DUST COVER	2	20/09/2013			
2	61240201A	FRONT CALIPER DRAIN SCREW	2	20/09/2013			
3	77913662AB	BOLT, BRAKE HOSE	2	20/09/2013			
4	85250241A	WASHER 10X14X1	7	20/09/2013			
5	61041512A	LEFT FRONT BRAKE CALIPER	1	20/09/2013			
6	77913311D	SCREW M 10 X 60	4	22/10/2013			
7	61810901A	HOSE, FRONT BRAKE CALIPER-CALIPER	1	20/09/2013			
8	61041522A	RIGHT FRONT BRAKE CALIPER	1	20/09/2013			
9	77913091AB	SCREW, SPECIAL	1	20/09/2013			
10	71313641A	SPACER	4	22/10/2013			
11	62440943A	FRONT BRAKE PUMP	1	20/09/2013			
12	62640881A	BRACKET, MASTER CYLINDER RH	1				
13	61341101A	PADS PAIR	2	01/07/2012			
14	61240371A	SPRING, PAD STOPPER	2	01/07/2012			
15	58540341A	RESERVOIR, BRAKE FLUID	1	20/09/2013			
16	74140431A	CLAMP	2	20/09/2013			
17	87711111A	HOSE, OIL	1	20/09/2013			
18	74810351B	NUT	1	20/09/2013			
19	63140081A	JOINT, HOSE	1				
20	8291B911BA	BRACKET, BRAKE FLUID TANK	1	20/09/2013			
21	037072020	DAMPER	1	20/09/2013			
22	77910921A	SCREW	1	20/09/2013			
23	89340211A	PLUG ASSY	1				
24	83018691A	GUIDE, FRONT BRAKE HOSE	1	22/10/2013			
25	77510541A	SCREW TBEI M6X10	1	22/10/2013			
26	53940491A	MICROSWITCH	1				
27	63140601A	LEVER, FRONT BRAKE	1				
28	61240391A	DUST COVER	1				
29	62640561A	BOLT, LEVER	1				
30	63140281A	DRAIN	1				



BRB00601

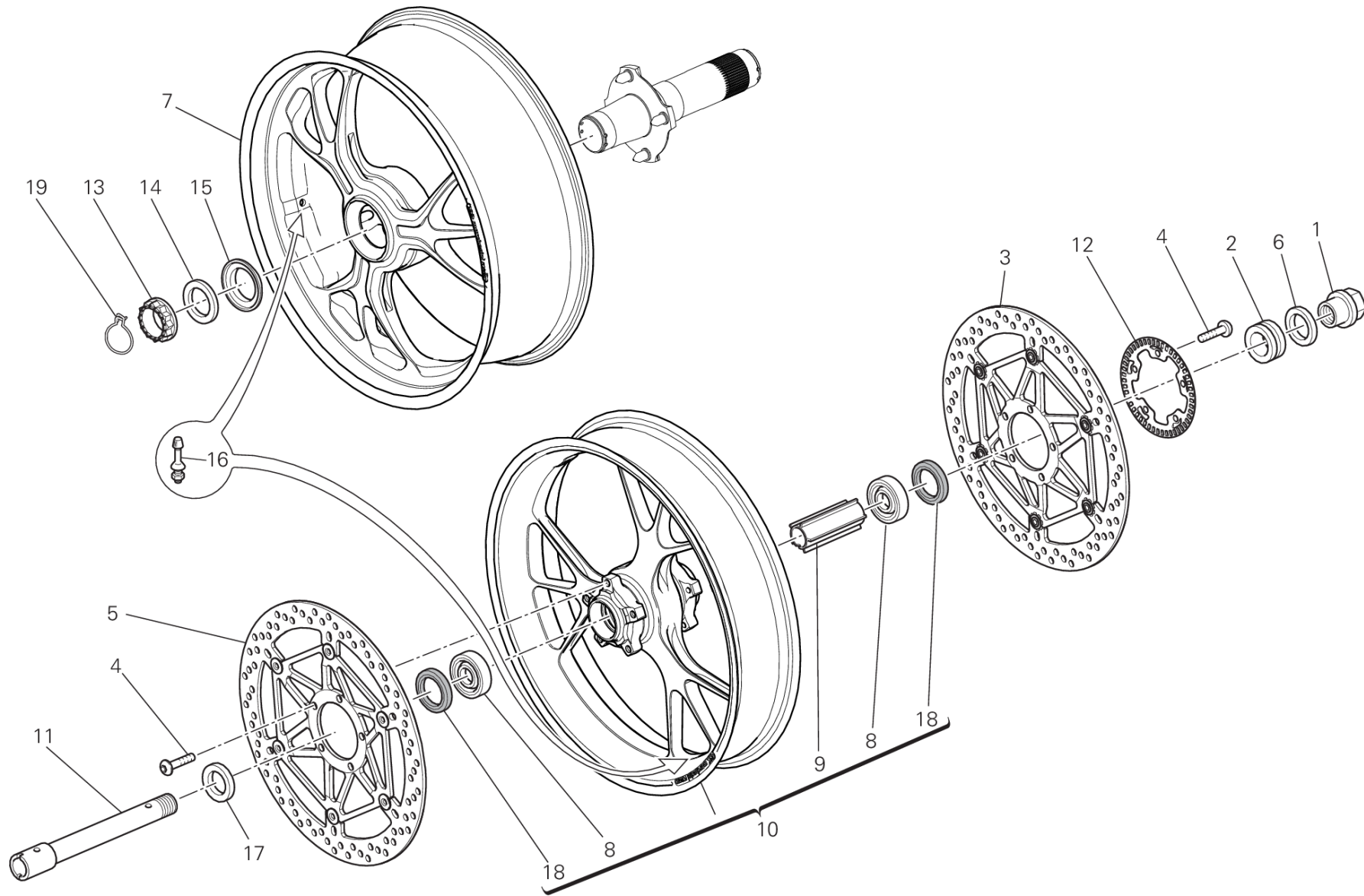


DRAWING 025 - REAR BRAKE SYSTEM [MOD:M 1200R]

GROUP FRAME



POS.	CODE	DESCRIPTION	QTY	START DATE	END DATE	VALIDITY	NOTES
1	61140421A	REAR BRAKE CALIPER	1	20/09/2013			
2	77157238B	SCREW TCEIF M8X20	2	22/10/2013			
3	85250241A	WASHER 10X14X1	4	20/09/2013			
4	77913662AB	BOLT, BRAKE HOSE	2	20/09/2013			
5	89340241A	TANK CAP CLUTCH	1	01/05/2011			
6	58540311A	RESERVOIR, BRAKE FLUID	1	21/01/2015			
7	77113691A	SCREW TCEIF M6X12	1	22/10/2013			
8	87710681A	PIPE	1	09/11/2015			
9	74140431A	CLAMP	2	20/09/2013			
10	62540201A	REAR BRAKE PUMP	1	20/09/2013			
11	82717873BA	BRACKET, TANK	1	21/03/2017			
12	61240081A	DUST PLUG	1				
13	74750051B	NUT	2	01/03/2013			
14	18410051A	FORK HEADS DIN 71752	1	01/03/2013			
15	11723531AA	ROD, BRAKE (Unit)	1	22/10/2013			
16	82111701CA	PIN PEDAL	1	19/09/2013			
17	88641161A	O-RING	2	19/09/2013			
18	77919121AA	SCREW	1	07/02/2014			
19	85010151A	QUICK FASTENING	1	22/10/2013			
20	45720571AA	BRAKE CONTROL LEVER (Unit)	1	19/09/2013			
21	71210341A	BUSH	1	01/03/2013			
22	85210532A	WASHER 8.2X20X1	1	19/09/2013			
23	82112731A	PIN	1	19/09/2013			
24	79925771B	COMPLETE SPRING	1	19/09/2013			
25	77310021A	SCREW TCEIR M6X25	2	22/10/2013			
26	53940031C	SWITCH, STOP	1	19/09/2013			
27	42020008A	COPPER GASKET 11X8.2X1	1	19/09/2013			
28	61340951A	REAR BRAKE PADS SET	1	10/06/2013			
29	61240161A	PAD PINS OVERHAUL KIT	1				
30	63140161A	FRONT CALIPER DRAIN SCREW	1				



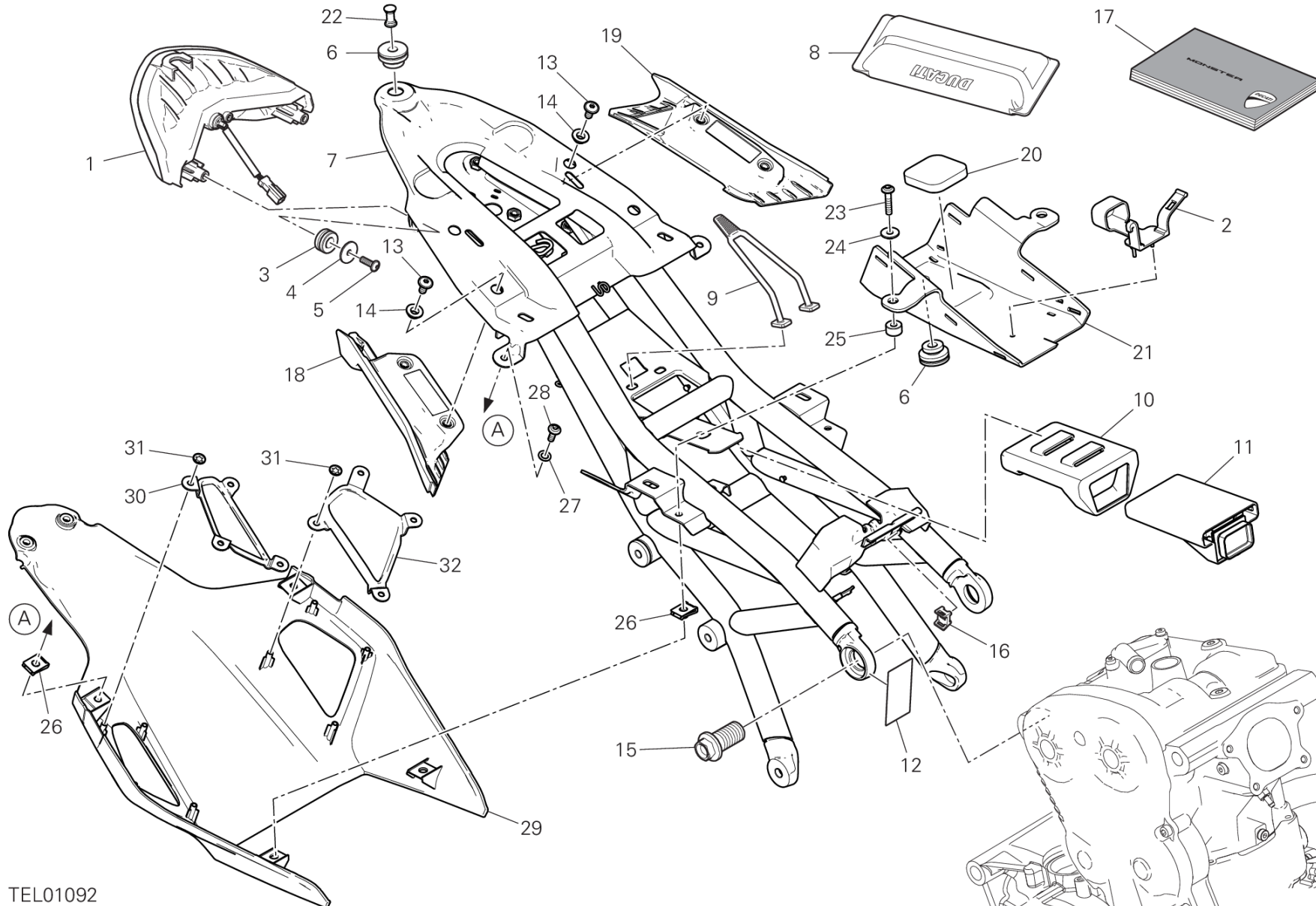
TEL00932

DRAWING 026 - RUOTA ANTERIORE E POSTERIORE [MOD:M 1200R]

GROUP FRAME



POS.	CODE	DESCRIPTION	QTY	START DATE	END DATE	VALIDITY	NOTES
1	74810651A	NUT	1	08/05/2013			
2	71311973A	LEFT SPACER	1	08/05/2013			
3	49241351A	DISC, FRONT BRAKE LH	1	26/09/2013			
4	77913991A	SCREW M8X20	10	14/05/2015			
5	49241341A	DISC, FRONT BRAKE RH	1	26/09/2013			
6	85212221A	WASHER 30X40X1	1	08/05/2013			
7	50221861AA	REAR WHEEL RIM CROMO	1	14/05/2015			
8	70250451A	BEARING	2	26/09/2013			
9	71410471A	INNER SPACER	1	26/09/2013			
10	50121881AB	FRONT WHEEL RIM CROMO	1	14/05/2015			
11	81910601A	FRONT WHEEL SPINDLE	1	08/05/2013			
12	50410051A	FRONT PHONIC WHEEL	1	15/04/2013			
13	75012072AA	NUT	1	18/05/2017			
14	85212211A	WASHER 48.5X65X0.5	1	08/05/2013			
15	71411352AA	SPACER	1	22/02/2017			
16	49720031A	VALVE, TUBELESS TIRE	2	15/04/2013			
17	71311961A	RIGHT SPACER	1	08/05/2013			
18	93040521A	SEAL RING 35X47.15X6.8	2	26/09/2013			
19	75910222A	CLIP	1	08/05/2013			



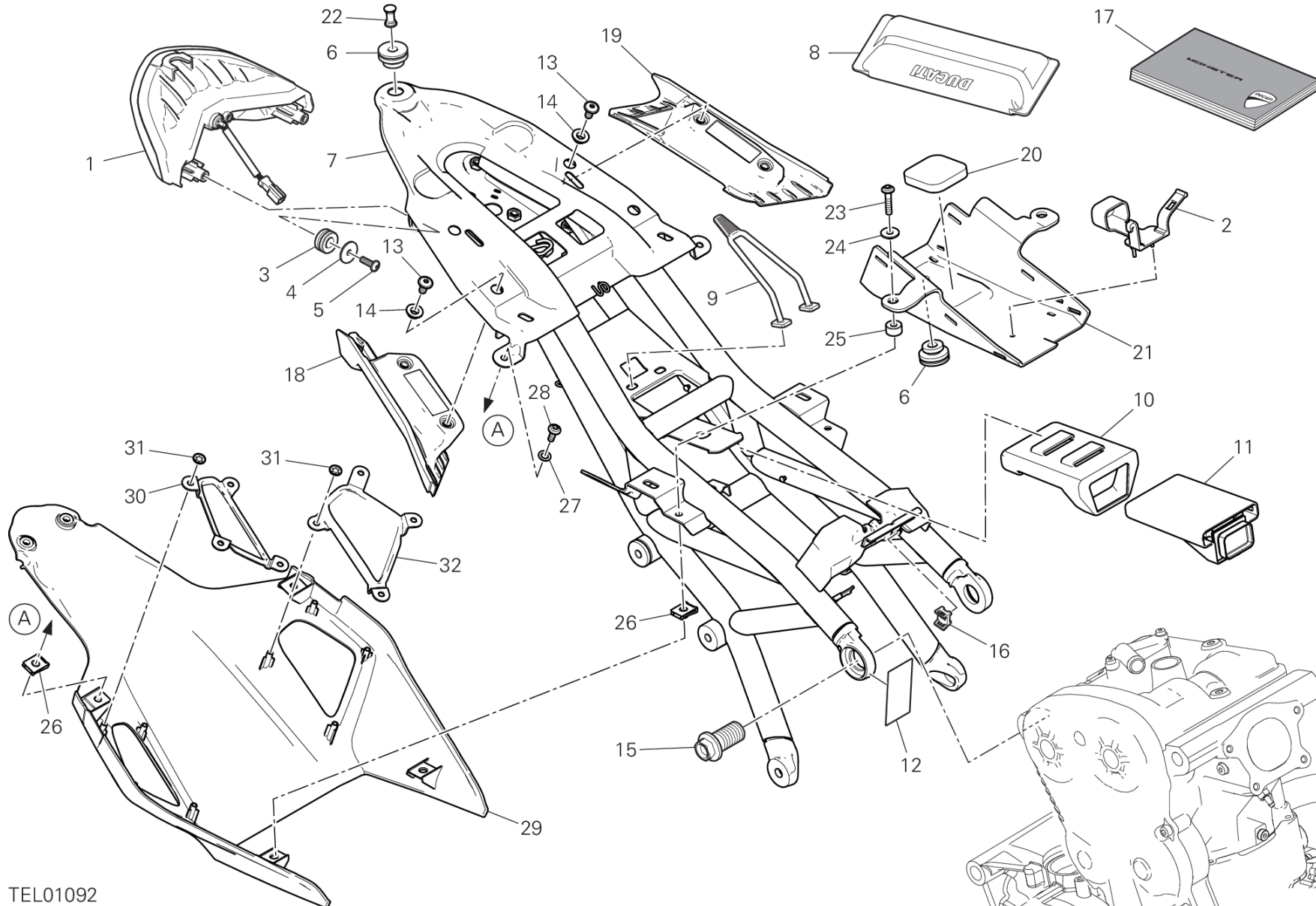
TEL01092

DRAWING 027 - REAR FRAME COMP. [MOD:M 1200R]

GROUP FRAME



POS.	CODE	DESCRIPTION	QTY	START DATE	END DATE	VALIDITY	NOTES
1	52510483B	TAILLIGHT	1	01/08/2013			
2	74110401A	CLAMP	1	03/11/2015			
3	76412101A	RUBBER PAD	2	01/08/2013			
4	71614921AA	SPACER	2	03/11/2015			
5	77440041A	SCREW, TAPPING M5X16	2	22/10/2013			
6	76412091A	VIBRATION DAMPER PAD	1	22/10/2013			
7	47017902BA	REAR FRAME COMP.	1	23/03/2016			
8	69720292B	TOOLS KIT	1	20/10/2013			
9	75910311A	RUBBER BAND, TOOLS KIT	1	20/10/2013			
10	86611521A	VIBRATION DAMPER HOLDER	1	01/08/2013			
11	38510521B	BLACKBOX UNIT	1	27/10/2015			
12	92610051A	GUARD	2	01/08/2013			
13	77240403C	SCREW	4	03/11/2015			
14	71615211AA	SPACER	4	27/10/2015			
15	77918301AB	SCREW, SPECIAL	2	01/12/2013			
16	85040671A	CLAMP TUCKER	3	01/08/2013			
17	91373931A	OWNER'S MANUAL	1			XST:AUS,BLG,EUR	DEU-FRA-GBR-ITA
	91373931B	OWNER'S MANUAL	1			XST:EUR,JAP	ESP-FRA-GBR-JPN
	91373931C	OWNER'S MANUAL	1			XST:EUR	ESP-GRC-PRT
	91373931D	OWNER'S MANUAL	1			XST:EUR,ROK	FRA-NLD-KOR-GBR-CHN
	91373931E	OWNER'S MANUAL	1			XST:EUR	DNK-FIN-NOR-SWE
	91373931F	OWNER'S MANUAL	1			XST:EUR	CZE-POL-SVK-SLO-HR
	91373931G	OWNER'S MANUAL	1			XST:EUR	BGR-HUN-ROU-RUS
18	80610391A	HANDLE RH	1	03/11/2015			
19	80610401A	HANDLE, LEFT	1	03/11/2015			
20	86611811A	PAD BLACKBOX UNIT	1	03/11/2015			
21	4601D913A	TRAY	1	23/03/2016			
22	82115511A	PIN	1	03/11/2015			
23	77244233B	SCREW	2	03/11/2015			
24	71611071B	SPACER	2	03/11/2015			
25	7131B921AA	SPACER	2	03/11/2015			
26	85040551A	QUICK FASTENING	4	03/11/2015			
27	85550001B	SPRING WASHER	2	03/11/2015			
28	77244183B	SCREW	2	03/11/2015			
29	4601D321B	GUARD	1	03/11/2015			



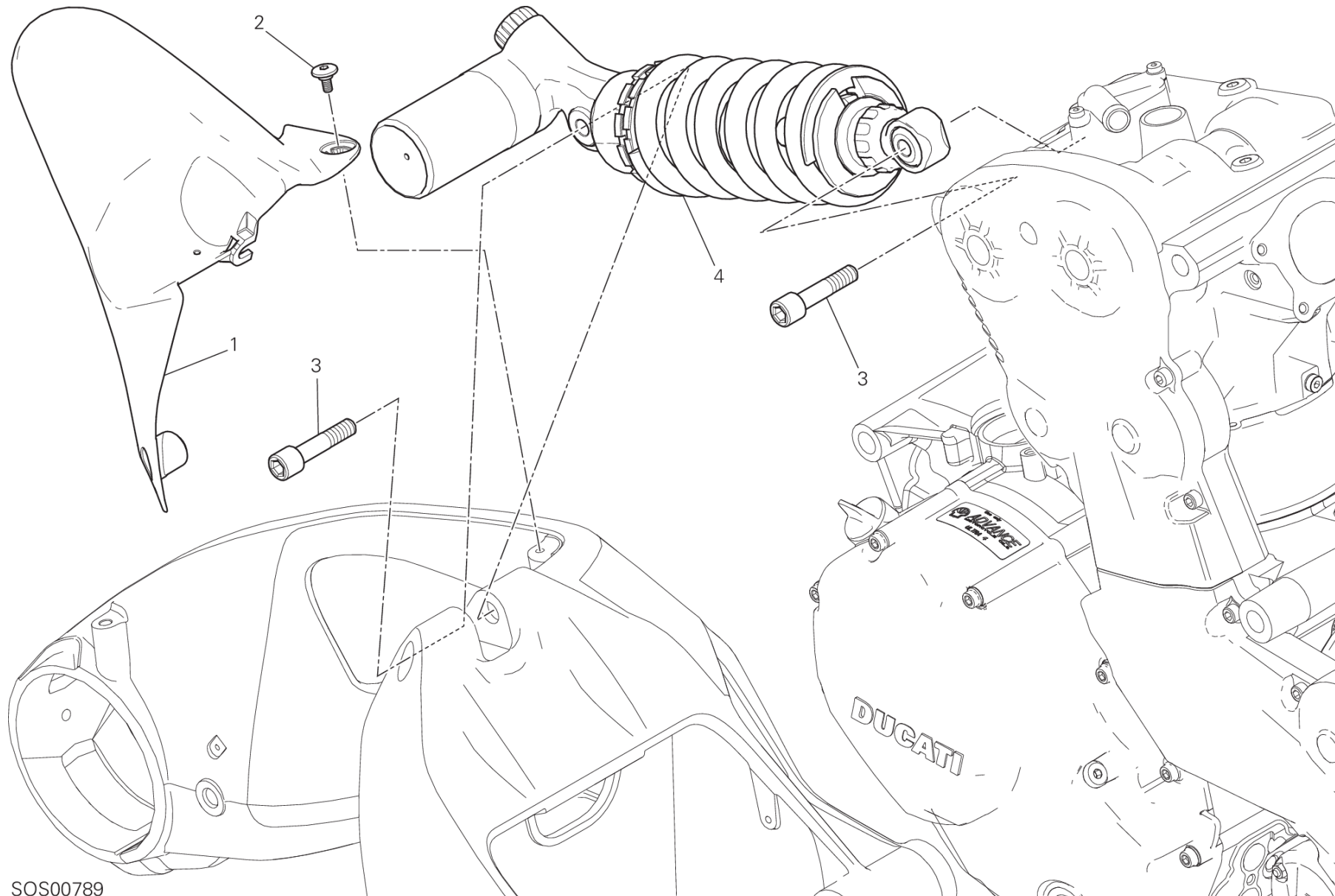
TEL01092

DRAWING 027 - REAR FRAME COMP. [MOD:M 1200R]

GROUP FRAME



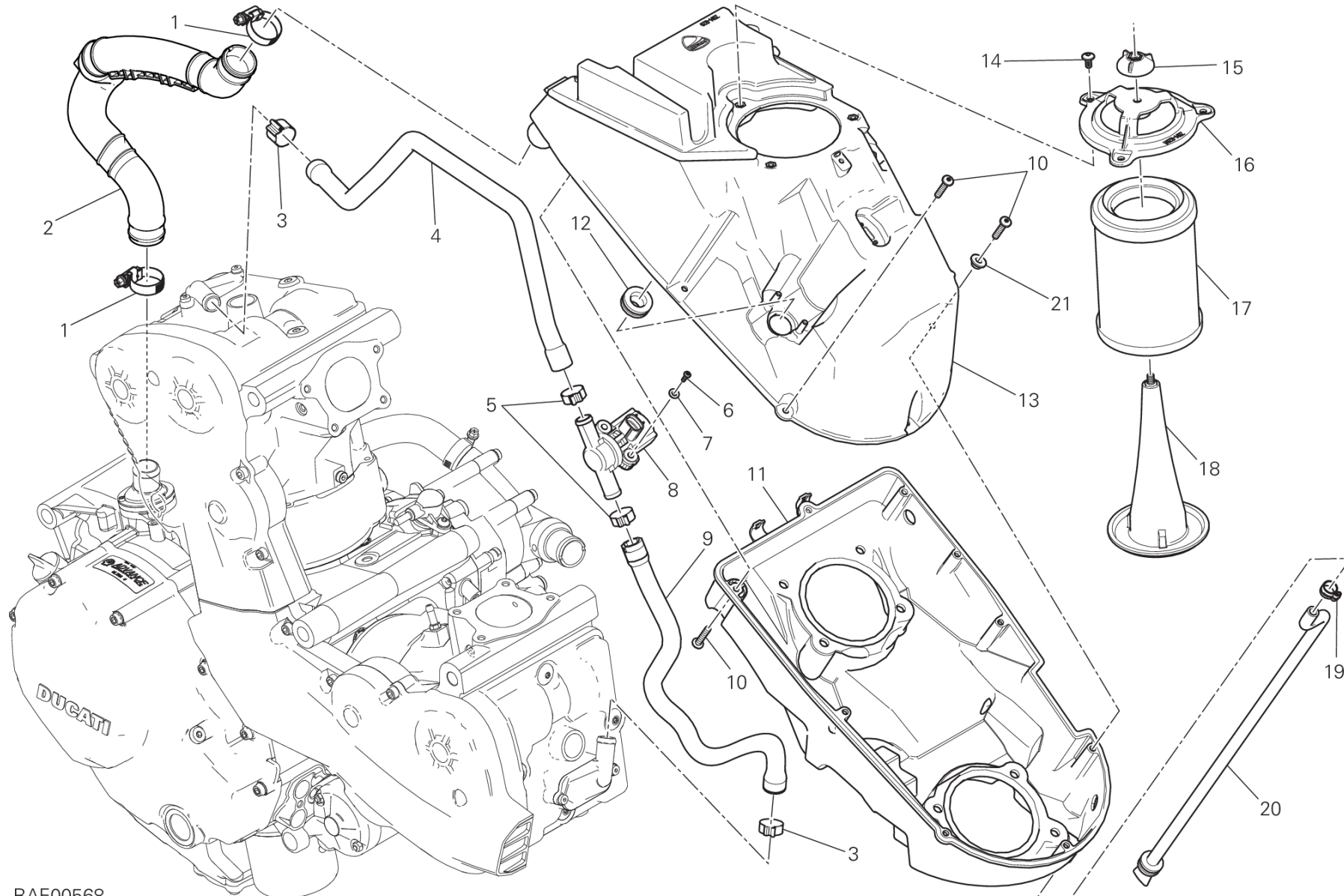
POS.	CODE	DESCRIPTION	QTY	START DATE	END DATE	VALIDITY	NOTES
30	4601D331A	MASH RIGHT	1	03/11/2015			
31	85040521A	CLIP	8	03/11/2015			
32	4601D341A	MASH LEFT	1	03/11/2015			



SOS00789



POS.	CODE	DESCRIPTION	QTY	START DATE	END DATE	VALIDITY	NOTES
1	56510681A	REAR MUDGUARD	1	22/10/2013			
2	77914871C	SCREW	3	22/10/2013			
3	77915041A	SCREW, SPECIAL	2	22/10/2013			
4	36521411A	SHOCK ABSORBER REAR OHLINS	1	16/10/2015			



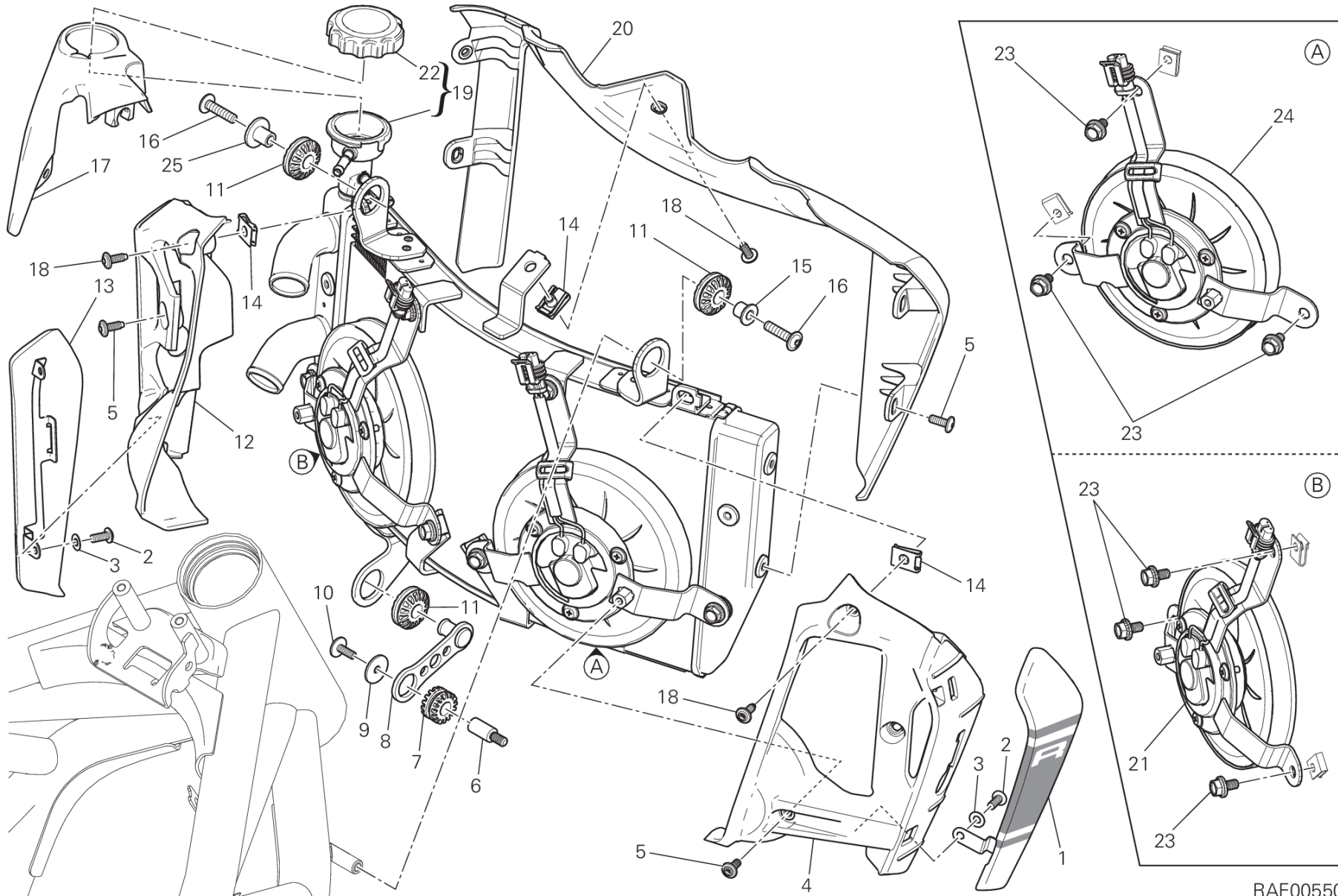
RAF00568

DRAWING 029 - AIR INTAKE - OIL BREATHER [MOD:M 1200R]

GROUP FRAME



POS.	CODE	DESCRIPTION	QTY	START DATE	END DATE	VALIDITY	NOTES
1	74142581A	CLAMP 16-27 MM	2	16/10/2015			
2	87612921A	HOSE, BLOW-BY	1	16/10/2015			
3	74142371A	CLAMP	2	05/05/2014			
4	87611211A	DUCT, AIR VERTICAL	1	12/03/2013			
5	74142401A	CLAMP	2	25/10/2013			
6	77440101A	SCREW, TAPPING 3.5X10	1	06/08/2014			
7	85240211A	WASHER 4.7X10X1	1	12/03/2013			
8	65540091A	ACTUATOR	1	12/03/2013			
9	87611221B	DUCT, AIR HORIZONTAL	1	01/09/2013			
10	77440131A	SCREW, TAPPING 5X25 WN1411	9	12/03/2013			
11	44212781B	AIR FILTER BOX LOWER	1	12/03/2013			
	44213111A	LOWER FILTER BOX	1	06/08/2014			
12	76411621A	RUBBER PAD	1	12/03/2013			
13	44212792D	AIR FILTER BOX UPPER	1	06/08/2014			
14	77240253C	SCREW	3	12/03/2013			
15	70310481A	RING NUT	1	12/03/2013			
16	24612162A	FILTER COVER UNIT	1	01/09/2013			
17	42610191A	FILTER, AIR	1	12/03/2013			
18	82919612A	CAGE, AIR FILTER	1	12/03/2013			
19	74140651A	CLAMP	1	12/03/2013			
20	59014471A	HOSE, DRAIN AIRBOX	1	12/03/2013			
21	71615071AA	SPACER	1				



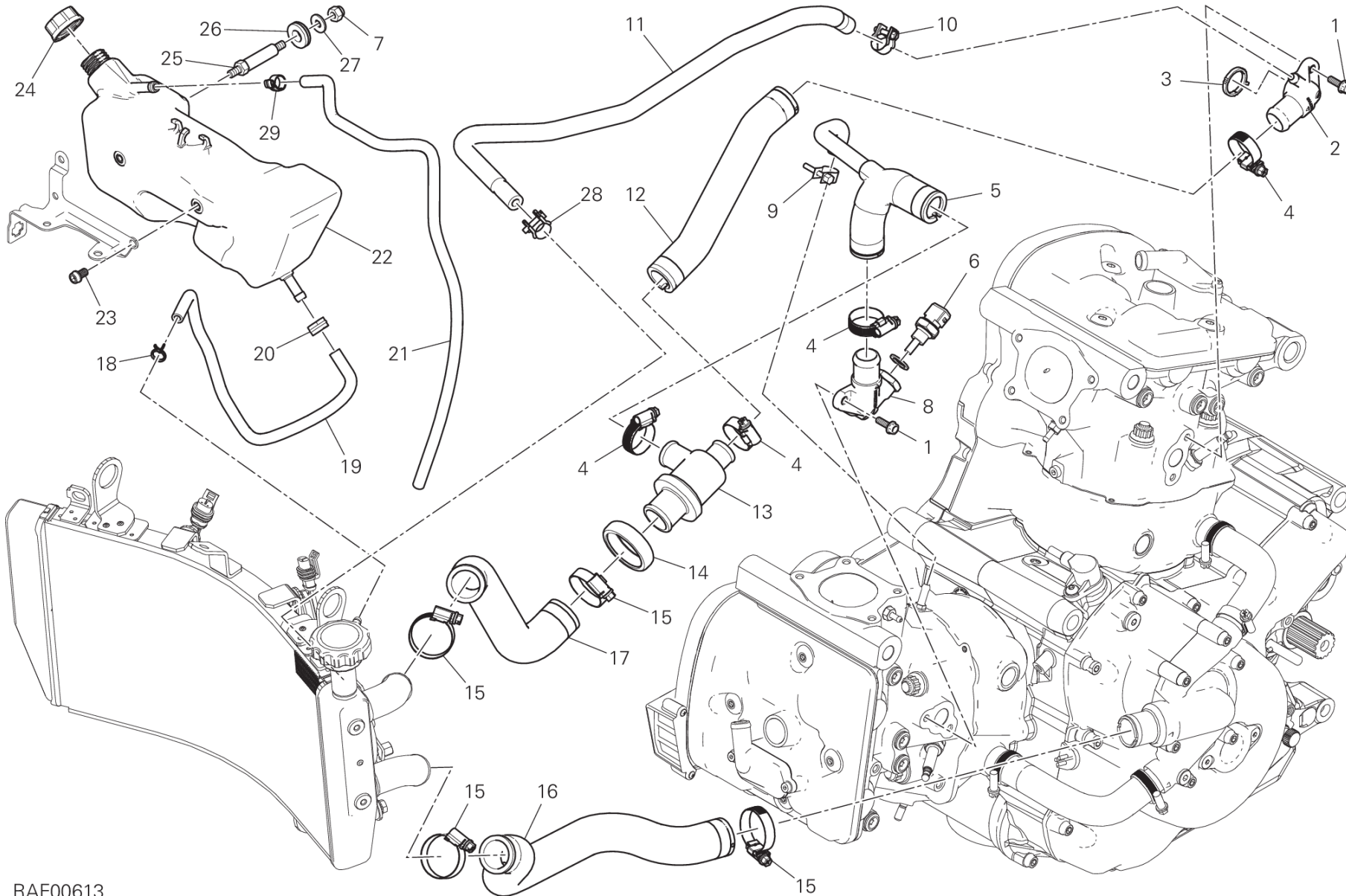
RAF00550

DRAWING 030 - WATER COOLER [MOD:M 1200R]

GROUP FRAME



POS.	CODE	DESCRIPTION	QTY	START DATE	END DATE	VALIDITY	NOTES
1	48016211C	RIGHT COVER	1	20/04/2015			
2	77440171A	SCREW	4	28/10/2013			
3	85240131A	WASHER 5.3X15X1	4	28/10/2013			
4	48016191B	AIR SHROUD CYLINDER RIGHT	1	28/10/2013			
5	77211091A	SCREW TBEI M5X12	8	28/10/2013			
6	77916081A	SCREW, SPECIAL	1	22/10/2013			
7	76410241A	VIBRATION DAMPER PAD	1	28/10/2013			
8	83018971A	BRACKET	1	19/09/2013			
9	85241711A	WASHER 5.3X20X1.5	1	22/10/2013			
10	77510471A	SCREW TBEI M5X14	1	22/10/2013			
11	76411361A	VIBRATION DAMPER PAD	3	28/10/2013			
12	48016181A	AIR SHROUD CYLINDER LEFT	1	28/10/2013			
13	48016201C	LEFT COVER	1	20/04/2015			
14	85040551A	QUICK FASTENING	3	19/09/2013			
15	71614971AA	SPACER	1	31/10/2014			
16	77550191A	SCREW	2	01/02/2015			
17	48016242B	COVER	1	22/10/2013			
18	77211091C	SCREW	3	28/10/2013			
19	54841025A	WATER COOLER ASSY	1	31/10/2014			
20	48016171B	COVER Front	1	28/10/2013			
21	55040271A	ELECTRIC FAN, LEFT	1				
22	87240921A	RADIATOR CAP	1				
23	77250988B	SCREW TEF M6X14	6				
24	55040281A	ELECTRIC FAN, RIGHT	1				
25	71614091A	SPACER	1	20/04/2015			



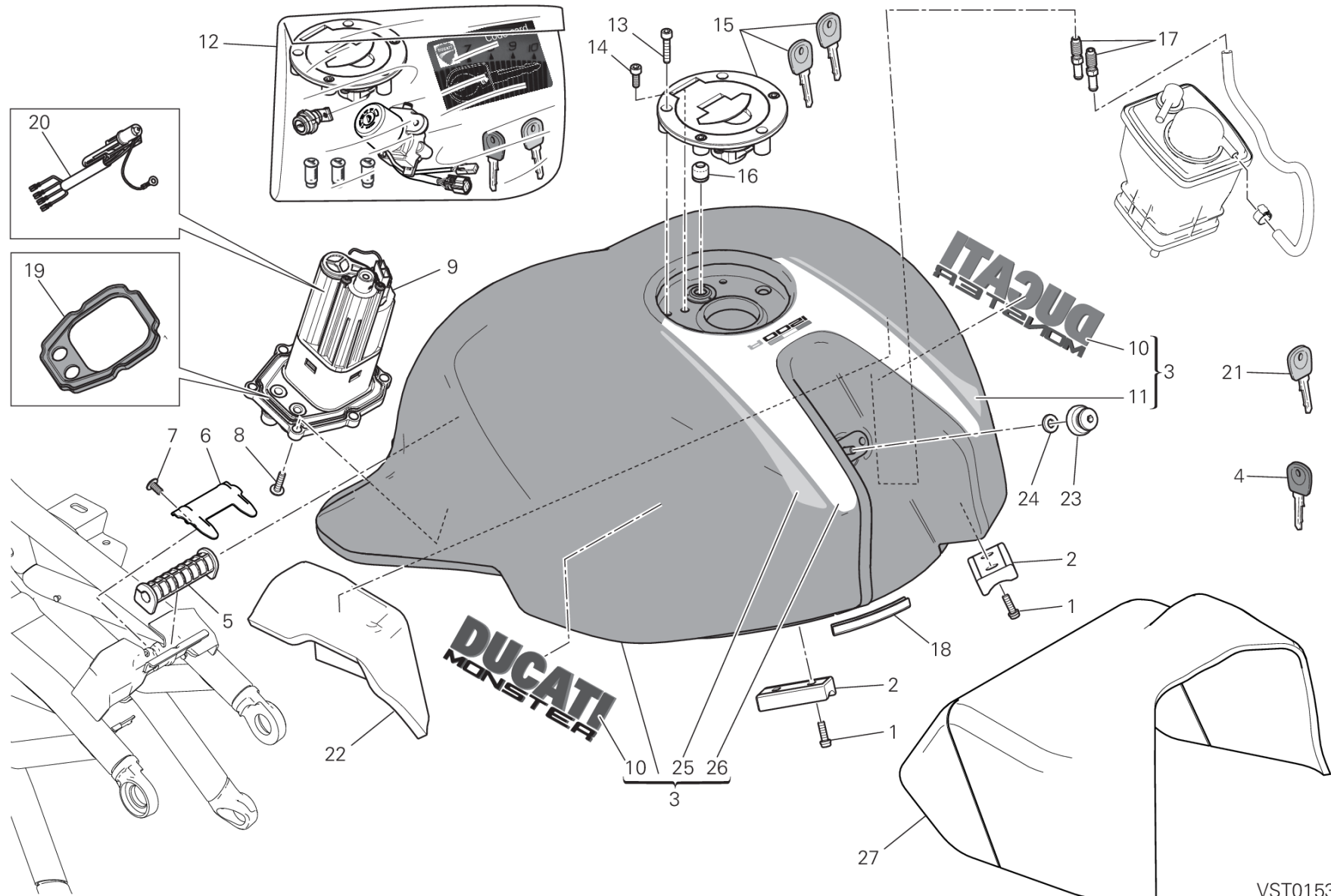
RAF00613

DRAWING 031 - COOLING SYSTEM [MOD:M 1200R]

GROUP FRAME



POS.	CODE	DESCRIPTION	QTY	START DATE	END DATE	VALIDITY	NOTES
1	77210623B	SCREW	4	18/02/2013			
2	81413261A	JOINT, WATER HOSE VERTICAL	1	18/02/2013			
3	88641031A	O-RING	1	18/02/2013			
4	74142581A	CLAMP 16-27 MM	4	16/10/2015			
5	80012311A	THERMOSTAT PUMP HOSE HORIZONTAL	1	22/10/2013			
6	55243442A	WATER TEMPERATURE SENSOR	1	24/03/2015			
7	74941113B	NUT	1	22/02/2017			
8	81420051A	JOINT, WATER HOSE HORIZONTAL	1	15/09/2015			
9	74142501A	CLAMP	1	16/03/2015			
10	74142121A	CLAMP	1	22/10/2013			
11	80012301A	BREATHER PIPE VERTICAL HEAD	1	28/10/2013			
12	80012321A	THERMOSTAT PUMP HOSE VERTICAL	1	22/10/2013			
13	55340041A	THERMO-SWITCH	1	22/10/2013			
14	88110461A	THERMOSTAT PROTECTION RING	1	22/10/2013			
15	74142591A	CLAMP 20-35 MM	4	16/10/2015			
16	80012521A	HOSE PUMP/COOLER	1	16/10/2015			
17	80012332A	HOSE COOLER/THERMOSTAT	1	22/10/2013			
18	74140571A	CLAMP	1	22/10/2013			
19	87610581A	PIPE	1	25/10/2013			
20	74140641A	CLAMP	1	01/08/2013			
21	93410212A	HOSE, DRAIN	1	12/02/2014			
22	58510822B	TANK, WATER RESERVOIR	1	01/08/2013			
23	77156623B	SCREW TCEIF M6X10 8.8	2	01/08/2013			
24	89310143A	TANK CAP	1	01/08/2013			
25	77116671AA	HOLDER	1	01/08/2013			
26	76410981A	VIBRATION DAMPER PAD	1	22/10/2013			
27	85211911A	WASHER 6.4X16X1.5	1	22/10/2013			
28	74142181A	CLAMP	1	03/12/2013			
29	74141711A	CLAMP 10-7 MM	1	12/02/2014			



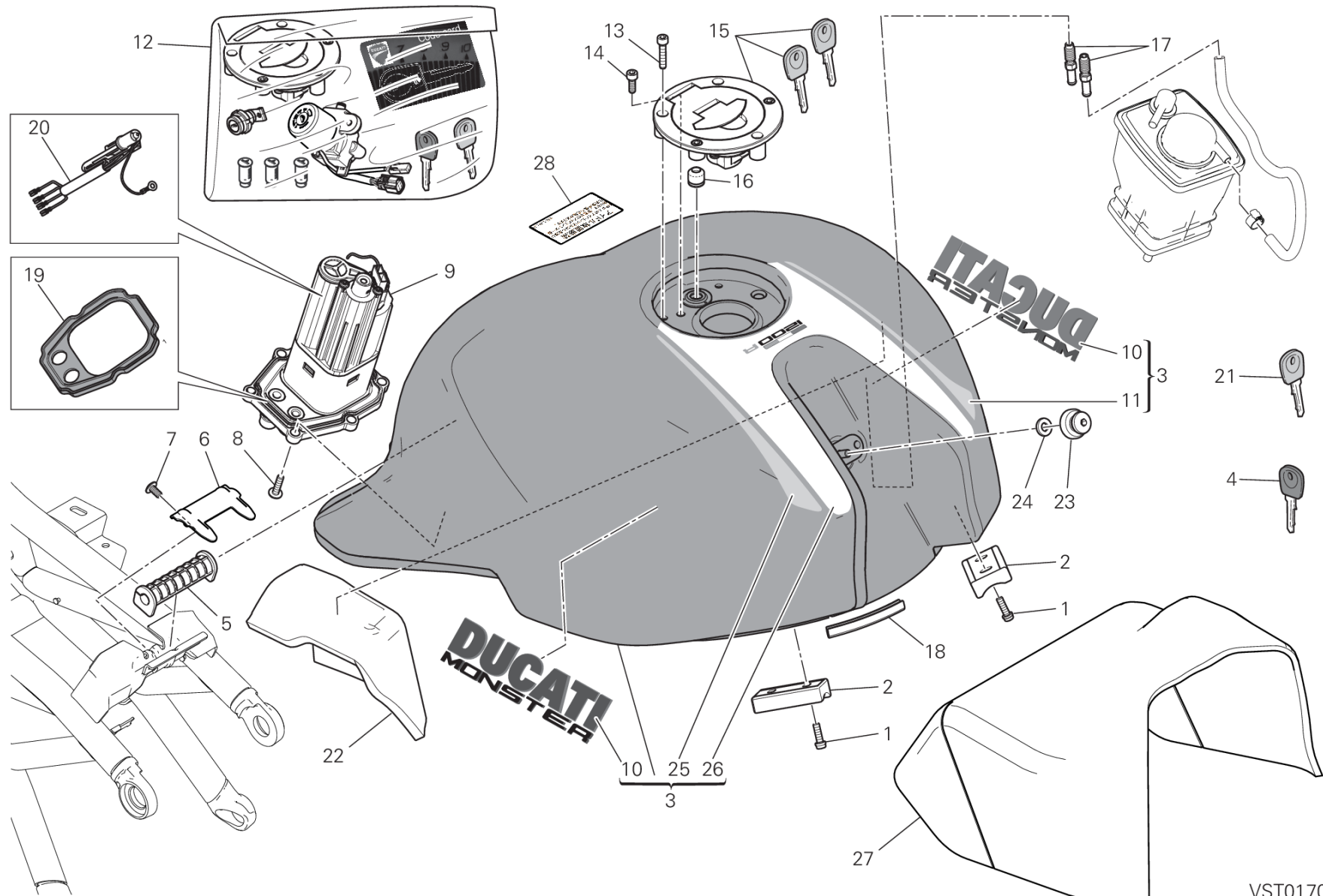
VST01533

DRAWING 032 - FUEL TANK [MOD:M 1200R;XST:AUS,BLG,EUR,JAP,ROK]

GROUP FRAME



POS.	CODE	DESCRIPTION	QTY	START DATE	END DATE	VALIDITY	NOTES
1	77156413B	SCREW TCEIF M5X16	4	01/03/2013			
2	86611721C	PAD, FUEL TANK	2	01/03/2013			
3	58612001CP	FUEL TANK, RED	1	20/04/2015			
4	59840183A	KEY WITHOUT TRANSPONDER	1	04/04/2013			
5	70010811A	RUBBER PAD	1	25/06/2013			
6	82610351BA	PLATE	1	22/10/2013			
7	71850163C	SCREW	1	22/02/2017			
8	77244213B	SCREW	6	25/06/2013			
9	16024291A	FLANGE FUEL PUMP	1	25/06/2013			
10	43819621A	EMBLEM DUCATI	2	13/11/2014			
11	43816311AA	LEFT STICKER GRAY	1	22/06/2015			
12	59821061A	LOCKS KIT	1	01/08/2013			
13	77150457E	SCREW M5X25	3	22/10/2013			
14	77150408B	SCREW TCEI M5X14	1	22/10/2013			
15	89520072A	TANK CAP	1	04/04/2013			
16	79111111A	GASKET	1	25/06/2013			
17	81413251A	UNION	2	25/06/2013			
18	76412061A	RUBBER SECTION	1	01/04/2014			
19	69926951A	GASKET KIT	1				
20	55243191A	THERMISTOR	1				
21	59840361A	KEY WITH TRANSPONDER	1	04/04/2013			
22	4601B901B	GUARD CONTROL UNIT	1	16/07/2013			
23	83510162A	KNOB	1				
24	85610421A	WASHER, NYLON 6X12X0.5	1				
25	43816321AA	RIGHT STICKER GRAY	1	22/06/2015			
26	43819991AA	STICKER CENTRE WHITE UPPER	1	29/05/2015			
27	48611101C	DAMPER, SOUND ARRESTER	1	10/11/2015			



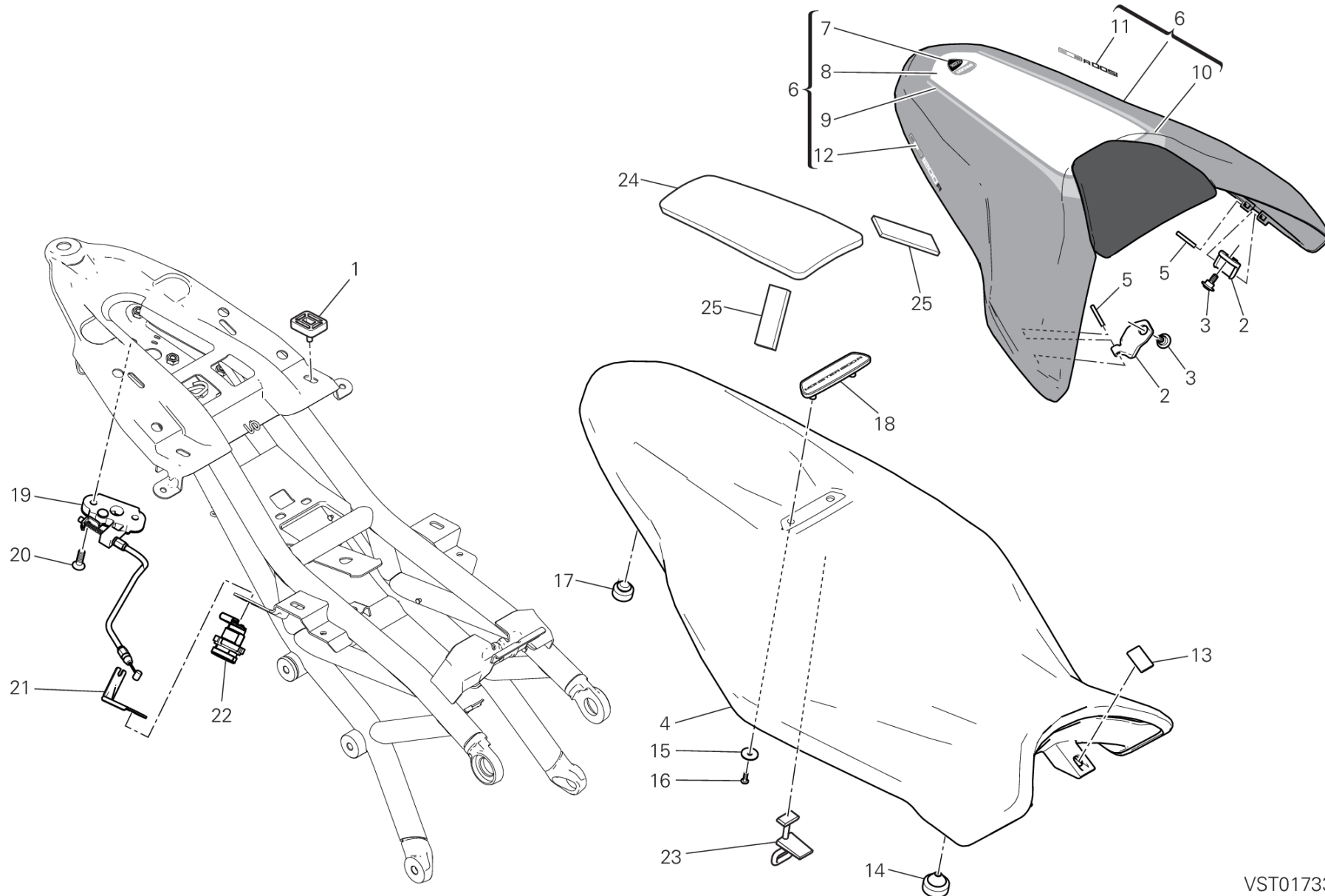
VST01707

DRAWING 032 - FUEL TANK [MOD:M 1200R;XST:JAP]

GROUP FRAME



POS.	CODE	DESCRIPTION	QTY	START DATE	END DATE	VALIDITY	NOTES
1	77156413B	SCREW TCEIF M5X16	4	01/03/2013			
2	86611721C	PAD, FUEL TANK	2	01/03/2013			
3	58612001CP	FUEL TANK, RED	1	20/04/2015			
4	59840183A	KEY WITHOUT TRANSPONDER	1	04/04/2013			
5	70010811A	RUBBER PAD	1	25/06/2013			
6	82610351BA	PLATE	1	22/10/2013			
7	71850163C	SCREW	1	22/02/2017			
8	77244213B	SCREW	6	25/06/2013			
9	16024291A	FLANGE FUEL PUMP	1	25/06/2013			
10	43819621A	EMBLEM DUCATI	2	13/11/2014			
11	43816311AA	LEFT STICKER GRAY	1	22/06/2015			
12	59821061A	LOCKS KIT	1	01/08/2013			
13	77150457E	SCREW M5X25	3	22/10/2013			
14	77150408B	SCREW TCEI M5X14	1	22/10/2013			
15	89520072A	TANK CAP	1	04/04/2013			
16	79111111A	GASKET	1	25/06/2013			
17	81413251A	UNION	2	25/06/2013			
18	76412061A	RUBBER SECTION	1	01/04/2014			
19	69926951A	GASKET KIT	1				
20	55243191A	THERMISTOR	1				
21	59840361A	KEY WITH TRANSPONDER	1	04/04/2013			
22	4601B901B	GUARD CONTROL UNIT	1	16/07/2013			
23	83510162A	KNOB	1				
24	85610421A	WASHER, NYLON 6X12X0.5	1				
25	43816321AA	RIGHT STICKER GRAY	1	22/06/2015			
26	43819991AA	STICKER CENTRE WHITE UPPER	1	29/05/2015			
27	48611101C	DAMPER, SOUND ARRESTER	1	10/11/2015			
28	43217911Z	MARKING PLATE	1	22/02/2017			



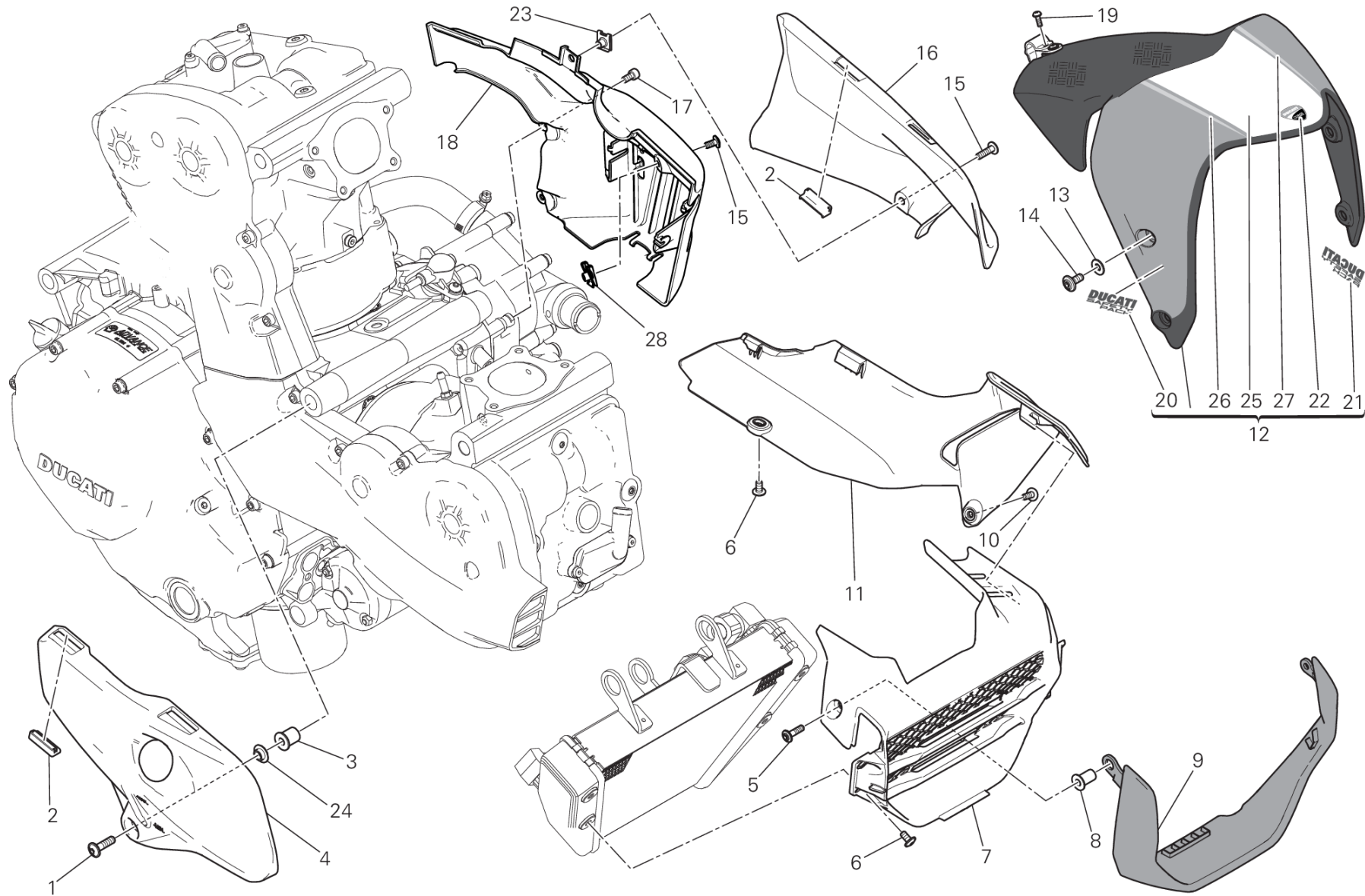
VST01733

DRAWING 033 - SEAT [MOD:M 1200R]

GROUP FRAME



POS.	CODE	DESCRIPTION	QTY	START DATE	END DATE	VALIDITY	NOTES
1	86611701A	RUBBER PAD	4	27/11/2015			
2	8301A292A	BRACKET	2	16/10/2015			
3	77214411AB	SCREW	2	22/02/2017			
4	59512742B	SEAT	1	27/10/2015			
5	86150251A	PIN, SPRING	2	16/10/2015			
6	595P2733AA	COVER SEAT RED	1	19/10/2015			
7	43814531D	STICKER DUCATI CORSE	1	22/06/2015			
8	43816331AA	STICKER CENTRE WHITE UPPER	1	22/06/2015			
9	43816351AA	RIGHT STICKER GRAY	1	22/06/2015			
10	43816341AA	LEFT STICKER GRAY	1	22/06/2015			
11	43513531A	DECAL 1200R L.H. FOR RED	1	22/06/2015			
12	43513541A	DECAL 1200R R.H. FOR RED	1	22/06/2015			
13	86610301A	PAD	2	27/10/2015			
14	86611001B	PAD	2	27/10/2015			
15	85213751AA	WASHER	2	27/10/2015			
16	77440101A	SCREW, TAPPING 3.5X10	2	27/10/2015			
17	86612221A	CUSHION, SEAT	2	27/10/2015			
18	438P9691B	MARKING PLATE	1	27/10/2015			
19	59920101A	LOCK LATCH	1	02/11/2015			
20	77750528B	SCREW TSPEI M6X20	2	02/11/2015			
21	83014401A	BRACKET, SEAT LOCK	1	02/11/2015			
22	59820572A	SEAT LOCK	1	04/04/2013			
23	75910291A	RUBBER BAND	1				
24	86611891A	CUSHION, SEAT UPPER	1	22/02/2017			
25	86612101A	PAD	2	22/02/2017			



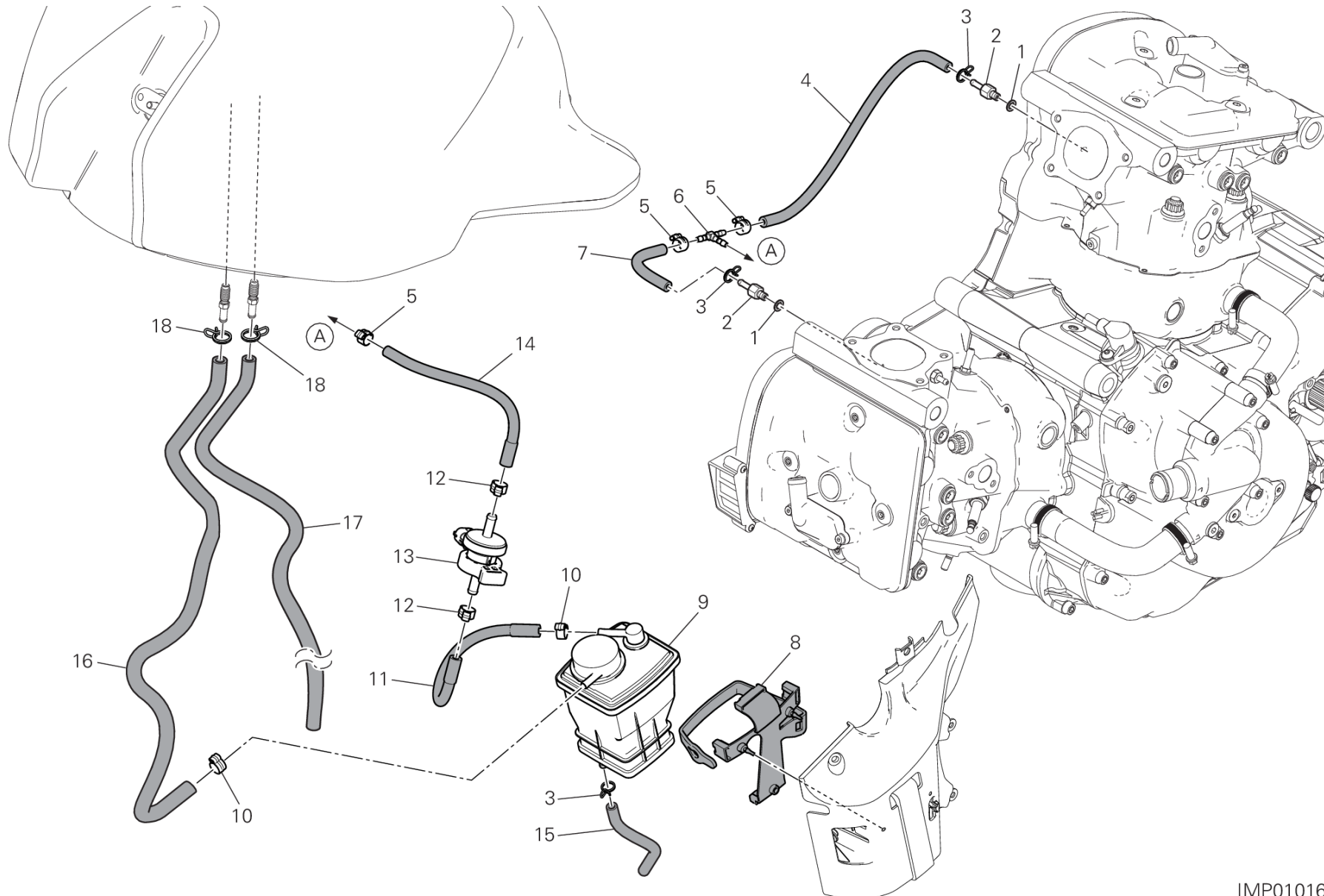
VST01530

DRAWING 034 - HALF FAIRING [MOD:M 1200R]

GROUP FRAME



POS.	CODE	DESCRIPTION	QTY	START DATE	END DATE	VALIDITY	NOTES
1	77240453C	SCREW TBEIF M6X22 10.9	1	22/10/2013			
2	76411881A	RUBBER PAD	4	22/10/2013			
3	85041121A	BUSH	1	22/10/2013			
4	48211861B	RIGHT COVER	1	22/10/2013			
5	77210861B	SCREW TBEI M5X18	2	22/10/2013			
6	77240258C	SCREW	5	22/10/2013			
7	48016061B	RADIATOR PROTECTION	1	22/10/2013			
8	85040821A	THREADED INSERT	2	22/10/2013			
9	48016072AA	RADIATOR PROTECTION RED	1	22/10/2013			
10	77211091A	SCREW TBEI M5X12	1	22/10/2013			
11	48016081B	COVER, LOWER LEFT	1	22/10/2013			
12	564P1353AA	FRONT MUDGUARD ASSEMBLY RED	1	19/10/2015			
13	85610421A	WASHER, NYLON 6X12X0.5	4	22/10/2013			
14	77210893B	SCREW	4	22/10/2013			
15	77240253C	SCREW	2	11/07/2014			
16	48211871A	LEFT COVER UPPER	1	22/10/2013			
17	77150388B	SCREW TCEI M5X10	2	22/10/2013			
18	8291E731B	BRACKET, CANISTER	1	16/10/2015			
19	77440101A	SCREW, TAPPING 3.5X10	1	22/10/2013			
20	43713191A	DECAL "DUCATI SAFETY PACK" RIGHT	1	06/10/2014			
21	43713201A	DECAL "DUCATI SAFETY PACK" LEFT	1	06/10/2014			
22	43814531D	STICKER DUCATI CORSE	1	09/06/2015			
23	85040471A	QUICK FASTENING M5	1	01/10/2013			
24	71614811AA	SPACER	1	22/10/2013			
25	43816361AA	STICKER CENTRE WHITE UPPER	1	09/06/2015			
26	43816371AA	RIGHT STICKER GRAY	1	22/06/2015			
27	43816381AA	LEFT STICKER GRAY	1	22/06/2015			
28	85040551A	QUICK FASTENING	1	16/10/2015			



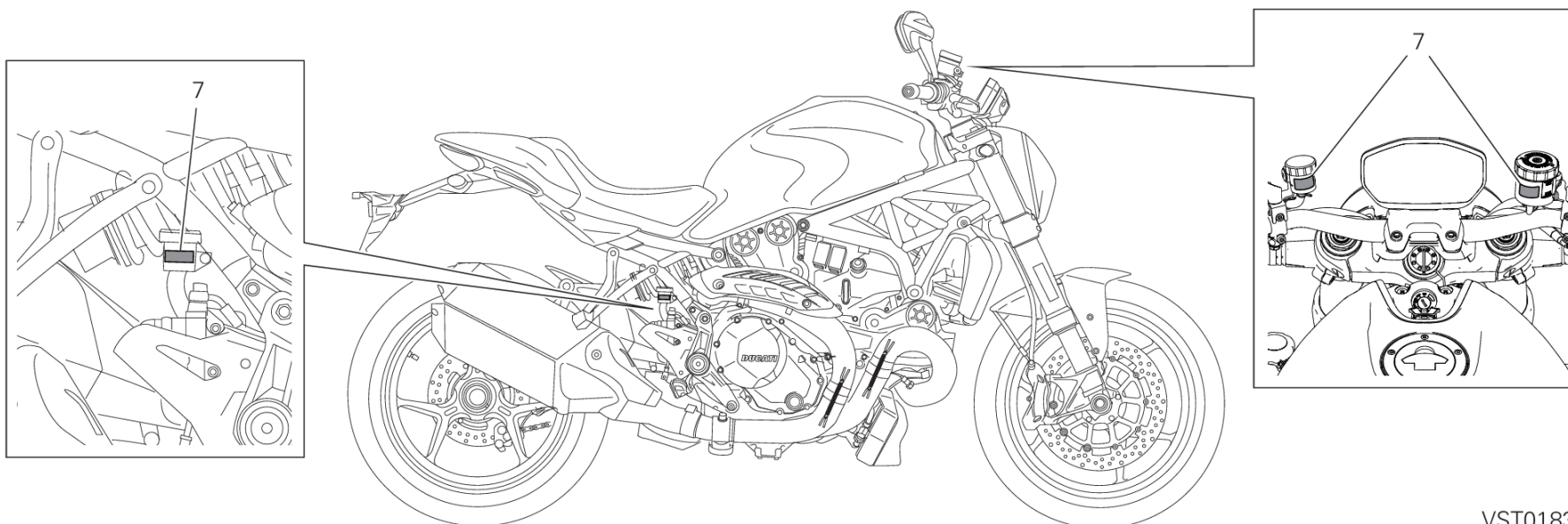
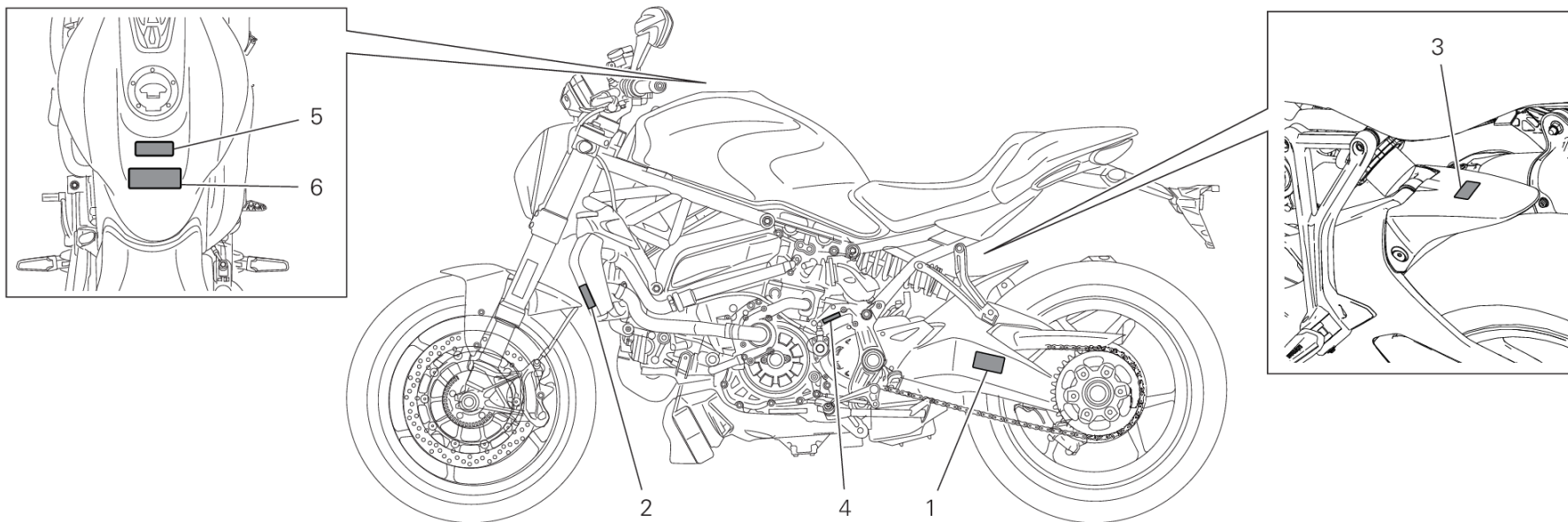
IMP01016

DRAWING 035 - HOT AIR PIPE CANISTER [MOD:M 1200R]

GROUP FRAME



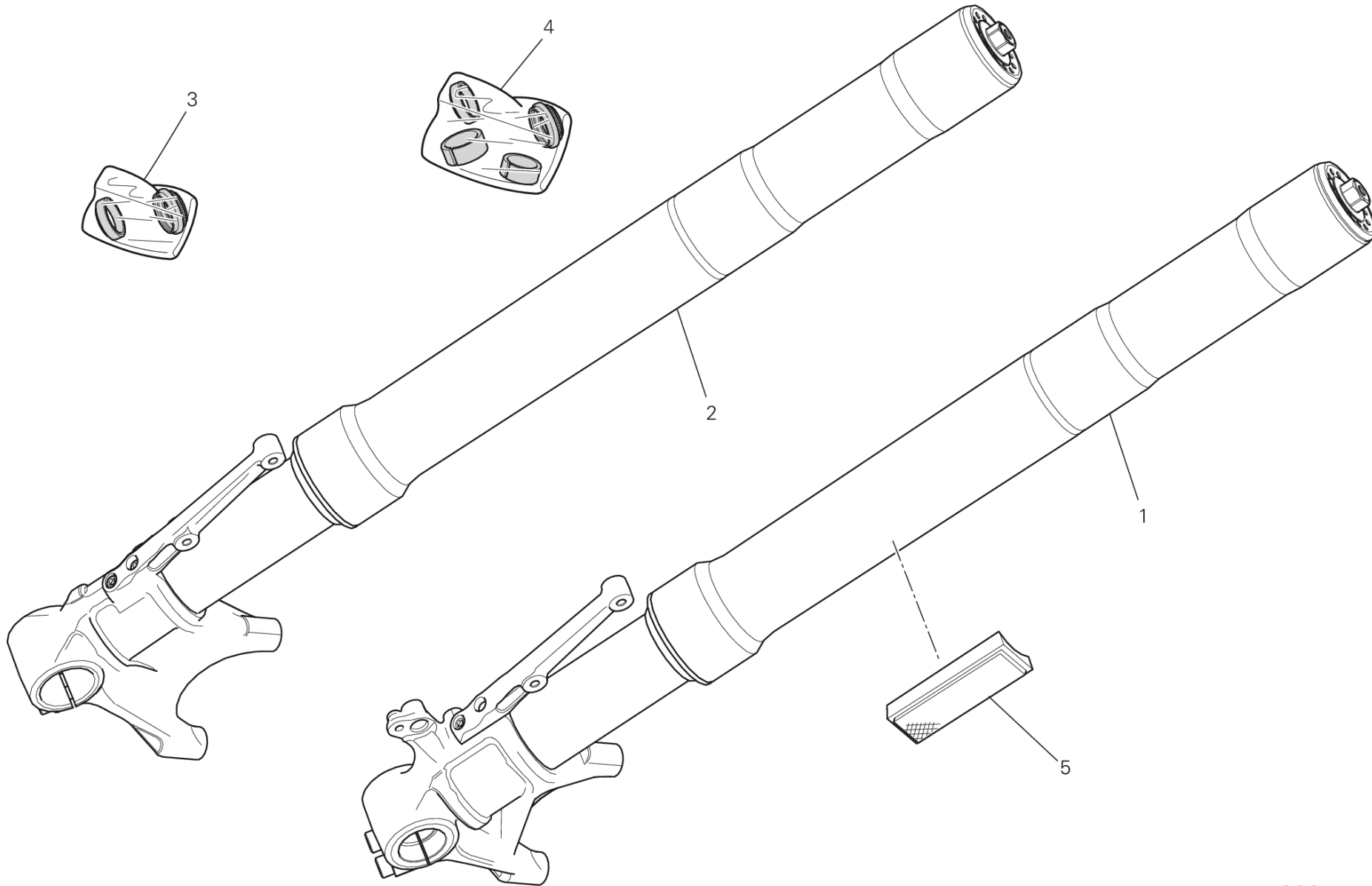
POS.	CODE	DESCRIPTION	QTY	START DATE	END DATE	VALIDITY	NOTES
1	85250231A	GASKET	2	26/02/2013			
2	81411113B	NIPPLE, HOSE	2	26/02/2013			
3	74140431A	CLAMP	3	22/10/2013			
4	93510251B	PIPE	1	24/04/2015			
5	74141001A	CLAMP 8.5/7	3	24/04/2015			
6	81411831A	THREE-WAYS UNION	1	24/12/2009			
7	93510261B	PIPE	1	24/04/2015			
8	70010751A	VIBRATION DAMPER	1	16/10/2015			
9	42640041B	CANISTER FILTER	1	24/04/2015			
10	74141711A	CLAMP 10-7 MM	2	24/04/2015			
11	93510271B	PIPE	1	24/04/2015			
12	74140651A	CLAMP	2	24/04/2015			
13	65540101A	VALVE, BREATHER	1	24/04/2015			
14	93510291B	PIPE	1	24/04/2015			
15	87611181A	BREATHER PIPE	1	24/04/2015			
16	93510281B	PIPE	1	16/10/2015			
17	59017821A	HOSE, DRAIN	1	22/10/2013			
18	74140571A	CLAMP	2	22/10/2013			



VST01838



POS.	CODE	DESCRIPTION	QTY	START DATE	END DATE	VALIDITY	NOTES
1	43314391A	TIRE SIZE AND PRESSURE PLATE	1	22/02/2017			
2	43312531A	WATER RADIATOR PLATE	1	22/02/2017			
3	43312561A	REAR SHOCK ABSORBER PLATE	1	22/02/2017			
4	43312551A	GEAR SEQUENCE PLATE	1	22/02/2017			
5	43310051B	TANK "WARNING" PLATE	1	22/02/2017			
6	43310051C	TARGHETTA IMPORTANTE SERBATOIO	1	22/02/2017			
7	43910071A	CLUTCH-BRAKE MASTER CYLINDER PLATE	3	22/02/2017			



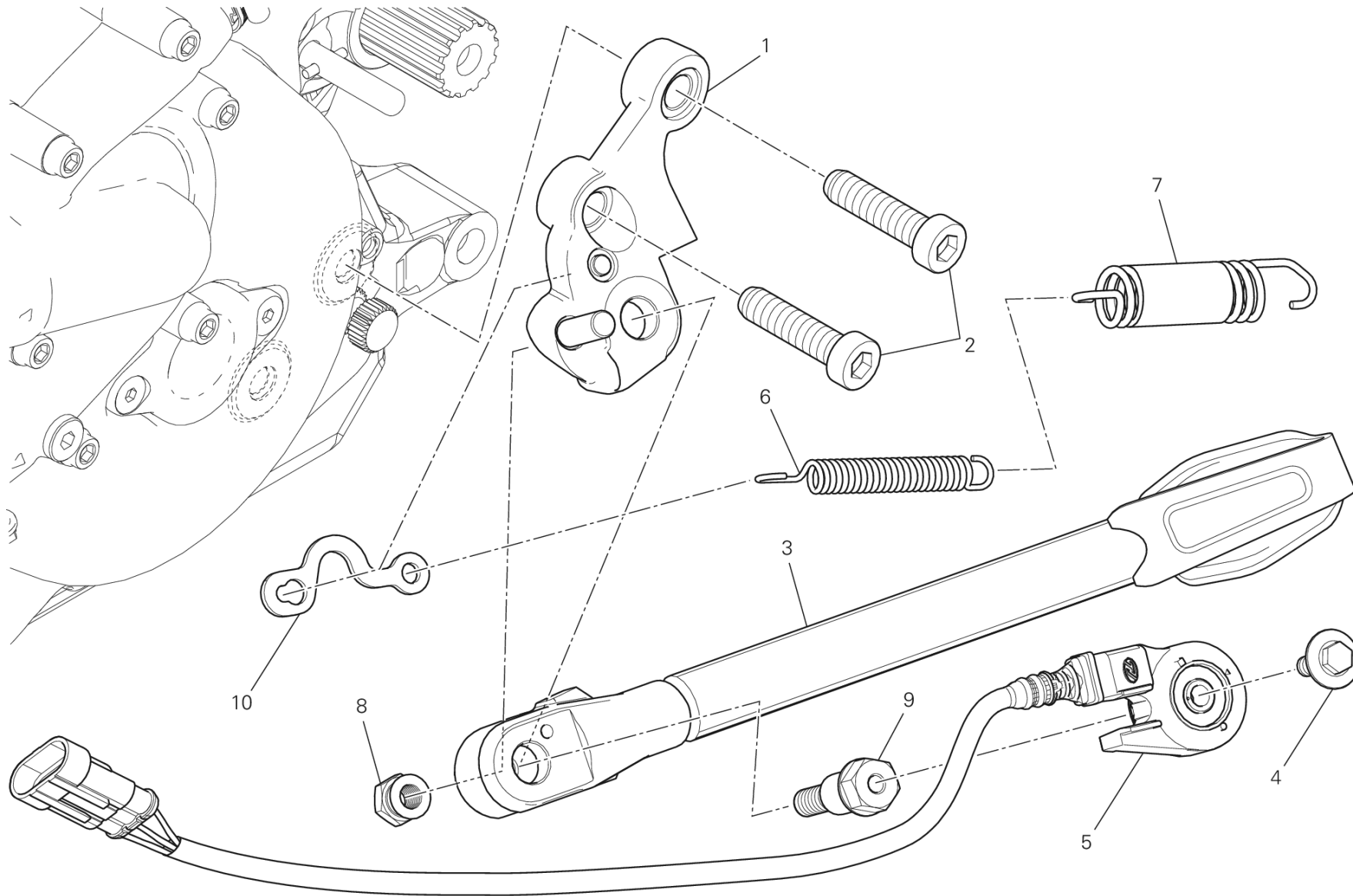
SOS00724

DRAWING 21A - FRONT FORK [MOD:M 1200R]

GROUP FRAME



POS.	CODE	DESCRIPTION	QTY	START DATE	END DATE	VALIDITY	NOTES
1	34520722A	L.H. FORK LEG ASSEMBLY OHLINS	1	13/07/2015			
2	34420722A	R.H. FORK LEG ASSEMBLY OHLINS	1	13/07/2015			
3	34921771A	SEAL KIT	1				
4	34921781A	OVERHAUL KIT	1				
5	52910221A	REFLECTOR, ADHESIVE AMBER	2	21/06/2017			



TEI 00814

DRAWING 22A - SIDE STAND [MOD:M 1200R]

GROUP FRAME



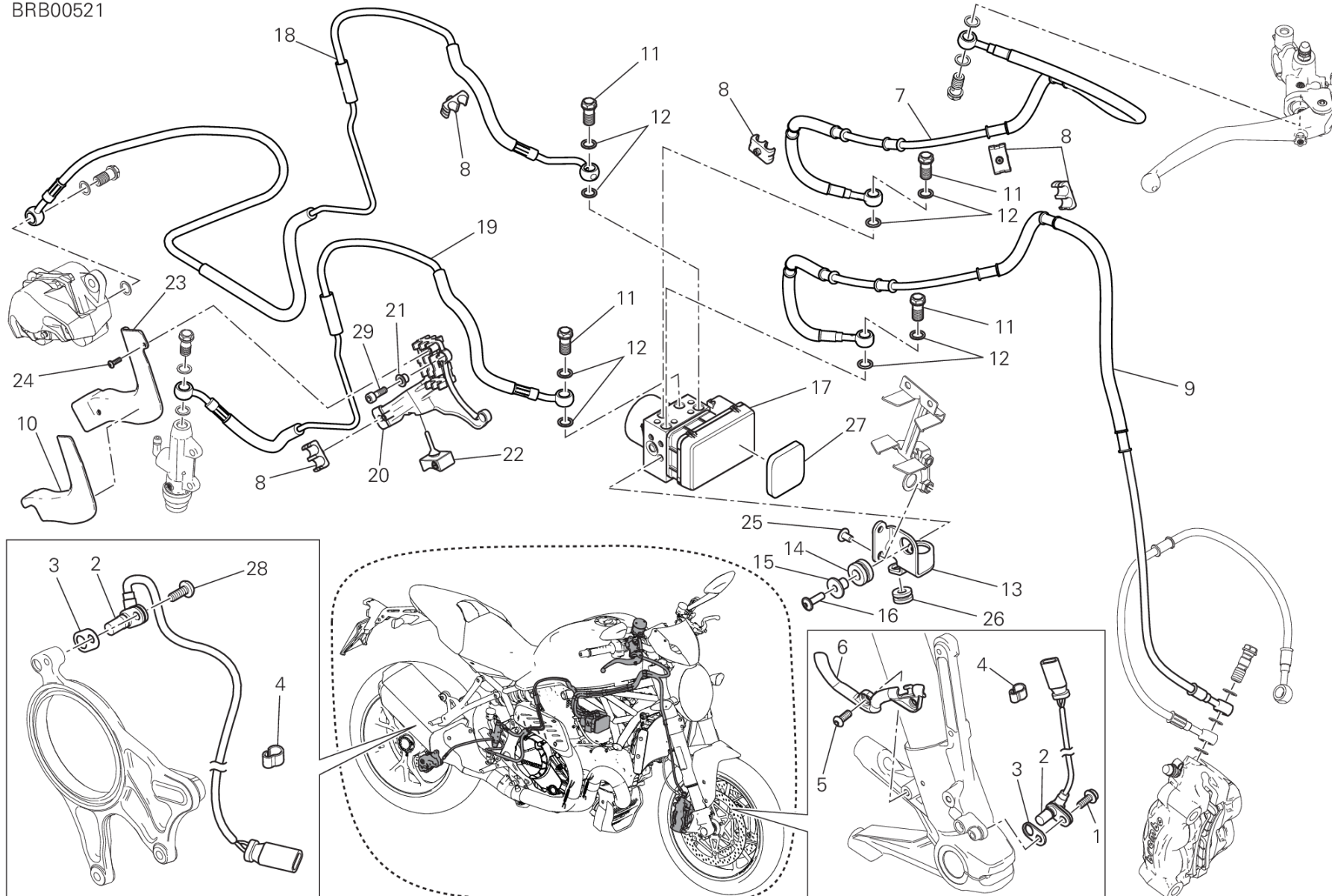
POS.	CODE	DESCRIPTION	QTY	START DATE	END DATE	VALIDITY	NOTES
1	55610791C	BRACKET, SIDE STAND	1	02/10/2013			
2	77355213C	SCREW TCEIR M10X40 DIN6912 10.9	2	22/10/2013			
3	55610913AA	SIDE STAND	1	24/05/2017			
4	77917241AA	SCREW	1	01/09/2014			
5	53910341A	SWITCH ASSY, SIDE STAND	1	10/01/2014			
6	79910891C	INNER SPRING	1	02/10/2013			
7	79920881C	COMPLETE SPRING	1	02/10/2013			
8	75010481A	NUT	1	02/10/2013			
9	82118401AA	AXLE, SIDE STAND	1	24/05/2017			
10	82717631AA	PLATE	1	05/12/2014			



DRAWING 24A - ANTILOCK BRAKING SYSTEM (ABS) [MOD:M 1200R]

GROUP FRAME

BRB00521



DRAWING 24A - ANTILOCK BRAKING SYSTEM (ABS) [MOD:M 1200R]

GROUP FRAME

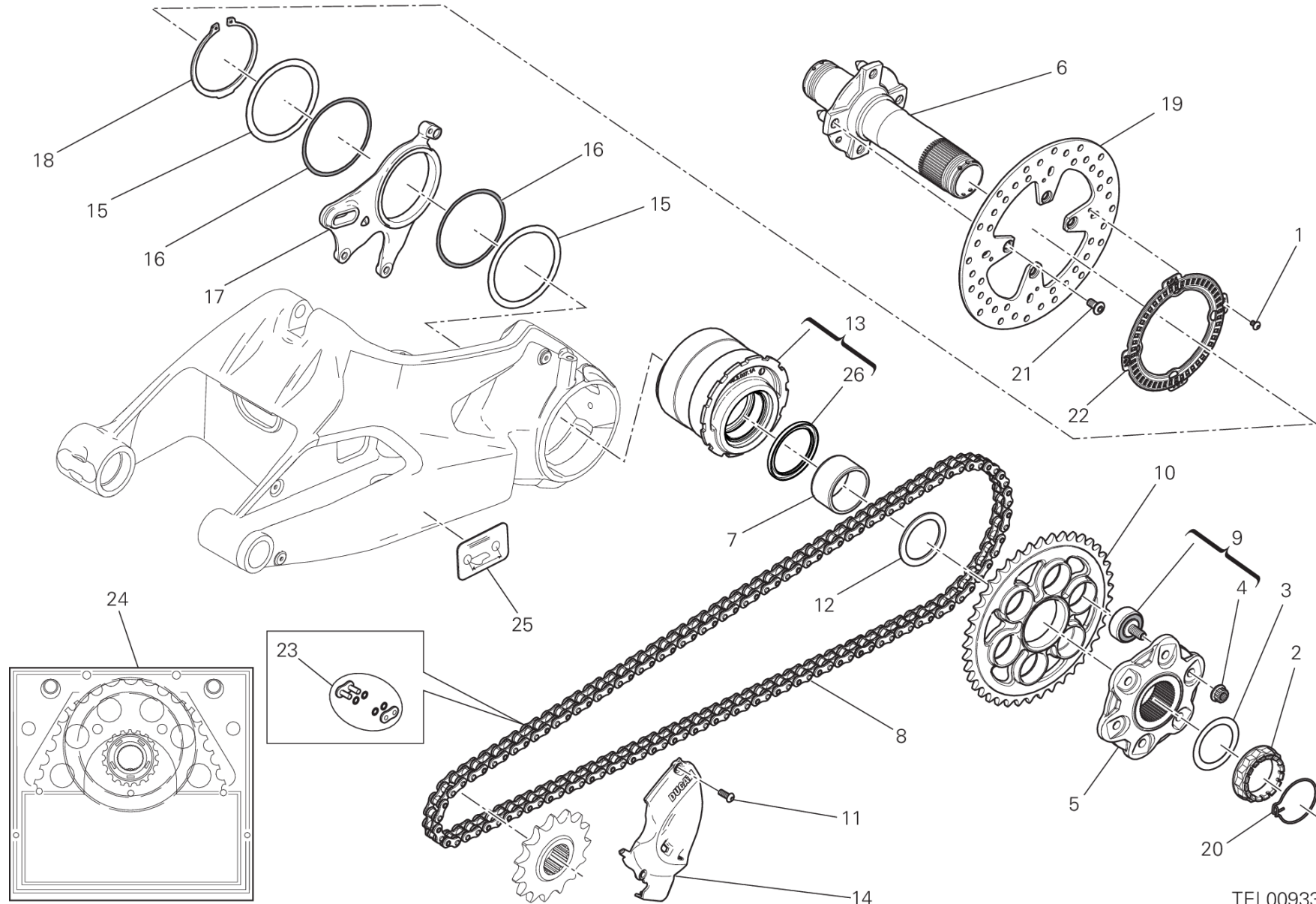


POS.	CODE	DESCRIPTION	QTY	START DATE	END DATE	VALIDITY	NOTES
1	77110401B	SCREW	1	22/10/2013			
2	55212111B	SENSOR, SPEED	2	22/10/2013			
3	71314901A	GASKET TH.02	2	22/10/2013			
	71319201A	GASKET 0.5 MM	6	22/10/2013			
4	75840601A	FAIRLEAD	10	22/10/2013			
5	77550213C	SCREW TBEI M6X16	2	01/08/2013			
6	75810642A	FAIRLEAD	1	01/08/2013			
7	61810771A	FRONT MASTER CYLINDER - CPU LINE	1	09/11/2015			
8	86611121A	RUBBER PAD	5	22/10/2013			
9	61810762A	CPU - FRONT CALIPERS LINE	1	09/11/2015			
10	4601A871A	HEAT GUARD	1	22/10/2013			
11	77913662AB	BOLT, BRAKE HOSE	4	20/09/2013			
12	85250241A	WASHER 10X14X1	8	20/09/2013			
13	83018181AA	BRACKET	1	22/10/2013			
14	76410641A	VIBRATION DAMPER PAD	2	22/10/2013			
15	71610031A	SPACER	2	22/10/2013			
16	77240443C	SCREW	2	22/10/2013			
17	54240451B	CONTROL UNIT ABS	1	20/01/2014			
18	61910491C	CPU - REAR CALIPER LINE	1	09/11/2015			
19	61910481C	REAR MASTER CYLINDER - CPU LINE	1	09/11/2015			
20	83018341B	BRACKET, BRAKE HOSE	1	22/10/2013			
21	71614581AA	SPACER	2	22/10/2013			
22	76411711A	RUBBER PAD	1	22/10/2013			
23	8291C142A	COVER	1	22/10/2013			
24	77440111A	SCREW	2	22/10/2013			
25	77211021A	SCREW TBEIF M6X10	2	22/10/2013			
26	76411141A	VIBRATION DAMPER PAD	1	22/10/2013			
27	86611861A	PAD	1	16/03/2015			
28	77210423C	SCREW TBEIF M6X16	1	16/03/2015			
29	77150693BD	SCREW	2	27/10/2017			



DRAWING 26A - REAR WHEEL SPINDLE [MOD:M 1200R]

GROUP FRAME



TEL00933

DRAWING 26A - REAR WHEEL SPINDLE [MOD:M 1200R]

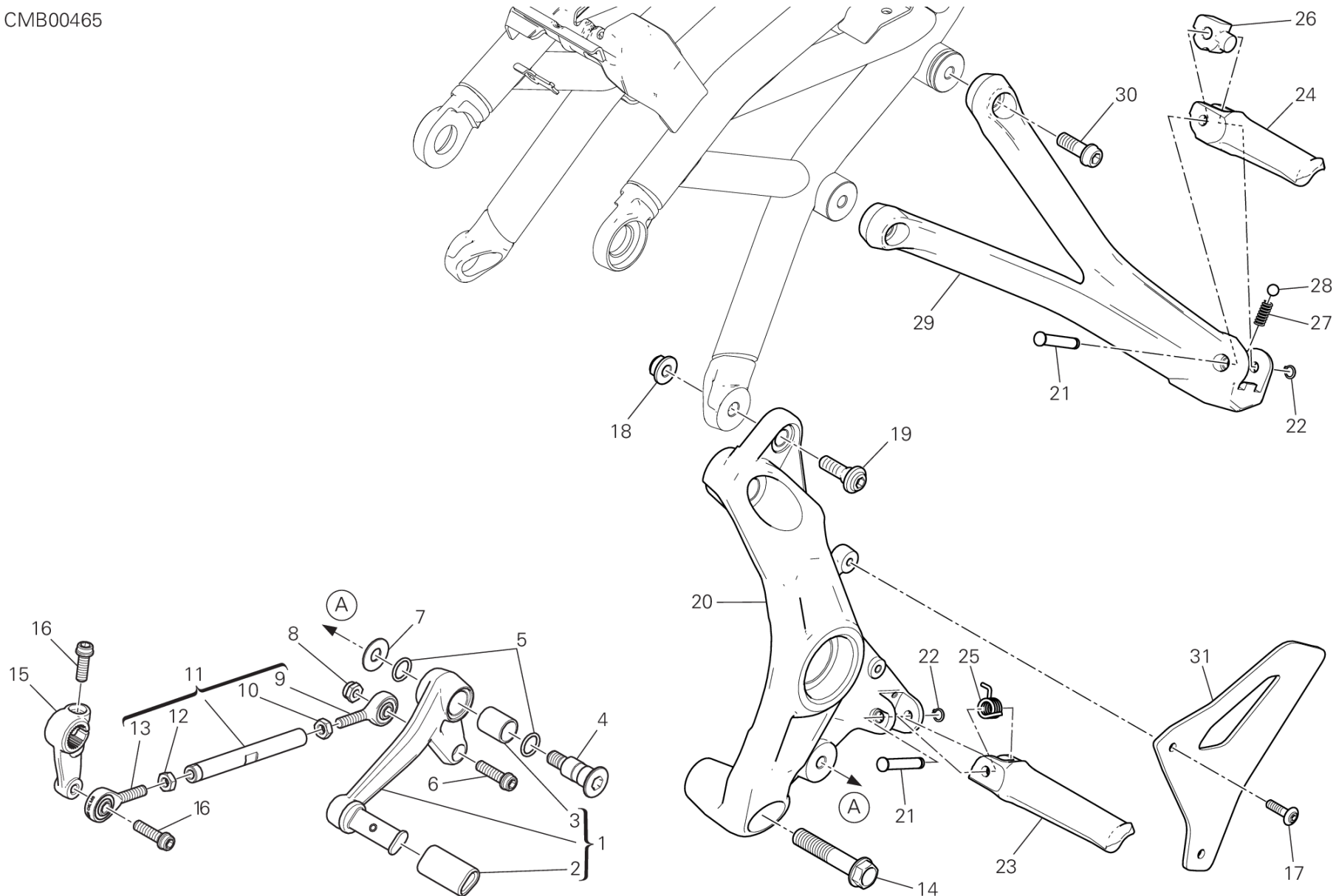
GROUP FRAME



POS.	CODE	DESCRIPTION	QTY	START DATE	END DATE	VALIDITY	NOTES
1	72050159EA	SCREW	4	22/10/2013			
2	75012072AA	NUT	1	18/05/2017			
3	85212211A	WASHER 48.5X65X0.5	1				
4	74810461A	NUT, FLANGE M10X1	6				
5	16014201A	REAR SPROCKET FLANGE	1				
6	81920021A	REAR WHEEL SPINDLE	1				
7	88110541A	INNER SPACER	1				
8	67640902A	CHAIN 107+1	1	22/10/2013			
9	70090563A	ABSORBER, HUB SHOCK	6				
10	49411621AA	REAR SPROCKET T41	1	24/05/2013			
11	77550213C	SCREW TBEI M6X16	2	22/10/2013			
12	71410751A	SPACER	1				
13	75620131A	HUB	1				
14	46016351A	CHAIN PINION COVER	1	22/10/2013			
15	85212171A	WASHER 85.5X101X1	2				
16	88641241A	O-RING 89.5X3	2				
17	82510491AA	BRACKET, REAR CALIPER	1	01/08/2013			
18	88440511A	CIRCLIP 85X3	1				
19	49210061A	REAR BRAKE DISC	1				
20	75910222A	CLIP	1				
21	77918261AA	SCREW	4	22/10/2013			
22	50410071A	REAR PHONIC WHEEL	1	22/10/2013			
23	67740181A	CHAIN LINK	1				
24	67620971A	FINAL DRIVE KIT	1	16/03/2015			
25	43314271A	CHAIN ADJUSTMENT STICKER	1			XST:AUS,EUR,ROK	(EU - USA)
	43314271B	CHAIN ADJUSTMENT STICKER	1			XST:JAP	(JAP)
26	93010102A	DUST COVER	1	24/12/2009			



CMB00465

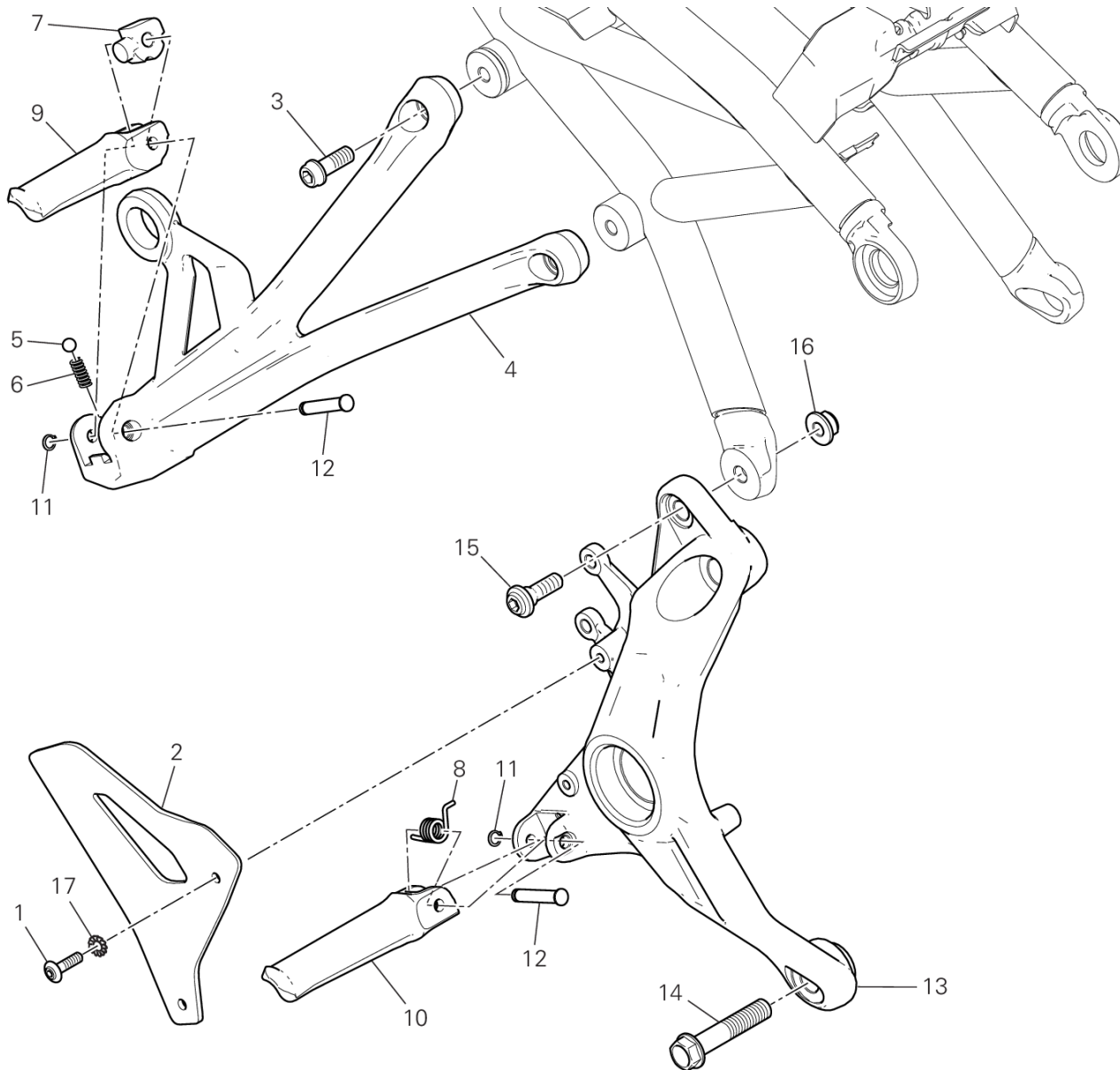


DRAWING 27A - FOOTRESTS, LEFT [MOD:M 1200R]

GROUP FRAME



POS.	CODE	DESCRIPTION	QTY	START DATE	END DATE	VALIDITY	NOTES
1	45622071CA	GEARCHANGE LEVER (Unit)	1	13/01/2014			
2	76410112A	COVER PEDAL	1				
3	71210341A	BUSH	1	01/03/2013			
4	82111701CA	PIN PEDAL	1	14/10/2013			
5	88641161A	O-RING	2	14/10/2013			
6	77156698B	SCREW TCEIF M6X25	1	14/10/2013			
7	85210532A	WASHER 8.2X20X1	1	14/10/2013			
8	74940041A	NUT, SELF-LOCKING M6	1	14/10/2013			
9	84850021A	BALL JOINT, RIGHT	1	14/10/2013			
10	74750031A	NUT 6MM	1	14/10/2013			
11	11721443AA	GEARBOX DRIVING ROD (Unit)	1	06/06/2017			
12	74750231AA	NUT, LEFT THREAD M6	1	14/10/2013			
13	84850011A	BALL JOINT, LEFT	1	14/10/2013			
14	77253988C	SCREW	1	22/10/2013			
15	45612071AA	GEAR CONTROL LEVER GRAY	1	14/10/2013			
16	77110191A	SCREW TCEIF M6X20	2	05/05/2014			
17	77211091A	SCREW TBEI M5X12	2	16/10/2015			
18	74941128B	NUT M8	1				
19	77210871BA	SCREW, SPECIAL	1	16/10/2015			
20	82412751BB	FRONT L.H. PLATE	1	11/03/2015			
21	82115181AA	FOOTREST PIN	2	11/03/2015			
22	88450441A	CIRCLIP	2	18/11/2014			
23	46410992AA	FOOTREST, FRONT LH	1	11/03/2015			
24	46510691AA	REAR LEFT FOOT-REST	1	08/07/2015			
25	79915871AA	SPRING. FOOTREST	1	11/03/2015			
26	69610161A	SPRING RETAINER	1	14/10/2013			
27	79910241B	SPRING	1	14/10/2013			
28	84740021A	BALL	1	14/10/2013			
29	82412772AB	REAR L.H. PLATE	1	08/07/2015			
30	77157248CA	SCREW	2	10/11/2017			
31	4601D121BB	HEEL GUARD FRONT LH	1	16/10/2015			



CMB00466

DRAWING 27B - FOOTRESTS, RIGHT [MOD:M 1200R]

GROUP FRAME

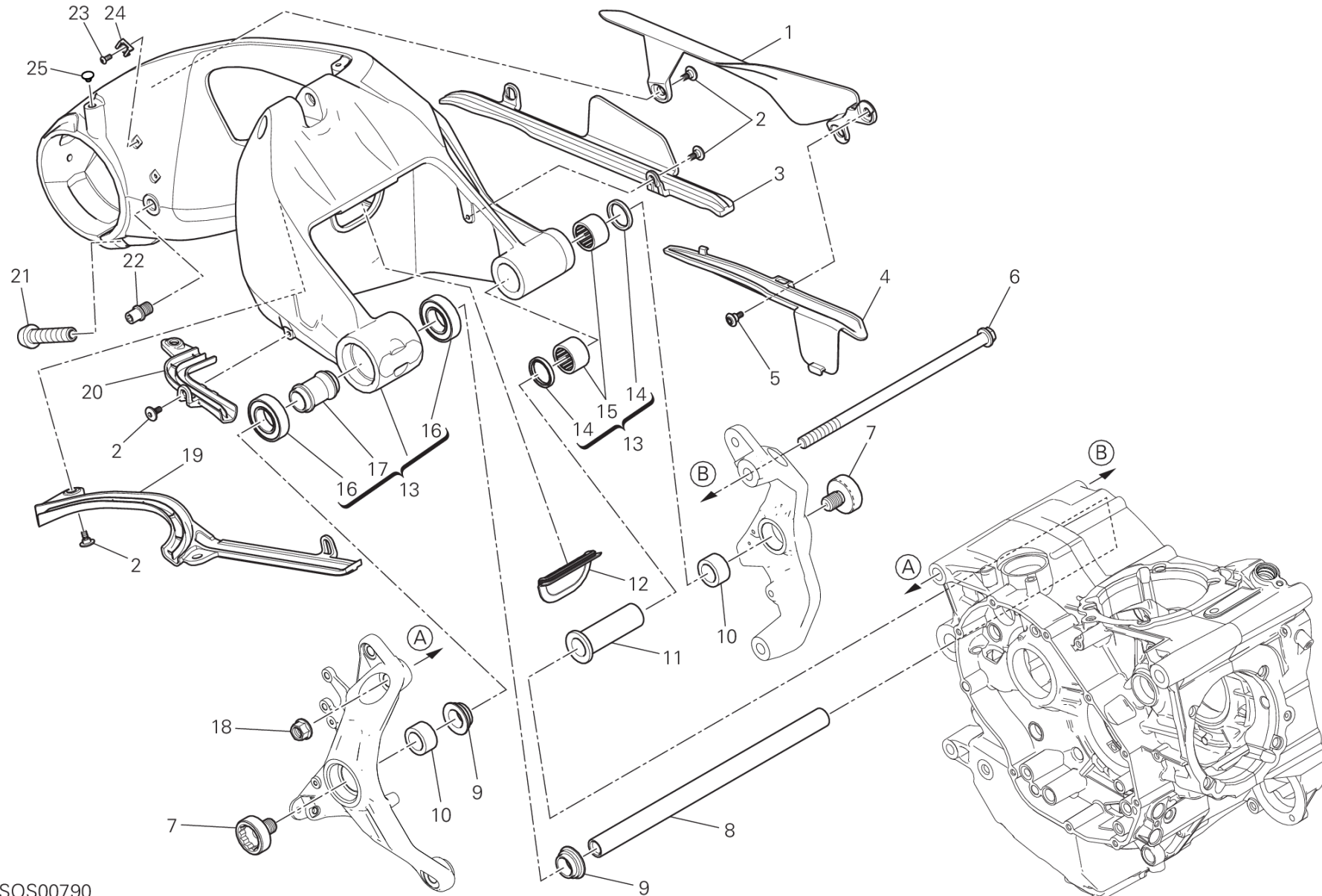


POS.	CODE	DESCRIPTION	QTY	START DATE	END DATE	VALIDITY	NOTES
1	77211091A	SCREW TBEI M5X12	2	16/10/2015			
2	4601D111BB	HEEL GUARD FRONT RH	1	16/10/2015			
3	77157248CA	SCREW	2	10/11/2017			
4	82412762AB	REAR R.H. PLATE	1	08/07/2015			
5	84740021A	BALL	1	14/10/2013			
6	79910241B	SPRING	1	14/10/2013			
7	69610161A	SPRING RETAINER	1	14/10/2013			
8	79915871AA	SPRING. FOOTREST	1	11/03/2015			
9	46510681AA	REAR RIGHT FOOTREST	1	08/07/2015			
10	46410982AA	FOOTREST, FRONT RH	1	11/11/2015			
11	88450441A	CIRCLIP	2	18/11/2014			
12	82115181AA	FOOTREST PIN	2	11/03/2015			
13	82412741CB	FRONT R.H. PLATE	1	11/11/2015			
14	77253988C	SCREW	1	22/10/2013			
15	77210871BA	SCREW, SPECIAL	1	16/10/2015			
16	74941128B	NUT M8	1				
17	46240461A	WASHER, SPRING	2	16/03/2015			



DRAWING 28A - REAR SWINGING ARM [MOD:M 1200R;XST:BLG,EUR,JAP,ROK]

GROUP FRAME



SOS00790

DRAWING 28A - REAR SWINGING ARM [MOD:M 1200R;XST:BLG,EUR,JAP,ROK]

GROUP FRAME

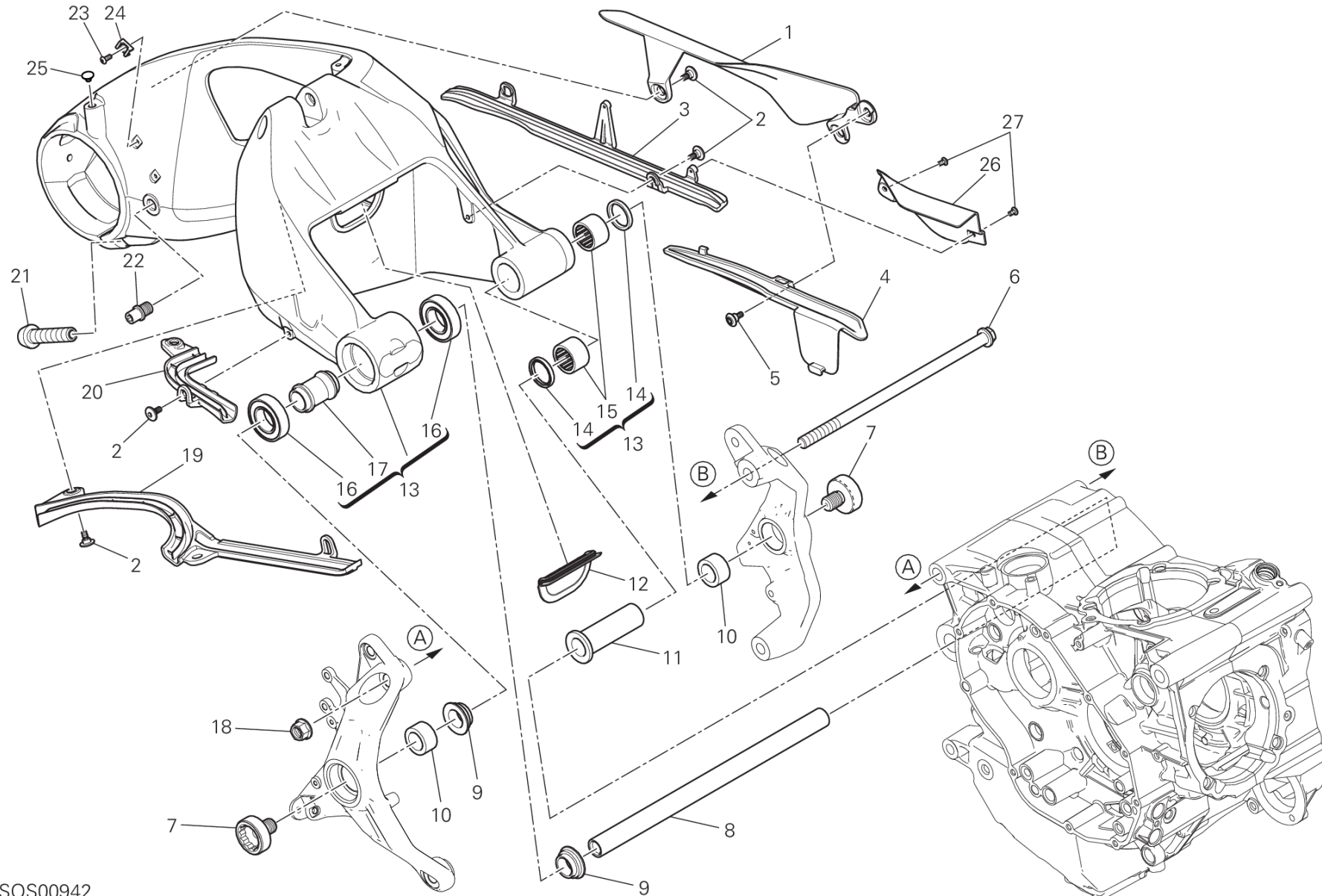


POS.	CODE	DESCRIPTION	QTY	START DATE	END DATE	VALIDITY	NOTES
1	44610251A	CHAIN GUARD	1	01/08/2013			
2	77914871C	SCREW	7	01/08/2013			
3	44711101A	LOWER CHAIN SLIDING SHOE	1	01/08/2013			
4	44711091A	UPPER CHAIN SLIDING SHOE	1	01/08/2013			
5	77210842A	SCREW TCEI M5X8.5	2	01/08/2013			
6	77918431AA	SCREW, SPECIAL	1	16/03/2015			
7	77918421AB	SCREW, SPECIAL	2	22/10/2013			
8	36911341AA	AXLE, REAR SWING ARM	1	22/10/2013			
9	71210301A	RIGHT SPACER	2	22/10/2013			
10	71210491AA	SPACER	2	22/10/2013			
11	71011891A	BUSHING	1	01/08/2013			
12	87210751A	CAP, SWINGARM COVER	1	01/08/2013			
13	37021381CB	COMPLETE SWINGARM	1	07/05/2015			
14	93050121A	SEAL RING	2	01/08/2013			
15	70140171A	BEARING, NEEDLE	2	01/08/2013			
16	70250451A	BEARING	2	01/08/2013			
17	7131A211AA	INNER SPACER	1	01/08/2013			
18	74841011AA	NUT, FLANGE	1	05/05/2014			
19	44711111B	CHAIN SLIDER	1	23/10/2013			
20	83018271A	GUIDE, HOSE	1	22/10/2013			
21	77918251AA	SCREW, SPECIAL	1	01/08/2013			
22	83210031E	PIN	1	01/08/2013			
23	77550221A	SCREW TBEI M4X10	2	22/10/2013			
24	85041711A	HOSE GUIDE	2	23/10/2013			
25	87240821A	PLUG	3	10/03/2016			



DRAWING 28A - REAR SWINGING ARM [MOD:M 1200R;XST:AUS]

GROUP FRAME



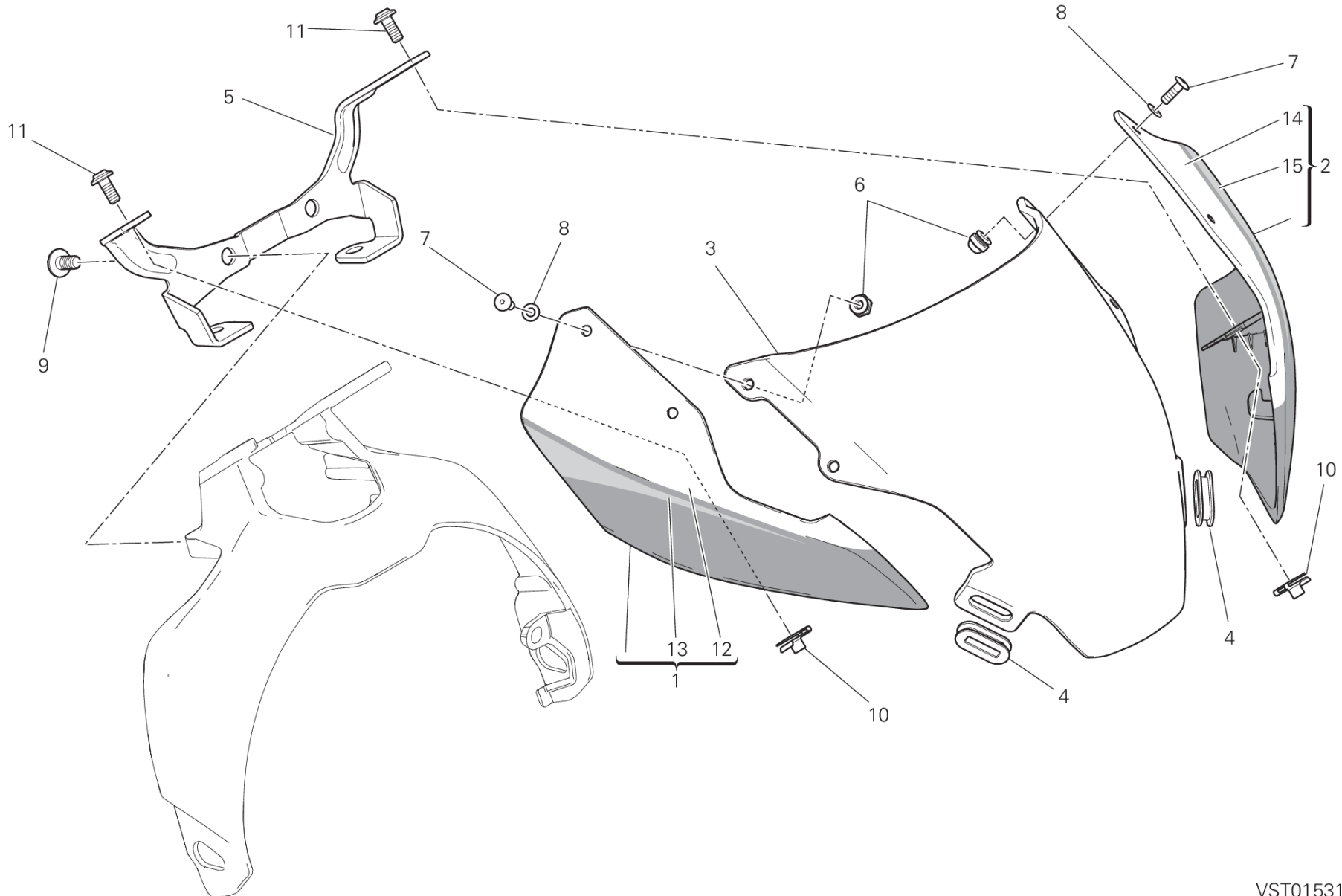
SOS00942

DRAWING 28A - REAR SWINGING ARM [MOD:M 1200R;XST:AUS]

GROUP FRAME



POS.	CODE	DESCRIPTION	QTY	START DATE	END DATE	VALIDITY	NOTES
1	44610251A	CHAIN GUARD	1	01/08/2013			
2	77914871C	SCREW	7	01/08/2013			
3	44711331A	LOWER CHAIN SLIDING SHOE	1	01/08/2013			
4	44711091A	UPPER CHAIN SLIDING SHOE	1	01/08/2013			
5	77210842A	SCREW TCEI M5X8.5	2	01/08/2013			
6	77918431AA	SCREW, SPECIAL	1	16/03/2015			
7	77918421AB	SCREW, SPECIAL	2	22/10/2013			
8	36911341AA	AXLE, REAR SWING ARM	1	22/10/2013			
9	71210301A	RIGHT SPACER	2	22/10/2013			
10	71210491AA	SPACER	2	22/10/2013			
11	71011891A	BUSHING	1	01/08/2013			
12	87210751A	CAP, SWINGARM COVER	1	01/08/2013			
13	37021381CB	COMPLETE SWINGARM	1	07/05/2015			
14	93050121A	SEAL RING	2	01/08/2013			
15	70140171A	BEARING, NEEDLE	2	01/08/2013			
16	70250451A	BEARING	2	01/08/2013			
17	7131A211AA	INNER SPACER	1	01/08/2013			
18	74841011AA	NUT, FLANGE	1	05/05/2014			
19	44711111B	CHAIN SLIDER	1	23/10/2013			
20	83018271A	GUIDE, HOSE	1	22/10/2013			
21	77918251AA	SCREW, SPECIAL	1	01/08/2013			
22	83210031E	PIN	1	01/08/2013			
23	77550221A	SCREW TBEI M4X10	2	22/10/2013			
24	85041711A	HOSE GUIDE	2	23/10/2013			
25	87240821A	PLUG	3	10/03/2016			
26	44711321A	GUARD	1				
27	77440391A	SCREW	2				



VST01531

DRAWING 34A - COWLING [MOD:M 1200R]

GROUP FRAME



POS.	CODE	DESCRIPTION	QTY	START DATE	END DATE	VALIDITY	NOTES
1	481P3822AA	COWLING RED RIGHT	1	16/10/2015			
2	481P3832AA	COWLING RED LEFT	1	16/10/2015			
3	48710871A	WINDSHIELD	1	06/10/2014			
4	76412221A	RUBBER PAD	2	06/10/2014			
5	8291E581BA	HEALDIGHT FAIRING SUPPORT	1	16/10/2015			
6	75010281A	NUT, SPRING	4	06/10/2014			
7	77510071AB	SCREW, SPECIAL	4	06/10/2014			
8	85210241A	WASHER, NYLON 4X8X0.5	4	06/10/2014			
9	77240403C	SCREW	2	29/01/2015			
10	85040471A	QUICK FASTENING M5	4	06/10/2014			
11	77244173B	SCREW	4	06/10/2014			
12	43817141AA	STICKER UPPER RED/WHITE L.H. RIGHT	1	17/09/2015			
13	43819932AA	RIGHT STICKER FOR RED	1	17/09/2015			
14	43817151AA	STICKER UPPER RED/WHITE L.H. LEFT	1	17/09/2015			
15	43819942AA	LEFT STICKER FOR RED	1	17/09/2015			



CODE	NO. TABLE	POS.	CODE	NO. TABLE	POS.	CODE	NO. TABLE	POS.	CODE	NO. TABLE	POS.
027291090	002	8	17213291C	003	5	24714171A	013	24	36140161A	021	36
037072020	024	21	17213301C	003	9	24714651A	018	41	36420151A	021	47
040009050	002	21	17213311A	003	18	24714891A	013	25	36521411A	028	4
040029126	002	17	17213321A	003	24	24715281A	018	11	36911341AA	28A	8
066013143	002	9	17213331B	003	22	24724481AF	011	31	36911341AA	28A	8
066549680	005	8	17213341B	003	21	25120131A	011	29	37021381CB	28A	13
067016155	003	19	17213351B	003	20	25440013A	005	4	37021381CB	28A	13
067049310	010	2	17213361B	003	23	25510104B	008	18	38040101C	022	15
069191030	18B	12	17310351A	012	14	25510193A	013	7	38510521B	027	11
075949280	009	3	17420382D	009	1	26420501A	011	1	38940191A	18B	5
11210121AB	006	8	176Z0021A	012	10	27040106A	012	1	38940201A	18B	5
11210121AC	006	8	18020391A	002	23	27611161A	012	16	38940211A	18B	5
11721082A	004	16	180Z0031A	002	11	28040401B	017	24	38940221A	18B	5
11721443AA	27A	11	180Z0041A	002	12	28240991A	017	26	38940231A	018	40
11723531AA	025	15	18220521A	002	18	28620441B	01C	6	38940241A	18B	5
120Z0131CC	007	5	18410051A	025	14	28642711A	18A	14	38940251A	18B	5
120Z0141CC	007	10	18710021A	023	3	28642711E	18A	14	38940261A	18B	5
12110781B	007	3	19020232A	004	9	28642711F	18A	14	38940301A	18B	5
12112481A	007	2	19410511A	004	4	28642711J	18A	14	39040291A	020	22
12120521A	007	4	19540033B	004	19	30124114AC	015	22	39040311A	020	21
12221952A	007	1	19610532C	004	12	30124124AC	014	22	39740081B	018	39
13510451A	017	20	19610542C	004	11	30310631BB	014	7	40611202B	20A	1
14010822B	017	1	19820441A	004	14	30310631BB	015	7	42020008A	025	27
14622271DR	006	1	20810321A	014	3	30310631BC	014	7	42610191A	029	17
14710811A	008	3	20810321A	015	3	30310631BC	015	7	42640041B	035	9
14823421B	013	15	20910491A	014	16	30310631BD	014	7	43217911Z	032	28
14823431B	013	11	20910491A	015	16	30310631BD	015	7	43310051B	036	5
14823441B	013	14	20910501A	014	4	30410881AB	014	13	43310051C	036	6
14823451B	013	18	20910501A	015	4	30410881AB	015	13	43312531A	036	2
14910831D	003	2	21010841C	014	14	30410881AC	014	13	43312551A	036	4
14910891C	003	25	21010841C	015	14	30410881AC	015	13	43312561A	036	3
15021431E	003	26	21110831B	014	5	30410891AB	014	10	43313911A	005	21
15021941B	003	3	21110831B	015	5	30410891AB	015	10	43314271A	26A	25
15310131A	021	39	22523402A	010	1	30410891AC	014	10	43314271B	26A	25
15820234A	006	5	24221311A	011	13	30410891AC	015	10	43314391A	036	1
16010941A	013	10	24321042AC	005	1	34111001AC	021	25	43513531A	033	11
16012121B	012	13	24511421B	008	1	342P0791AC	021	35	43513541A	033	12
16014201A	26A	5	24511431A	008	2	34420722A	21A	2	43713191A	034	20
16024291A	032	9	24521071A	008	21	34520722A	21A	1	43713201A	034	21
16024291A	032	9	24612162A	029	16	34921771A	21A	3	43814531D	033	7
17021351A	006	6	24713511C	010	3	34921781A	21A	4	43814531D	034	22
17122371A	008	13	24713571AE	011	23	36011831AB	021	20	43816311AA	032	11
17213271A	003	10	24714141AC	013	5	36015342AB	021	22	43816311AA	032	11
17213281C	003	8	24714151AC	013	6	36015391BA	021	19	43816321AA	032	25



CODE	NO. TABLE	POS.	CODE	NO. TABLE	POS.	CODE	NO. TABLE	POS.	CODE	NO. TABLE	POS.
43816321AA	032	25	4601B881A	019	37	48710871A	34A	3	52910231A	28B	22
43816331AA	033	8	4601B901B	032	22	49040692A	A	3	52940051A	28B	29
43816341AA	033	10	4601B901B	032	22	49040692A	C2	1	53010321A	020	14
43816351AA	033	9	4601B921A	019	24	49040711A	A	1	53010321A	28B	14
43816361AA	034	25	4601D111BB	27B	2	49040711A	B2	1	53010321A	28B	14
43816371AA	034	26	4601D121BB	27A	31	49041081A	A	7	53010321A	28B	14
43816381AA	034	27	4601D231A	018	3	49041081A	G	1	53010331A	020	18
43817141AA	34A	12	4601D311CA	019	17	490P0272A	A	5	53010331A	28B	7
43817151AA	34A	14	4601D321B	027	29	490P0272A	D3	1	53010331A	28B	7
43819621A	032	10	4601D331A	027	30	49140911A	A	2	53010331A	28B	7
43819621A	032	10	4601D341A	027	32	49140911A	B2	2	53910341A	22A	5
43819932AA	34A	13	4601D781B	28B	28	49141441A	A	4	53940031C	025	26
43819942AA	34A	15	4601D913A	027	21	49141441A	C2	2	53940302A	016	12
43819991AA	032	26	4602B332A	019	38	49141641A	A	8	53940491A	024	26
43819991AA	032	26	46210021A	021	2	49141641A	G	2	53940501A	023	22
438P9691B	033	18	46240461A	18A	23	491P0073A	A	6	54040321A	018	5
43910071A	036	7	46240461A	27B	17	491P0073A	D3	2	54140101A	18B	7
44212781B	029	11	46320222A	010	6	49210061A	26A	19	54240451B	24A	17
44212792D	029	13	46320537A	003	14	49241341A	026	5	54810461B	016	1
44213111A	029	11	46410982AA	27B	10	49241351A	026	3	54841025A	030	19
44440038A	009	2	46410992AA	27A	23	49411621AA	26A	10	54911071A	016	7
44610251A	28A	1	46510681AA	27B	9	49720031A	026	16	55040271A	030	21
44610251A	28A	1	46510691AA	27A	24	50121881AB	026	10	55040281A	030	24
44711091A	28A	4	47012951AA	022	2	50221861AA	026	7	55212111B	24A	2
44711091A	28A	4	47017902BA	027	7	50410051A	026	12	55214011A	019	27
44711101A	28A	3	47017922AA	022	2	50410071A	26A	22	55240121A	020	4
44711111B	28A	19	48016061B	034	7	51019721A	18B	4	55240121A	18A	8
44711111B	28A	19	48016072AA	034	9	5101A701B	18B	1	55241321C	10A	14
44711321A	28A	26	48016081B	034	11	5101A841A	017	25	55241441A	017	18
44711331A	28A	3	48016171B	030	20	5101A851B	18B	2	55241612C	10A	1
44910531A	003	12	48016181A	030	12	51310281B	018	43	55243191A	032	20
45110462A	013	26	48016191B	030	4	51410711A	018	44	55243191A	032	20
45120272A	008	9	48016201C	030	13	51410721B	018	36	55243442A	031	6
45120291A	008	10	48016211C	030	1	51640013AB	016	16	55340041A	031	13
45520181A	010	4	48016242B	030	17	52010271C	020	23	55610791C	22A	1
45612071AA	27A	15	481P3822AA	34A	1	52340242AC	021	3	55610913AA	22A	3
45622071CA	27A	1	481P3832AA	34A	2	52340252AC	021	7	56113301B	28B	18
45720571AA	025	20	48211861B	034	4	52510433B	28B	20	56113301B	28B	18
46016351A	26A	14	48211871A	034	16	52510433B	28B	20	56113301B	28B	18
4601A611B	018	23	48211951A	022	17	52510433B	28B	20	56113311BA	28B	3
4601A871A	24A	10	48610951A	005	16	52510483B	027	1	56113311BA	28B	3
4601A883A	021	9	48611091A	005	19	52910221A	21A	5	56113311BA	28B	3
4601B275A	019	36	48611101C	032	27	52910231A	28B	22	56113381AA	28B	29
4601B284A	019	4	48611101C	032	27	52910231A	28B	22	56113391A	28B	27



CODE	NO. TABLE	POS.	CODE	NO. TABLE	POS.	CODE	NO. TABLE	POS.	CODE	NO. TABLE	POS.
56113392A	28B	27	61240391A	023	10	68050101A	010	13	71020041A	010	23
56113392A	28B	27	61240391A	024	28	69610161A	27A	26	71110922A	011	33
564P1353AA	034	12	61340951A	025	28	69610161A	27B	7	71110951A	010	65
56510681A	028	1	61341101A	024	13	69720292B	027	8	71111301A	021	37
57014272A	019	29	61810762A	24A	9	69926751A	018	14	71111601A	005	13
57113952A	019	21	61810771A	24A	7	69926951A	032	19	71111601A	011	14
57113961A	019	2	61810901A	024	7	69926951A	032	19	71112191A	007	12
57211711A	019	32	61910481C	24A	19	70010362A	010	14	71113741A	013	19
57322243BA	019	12	61910491C	24A	18	70010431A	18A	24	71210301A	28A	9
57610892BA	019	10	62440943A	024	11	70010481B	020	13	71210301A	28A	9
58510822B	031	22	62540201A	025	10	70010541A	021	24	71210341A	025	21
58540311A	025	6	62640561A	023	20	70010751A	035	8	71210341A	27A	3
58540341A	024	15	62640561A	024	29	70010811A	032	5	71210491AA	28A	10
58540351A	023	12	62640881A	024	12	70010811A	032	5	71210491AA	28A	10
58612001CP	032	3	62640891A	023	18	70010901A	017	31	71310141E	003	11
58612001CP	032	3	63040663A	023	1	70090563A	26A	9	71311281B	011	27
59014101A	017	9	63140081A	023	21	70140051A	003	4	71311961A	026	17
59014111A	017	17	63140081A	024	19	70140171A	28A	15	71311973A	026	2
59014471A	029	20	63140161A	025	30	70140171A	28A	15	71312661A	003	15
59017821A	035	17	63140281A	023	19	70140541A	012	11	71312921A	014	9
59024051A	017	22	63140281A	024	30	70240091A	011	11	71312921A	015	9
59310601B	010	7	63140601A	024	27	70240102A	011	9	71312921B	014	25
59320581B	010	5	63140631A	023	2	70240131A	010	16	71312921B	015	26
59340301C	019	20	63210741B	023	6	70240331A	010	17	71313091A	004	13
59512742B	033	4	65010122E	021	5	70241151A	010	18	71313641A	024	10
595P2733AA	033	6	65110142A	021	16	70241161A	010	19	71314361AB	019	8
59820572A	033	22	65240231A	021	14	70241231A	021	31	71314831A	004	15
59821061A	032	12	65540091A	029	8	70241461A	012	15	71314901A	24A	3
59821061A	032	12	65540101A	035	13	70250081A	010	20	71319151A	002	2
59840183A	032	4	66020093B	021	4	70250081A	011	4	71319191A	012	8
59840183A	032	4	66810482A	007	14	70250193A	010	21	71319201A	24A	3
59840361A	032	21	66910011E	014	6	70250451A	026	8	71319951A	003	13
59840361A	032	21	66910011E	015	6	70250451A	28A	16	71319961CA	021	44
59920101A	033	19	67040451A	022	6	70250451A	28A	16	7131A211AA	28A	17
61041512A	024	5	67110581A	022	8	70250601A	004	10	7131A211AA	28A	17
61041522A	024	8	67110591B	022	9	70310481A	029	15	7131A481A	020	12
61041991A	023	23	67110601D	022	5	70310761AA	021	29	7131B611B	28B	13
61140421A	025	1	67110611A	022	7	70350022A	013	2	7131B611B	28B	13
61240052A	023	4	67620971A	26A	24	70350062A	008	12	7131B611B	28B	13
61240052A	024	1	67640902A	26A	8	71011071A	021	38	7131B621B	28B	8
61240081A	025	12	67740181A	26A	23	71011691A	006	7	7131B621B	28B	8
61240161A	025	29	68010131A	006	10	71011891A	28A	11	7131B621B	28B	8
61240201A	024	2	68010131A	008	16	71011891A	28A	11	7131B641AA	021	46
61240371A	024	14	68050061A	013	12	71011991B	010	22	7131B921AA	027	25



CODE	NO. TABLE	POS.	CODE	NO. TABLE	POS.	CODE	NO. TABLE	POS.	CODE	NO. TABLE	POS.
71320043A	004	18	74110401A	027	2	74841011AA	28A	18	75840861A	018	47
71410471A	026	9	74110551A	18B	15	74841091AA	017	12	75910222A	026	19
71410751A	26A	12	74140381A	18B	13	74841101AA	020	1	75910222A	26A	20
71411352AA	026	15	74140431A	017	11	74850061A	18A	15	75910251A	019	19
71610031A	016	3	74140431A	023	14	74850061B	28B	17	75910291A	033	23
71610031A	24A	15	74140431A	024	16	74850061B	28B	17	75910301B	021	12
71610061A	18A	2	74140431A	025	9	74850061B	28B	17	75910311A	027	9
71610381B	018	10	74140431A	035	3	74940041A	27A	8	764020002	003	17
71610722A	008	20	74140571A	031	18	74940081A	008	7	76410011A	019	9
71611071B	017	13	74140571A	035	18	74940321A	019	11	76410112A	27A	2
71611071B	027	24	74140641A	031	20	74941108B	023	13	76410241A	016	2
71611281A	008	17	74140651A	029	19	74941113B	018	19	76410241A	022	12
71611641AA	022	11	74140651A	035	12	74941113B	031	7	76410241A	030	7
71614071A	018	7	74141001A	035	5	74941128B	27A	18	76410241A	18A	3
71614091A	030	25	74141711A	017	15	74941128B	27B	16	76410621B	018	45
71614221A	016	15	74141711A	031	29	74950011B	28B	24	76410641A	020	7
71614251A	020	19	74141711A	035	10	74950011B	28B	24	76410641A	24A	14
71614271A	018	31	74141871A	017	3	74950011B	28B	24	76410841A	20A	2
71614581AA	24A	21	74142121A	031	10	75010071A	003	1	76410841A	28B	12
71614601AA	019	14	74142181A	031	28	75010071E	004	7	76410841A	28B	12
71614691AA	019	39	74142371A	029	3	75010281A	34A	6	76410841A	28B	12
71614811AA	034	24	74142381A	019	3	75010481A	22A	8	76410971A	020	3
71614921AA	027	4	74142401A	029	5	75011561A	006	13	76410981A	022	24
71614971AA	030	15	74142501A	031	9	75011601A	008	15	76410981A	031	26
71615071AA	029	21	74142521A	019	23	75011971A	006	14	76411141A	24A	26
71615102AA	28B	16	74142531A	019	22	75012072AA	026	13	76411361A	030	11
71615102AA	28B	16	74142581A	007	7	75012072AA	26A	2	76411421A	018	32
71615102AA	28B	16	74142581A	029	1	75040141A	018	2	76411431A	018	26
71615141AA	28B	5	74142581A	031	4	75050051A	012	12	76411501A	28B	15
71615141AA	28B	5	74142591A	031	15	75620131A	26A	13	76411501A	28B	15
71615141AA	28B	5	74142651A	019	41	757941542	010	27	76411501A	28B	15
71615211AA	027	14	74710151A	010	35	75810642A	24A	6	76411621A	029	12
71850163C	032	7	74750031A	27A	10	75810782A	18A	17	76411711A	24A	22
71850163C	032	7	74750051B	025	13	75810982C	28B	6	76411831A	10A	16
72050159EA	26A	1	74750071A	021	34	75810982C	28B	6	76411851A	017	28
72050338B	010	24	74750231AA	27A	12	75810982C	28B	6	76411881A	034	2
720941616	010	25	74810241A	019	28	75840601A	24A	4	76412061A	032	18
73210543A	019	34	74810351B	022	14	75840641A	017	4	76412061A	032	18
735001542	002	15	74810351B	024	18	75840721A	017	6	76412091A	027	6
735033380	010	26	74810461A	26A	4	75840771A	018	12	76412101A	027	3
735033380	011	17	74810501A	10A	11	75840771A	28B	25	76412221A	34A	4
73740252A	008	5	74810651A	026	1	75840771A	28B	25	76412231A	28B	2
74110101A	18B	14	74840241AB	021	27	75840771A	28B	25	76412231A	28B	2
74110131A	18B	11	74841011AA	28A	18	75840801A	018	13	76412231A	28B	2



CODE	NO. TABLE	POS.	CODE	NO. TABLE	POS.	CODE	NO. TABLE	POS.	CODE	NO. TABLE	POS.
76414191A	023	8	77150693BD	24A	29	77214061AA	18A	1	77251008B	018	9
76440572A	014	8	77150723B	10A	3	77214161AA	20A	3	77251038B	016	4
76440572A	015	8	77150788B	021	17	77214311AA	28B	1	77251043B	018	21
76610553B	10A	2	77150808B	10A	4	77214311AA	28B	1	77251593B	018	29
76640191A	014	21	77151250ZF	002	1	77214311AA	28B	1	77253268C	019	25
76640191A	015	21	77151283B	018	33	77214411AA	018	42	77253330ZF	012	3
768351134	002	10	77151298B	009	8	77214411AB	033	3	77253988C	27A	14
77052508B	011	6	77151363B	10A	5	77214411BA	017	21	77253988C	27B	14
77110191A	020	5	77151398B	10A	6	77240253C	029	14	77310021A	025	25
77110191A	27A	16	77156413B	022	16	77240253C	034	15	77350403B	013	23
77110351A	016	11	77156413B	032	1	77240258C	018	22	77350618B	010	29
77110391B	017	2	77156413B	032	1	77240258C	034	6	77350618B	014	20
77110401B	017	32	77156623B	031	23	77240278C	18A	18	77350618B	022	3
77110401B	24A	1	77156628B	018	38	77240403C	027	13	77350738B	011	5
77110501A	021	10	77156639E	019	5	77240403C	34A	9	77354623B	28B	19
77110518B	009	7	77156658B	016	17	77240418C	28B	26	77354623B	28B	19
77110521A	012	6	77156698B	27A	6	77240418C	28B	26	77354623B	28B	19
77113691A	025	7	77156723B	021	8	77240418C	28B	26	77354743B	022	10
77113731A	021	1	77157238B	025	2	77240423C	019	35	77355068B	019	7
77113741A	021	6	77157248CA	27A	30	77240443C	24A	16	77355203C	018	18
77113801A	008	6	77157248CA	27B	3	77240453C	034	1	77355213C	22A	2
77113961A	011	16	77157268B	021	28	77244168B	18A	10	77440041A	020	17
77116648B	016	8	77157273B	021	18	77244173B	20A	4	77440041A	027	5
77116671AA	031	25	77159418B	021	21	77244173B	34A	11	77440101A	029	6
77140677CF	012	5	77210423C	24A	28	77244178B	28B	11	77440101A	033	16
77140697CF	012	7	77210623B	031	1	77244178B	28B	11	77440101A	034	19
77140713C	005	5	77210842A	28A	5	77244178B	28B	11	77440111A	24A	24
77140713C	011	19	77210842A	28A	5	77244183B	018	1	77440131A	029	10
77140723C	011	15	77210861B	034	5	77244183B	027	28	77440141A	18A	5
77140813C	005	3	77210871BA	27A	19	77244183B	28B	4	77440171A	030	2
77140833C	005	2	77210871BA	27B	15	77244183B	28B	4	77440213C	18A	7
77150078B	010	8	77210882B	019	16	77244183B	28B	4	77440391A	28A	27
77150388B	034	17	77210893B	034	14	77244203B	020	20	77440431AA	018	35
77150408B	011	2	77211021A	24A	25	77244213B	032	8	77510071AB	34A	7
77150408B	017	23	77211031A	016	18	77244213B	032	8	77510311B	010	30
77150408B	032	14	77211061A	18B	9	77244213B	28B	9	77510471A	030	10
77150408B	032	14	77211091A	030	5	77244213B	28B	9	77510541A	024	25
77150408B	18A	21	77211091A	034	10	77244213B	28B	9	77510721A	005	7
77150457E	032	13	77211091A	27A	17	77244233B	027	23	77550191A	030	16
77150457E	032	13	77211091A	27B	1	77244358BA	021	49	77550211B	10A	15
77150498B	020	16	77211091C	030	18	77244398BA	021	43	77550213C	24A	5
77150653B	004	6	77211201A	004	3	77250341B	010	9	77550213C	26A	11
77150653B	010	28	77211401BA	019	18	77250341C	008	4	77550221A	28A	23
77150670ZF	002	3	77211411AA	018	4	77250988B	030	23	77550221A	28A	23



CODE	NO. TABLE	POS.	CODE	NO. TABLE	POS.	CODE	NO. TABLE	POS.	CODE	NO. TABLE	POS.
77750493C	011	24	77919121AA	025	18	79925941A	019	31	82115511A	027	22
77750528B	033	20	77927171A	010	36	79940171A	010	42	82118401AA	22A	9
77840041A	010	31	77950302A	013	16	800070139	01B	8	82412741CB	27B	13
77850281A	021	33	77950621A	010	38	80011851A	007	8	82412751BB	27A	20
77910262A	011	10	78010151D	006	4	80012301A	031	11	82412762AB	27B	4
77910391A	010	32	78010511E	014	12	80012311A	031	5	82412772AB	27A	29
77910921A	023	7	78010511E	015	12	80012321A	031	12	82510491AA	26A	17
77910921A	024	22	78010721A	010	39	80012332A	031	17	82610261A	002	5
77911092A	006	2	78011001B	005	6	80012483A	007	9	82610351BA	032	6
77911622A	010	33	78020011A	019	26	80012521A	031	16	82610351BA	032	6
77912741A	017	29	78050012A	011	32	80610391A	027	18	82714201A	016	9
77913091AB	024	9	78610942AA	007	13	80610401A	027	19	82714931A	020	15
77913311D	024	6	78611001A	007	11	81110021A	010	11	82716031A	010	12
77913662AB	023	16	78710111A	016	6	81140012B	013	21	82716351A	013	20
77913662AB	024	3	78810542A	012	4	81411113B	035	2	82717421AA	28B	28
77913662AB	025	4	78810931A	013	9	81411831A	035	6	82717601A	005	14
77913662AB	24A	11	78810971A	017	19	81411881A	015	25	82717631AA	22A	10
77913971A	023	5	78811041A	18A	9	81413251A	032	17	82717873BA	025	11
77913991A	026	4	78811151A	010	10	81413251A	032	17	82717911B	28B	10
77914043B	006	9	78811211A	013	8	81413261A	031	2	82717911B	28B	10
77914211A	014	23	79010211A	019	30	81413341A	017	10	82717911B	28B	10
77914211A	015	23	79111111A	032	16	81415251B	017	16	82718261A	005	20
77914871C	028	2	79111111A	032	16	81420051A	031	8	82911901A	017	5
77914871C	28A	2	79120481C	007	6	81510221A	016	5	82919612A	029	18
77914871C	28A	2	79710531B	004	1	81510281A	010	43	8291B632B	018	30
77915041A	028	3	79910241B	27A	27	81810162A	004	5	8291B641C	18A	4
77915093A	013	3	79910241B	27B	6	81910601A	026	11	8291B651AA	020	8
77916041C	10A	17	79910491A	010	40	81920021A	26A	6	8291B661BC	020	10
77916081A	030	6	79910891C	22A	6	82110901B	021	11	8291B771AA	18A	11
77916311A	011	3	79912961A	002	20	82111701CA	025	16	8291B871B	18A	20
77917101B	010	34	79915001A	014	19	82111701CA	27A	4	8291B911BA	024	20
77917241AA	22A	4	79915001A	015	19	82112221B	014	17	8291B951BA	023	9
77918132A	002	7	79915011A	014	18	82112221B	015	17	8291C142A	24A	23
77918141A	013	22	79915011A	015	18	82112731A	025	23	8291E581BA	34A	5
77918251AA	28A	21	79915061A	002	4	82112951A	014	15	8291E731B	034	18
77918251AA	28A	21	79915181B	014	26	82112951A	015	15	8291E742BA	28B	21
77918261AA	26A	21	79915181B	015	27	82113471A	012	9	8291E742BA	28B	21
77918291AA	022	1	79915191B	014	27	82113571A	020	11	8291E742BA	28B	21
77918301AB	027	15	79915191B	015	28	82113881A	002	13	83014401A	033	21
77918421AB	28A	7	79915871AA	27A	25	82114571AA	018	25	83015581B	011	30
77918421AB	28A	7	79915871AA	27B	8	82114581BA	018	17	83018172AA	022	4
77918431AA	28A	6	79920772A	010	41	82114731A	002	6	83018181AA	24A	13
77918431AA	28A	6	79920881C	22A	7	82115181AA	27A	21	83018221A	017	30
77918711BA	018	46	79925771B	025	24	82115181AA	27B	12	83018271A	28A	20



CODE	NO. TABLE	POS.	CODE	NO. TABLE	POS.	CODE	NO. TABLE	POS.	CODE	NO. TABLE	POS.
83018271A	28A	20	84010132A	015	1	84010412B	015	2	84010632B	015	2
83018341B	24A	20	84010142A	014	1	84010422B	014	2	84010642B	014	2
83018352AA	018	34	84010142A	015	1	84010422B	015	2	84010642B	015	2
83018411AA	016	10	84010152A	014	1	84010432B	014	2	84010652B	014	2
83018421BA	017	7	84010152A	015	1	84010432B	015	2	84010652B	015	2
83018431AA	022	13	84010162A	014	1	84010442B	014	2	84010662B	014	2
83018601DA	021	13	84010162A	015	1	84010442B	015	2	84010662B	015	2
83018691A	024	24	84010172A	014	1	84010452B	014	2	84010672B	014	2
83018731AA	020	2	84010172A	015	1	84010452B	015	2	84010672B	015	2
83018971A	030	8	84010182A	014	1	84010462B	014	2	84010682B	014	2
8301A231AA	018	20	84010182A	015	1	84010462B	015	2	84010682B	015	2
8301A241AA	018	27	84010192A	014	1	84010472B	014	2	84010692B	014	2
8301A292A	033	2	84010192A	015	1	84010472B	015	2	84010692B	015	2
8301D751BA	021	41	84010202A	014	1	84010482B	014	2	84010702B	014	2
83110151A	010	44	84010202A	015	1	84010482B	015	2	84010702B	015	2
83210031E	28A	22	84010212A	014	1	84010492B	014	2	84010712B	014	2
83210031E	28A	22	84010212A	015	1	84010492B	015	2	84010712B	015	2
83510162A	032	23	84010222A	014	1	84010502B	014	2	84010722A	014	1
83510162A	032	23	84010222A	015	1	84010502B	015	2	84010722A	015	1
84010012A	014	1	84010232A	014	1	84010512B	014	2	84010722B	014	2
84010012A	015	1	84010232A	015	1	84010512B	015	2	84010722B	015	2
84010022A	014	1	84010242A	014	1	84010522B	014	2	84010732A	014	1
84010022A	015	1	84010242A	015	1	84010522B	015	2	84010732A	015	1
84010032A	014	1	84010252A	014	1	84010532B	014	2	84010732B	014	2
84010032A	015	1	84010252A	015	1	84010532B	015	2	84010732B	015	2
84010042A	014	1	84010262A	014	1	84010542B	014	2	84010742B	014	2
84010042A	015	1	84010262A	015	1	84010542B	015	2	84010742B	015	2
84010052A	014	1	84010272A	014	1	84010552B	014	2	84010752B	014	2
84010052A	015	1	84010272A	015	1	84010552B	015	2	84010752B	015	2
84010062A	014	1	84010282A	014	1	84010562B	014	2	84010762B	014	2
84010062A	015	1	84010282A	015	1	84010562B	015	2	84010762B	015	2
84010072A	014	1	84010292A	014	1	84010572B	014	2	84010772B	014	2
84010072A	015	1	84010292A	015	1	84010572B	015	2	84010772B	015	2
84010082A	014	1	84010302A	014	1	84010582B	014	2	84010782B	014	2
84010082A	015	1	84010302A	015	1	84010582B	015	2	84010782B	015	2
84010092A	014	1	84010312A	014	1	84010592B	014	2	84010792B	014	2
84010092A	015	1	84010312A	015	1	84010592B	015	2	84010792B	015	2
84010102A	014	1	84010322A	014	1	84010602B	014	2	84010802B	014	2
84010102A	015	1	84010322A	015	1	84010602B	015	2	84010802B	015	2
84010112A	014	1	84010332A	014	1	84010612B	014	2	84010812B	014	2
84010112A	015	1	84010332A	015	1	84010612B	015	2	84010812B	015	2
84010122A	014	1	84010342A	014	1	84010622B	014	2	84010822B	014	2
84010122A	015	1	84010342A	015	1	84010622B	015	2	84010822B	015	2
84010132A	014	1	84010412B	014	2	84010632B	014	2	84010832B	014	2



CODE	NO. TABLE	POS.	CODE	NO. TABLE	POS.	CODE	NO. TABLE	POS.	CODE	NO. TABLE	POS.
84010832B	015	2	85041041A	022	19	85250231A	014	28	86611001A	021	40
84010842B	014	2	85041051A	022	18	85250231A	015	20	86611001B	033	14
84010842B	015	2	85041121A	034	3	85250231A	017	8	86611121A	24A	8
84010852B	014	2	85041711A	18A	6	85250231A	035	1	86611521A	027	10
84010852B	015	2	85041711A	28A	24	85250241A	011	21	86611611A	18A	12
84010862B	014	2	85041711A	28A	24	85250241A	023	17	86611681A	018	15
84010862B	015	2	85041951AA	018	8	85250241A	024	4	86611692B	020	9
84010872B	014	2	85110041A	003	16	85250241A	025	3	86611701A	033	1
84010872B	015	2	85110131A	008	14	85250241A	24A	12	86611721C	032	2
84011082A	014	1	85110201A	004	8	85250261A	011	25	86611721C	032	2
84011082A	015	1	85140051A	006	12	85250261B	014	11	86611731A	18A	19
84011092A	014	1	85210051A	002	14	85250261B	015	11	86611811A	027	20
84011092A	015	1	85210241A	34A	8	85250271A	019	6	86611861A	24A	27
84011102A	014	1	85210491B	021	26	85250291A	021	50	86611891A	033	24
84011102A	015	1	85210532A	010	46	85250401A	021	23	86611981A	18A	13
84011112A	014	1	85210532A	025	22	85250421A	010	49	86611991A	017	14
84011112A	015	1	85210532A	27A	7	85250481A	011	20	86612101A	033	25
84011122A	014	1	85210721B	019	15	85250601A	018	28	86612221A	033	17
84011122A	015	1	85210941A	002	19	85250631A	005	17	87210532A	18B	6
84011132A	014	1	85211031AB	021	32	85310021A	008	8	87210641A	18B	8
84011132A	015	1	85211721A	011	7	85310021A	009	9	87210751A	28A	12
84011142A	014	1	85211761A	020	6	85310031A	10A	13	87210751A	28A	12
84011142A	015	1	85211911A	031	27	85310041A	009	4	87210912A	022	21
84740021A	27A	28	85211951A	010	47	85350101A	012	17	87210922A	022	20
84740021A	27B	5	85211951A	016	13	85350101A	018	37	87210941A	022	23
84740061A	010	45	85212171A	26A	15	85550001B	027	27	87210951A	022	22
84820112AA	021	48	85212211A	026	14	85550001B	18B	10	87240821A	28A	25
84850011A	27A	13	85212211A	26A	3	85610421A	032	24	87240821A	28A	25
84850021A	27A	9	85212221A	026	6	85610421A	032	24	87240921A	030	22
85010151A	025	19	85212271A	019	42	85610421A	034	13	87310051A	013	13
85040381A	016	14	85212511A	28B	23	85610623A	008	19	87512131A	010	51
85040381A	018	6	85212511A	28B	23	85610642A	10A	10	87522391A	010	53
85040381A	019	40	85212511A	28B	23	85610743A	013	4	87610581A	031	19
85040471A	034	23	85212751A	016	19	85611372A	003	6	87611181A	035	15
85040471A	34A	10	85212881D	006	11	85611391B	004	2	87611211A	029	4
85040521A	027	31	85213011A	010	15	85611481A	010	50	87611221B	029	9
85040551A	018	24	85213601A	005	10	85640141A	010	64	87612921A	029	2
85040551A	019	13	85213641A	006	3	86010051B	10A	7	87710681A	025	8
85040551A	027	26	85213681A	019	1	86050061A	014	24	87711111A	024	17
85040551A	030	14	85213751AA	033	15	86050061A	015	24	87711131A	023	15
85040551A	034	28	85240131A	030	3	86150251A	033	5	88110121A	002	16
85040671A	027	16	85240211A	029	7	86610301A	033	13	88110461A	031	14
85040671A	18B	3	85241711A	030	9	86610361A	18A	22	88110541A	26A	7
85040821A	034	8	85250231A	010	48	86610731A	18A	16	88110921A	012	2



CODE	NO. TABLE	POS.	CODE	NO. TABLE	POS.	CODE	NO. TABLE	POS.
88110931A	020	24	887131821	01A	9	91373931E	027	17
88110961A	020	25	887131832	001	9	91373931F	027	17
88210031A	008	11	887131906	01A	15	91373931G	027	17
88210151A	003	7	887131920	01A	8	92610051A	022	25
88440511A	26A	18	887131994	01A	12	92610051A	027	12
88440651A	010	54	887132011	01A	7	93010041B	021	30
88450341B	002	22	887132068	001	13	93010102A	26A	26
88450431A	011	8	887132096	001	1	93040211A	005	9
88450441A	021	15	887132103	001	7	93040221A	010	61
88450441A	27A	22	887132409	01B	6	93040521A	026	18
88450441A	27B	11	887132442	001	2	93040931A	010	62
88450581A	010	55	887132571	001	4	93041631B	010	63
88450661A	018	16	887132870	01A	10	93050051A	011	26
88450661A	019	33	887132877	01A	17	93050062B	011	28
88450711A	005	11	887132906	001	6	93050072A	013	17
88610241A	10A	8	887132951	01B	3	93050121A	28A	14
88610951A	011	22	887133211	01B	5	93050121A	28A	14
88640331A	010	56	887133219	01A	16	93410212A	031	21
88640371A	009	6	887133220	01B	1	93510251B	035	4
88641031A	031	3	887133334	001	11	93510261B	035	7
88641061A	021	45	887133352	001	5	93510271B	035	11
88641161A	025	17	887133367	001	8	93510281B	035	16
88641161A	27A	5	887133406	01A	4	93510291B	035	14
88641181A	010	52	887133408	001	10	937831524	011	18
88641181A	10A	9	887133417	001	12	942470014	011	12
88641241A	26A	16	887133497	01A	1	942470014	10A	12
88641321A	005	12	887134411	01A	11	944650035	L	1
88641321A	009	5	887134513	01B	2	944650037	L	2
88641581A	010	58	887651298	001	3	97610191AA	021	42
88641731A	004	17	887651518	01A	5	979000252	01C	1
88641961A	010	37	887651623	01A	14	979000253	01C	2
88642231A	017	27	89310143A	031	24	979000254	01C	3
88642301A	005	18	89320062A	010	59	979000255	01C	4
88650131A	010	57	89320191A	005	15	979000256	01C	5
88650511A	013	1	89340211A	024	23	979000259	01C	7
887005644	01A	3	89340241A	023	11			
887130022	001	15	89340241A	025	5			
887131010	01A	2	89410241A	010	60			
887131058	01B	7	89520072A	032	15			
887131062	01B	9	89520072A	032	15			
887131074	01B	4	91373931A	027	17			
887131309	001	14	91373931B	027	17			
887131749	01A	13	91373931C	027	17			
887131806	01A	6	91373931D	027	17			



Ducati Motor Holding S.p.A.

Uffici Commerciali Amministrativi:

Via A. Cavalieri Ducati n. 3

40132 Bologna, Italy

Telefono 051 6413111

Fax 051 406580

Internet www.ducati.com