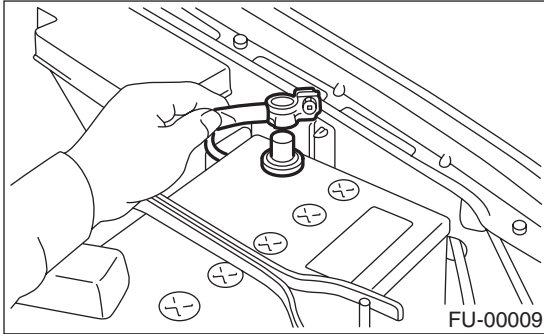


6. Engine Oil Pressure

A: INSPECTION

1) Disconnect the ground cable from battery.



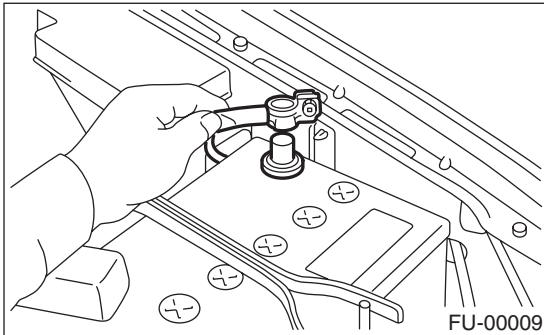
2) Remove the generator from bracket. <Ref. to SC(H4SO)-15, REMOVAL, Generator.>

3) Disconnect the connector from oil pressure switch.

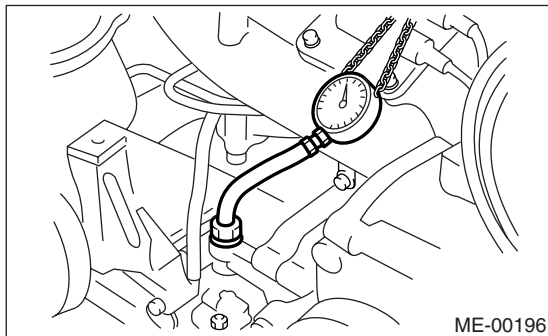
4) Remove the oil pressure switch from engine cylinder block. <Ref. to LU(H4SO)-22, REMOVAL, Oil Pressure Switch.>

5) Connect the oil pressure gauge hose to cylinder block.

6) Connect the battery ground cable to battery.



7) Start the engine, and then measure the oil pressure.



Oil pressure:

88 kPa (0.9 kg/cm², 13 psi) or more at 800 rpm

294 kPa (3.0 kg/cm², 43 psi) or more at 5,000 rpm

- If the oil pressure is out of specification, check the oil pump, oil filter and lubrication line. <Ref. to LU(H4SO)-26, INSPECTION, Engine Lubrication System Trouble in General.>
- If the oil pressure warning light is turned ON and oil pressure is in specification, replace the oil pressure switch. <Ref. to LU(H4SO)-26, INSPECTION, Engine Lubrication System Trouble in General.>

NOTE:

The specified data is based on an engine oil temperature of 80°C (176°F).

8) After measuring the oil pressure, install the oil pressure switch. <Ref. to LU(H4SO)-22, INSTALLATION, Oil Pressure Switch.>

Tightening torque:

25 N·m (2.5 kgf·m, 18.1 ft·lb)

9) Install the generator and V-belt in the reverse order of removal, and then adjust the V-belt deflection. <Ref. to ME(H4SO)-42, INSTALLATION, V-belt.>