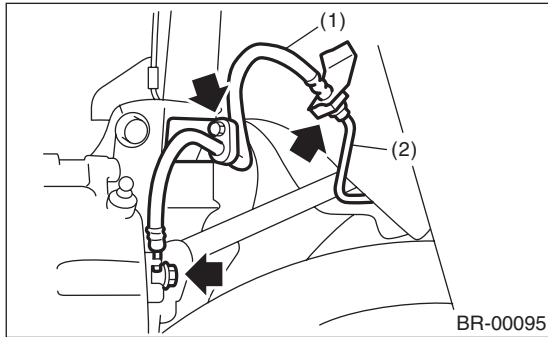


## 16. Brake Hose

### A: REMOVAL

#### 1. FRONT BRAKE HOSE

- 1) Separate the brake pipe from brake hose.  
(Always use flare nut wrench and be careful not to deform the flare nut.)
- 2) Pull out the clamp to remove brake hose.
- 3) Remove the bolt at strut and union bolt.



- (1) Brake hose
- (2) Brake pipe

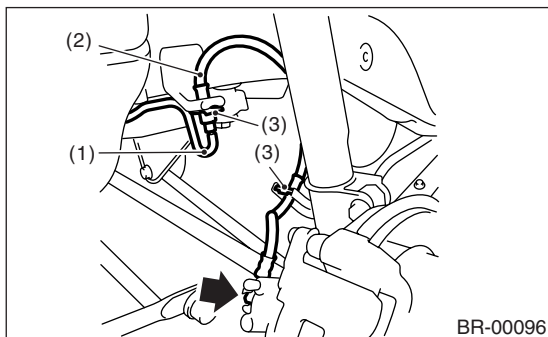
#### 2. REAR BRAKE HOSE (DISC BRAKE)

- 1) Separate the brake pipe from brake hose.

#### NOTE:

Always use flare nut wrench and be careful not to deform the flare nut.

- 2) Remove the clamp and union bolt.

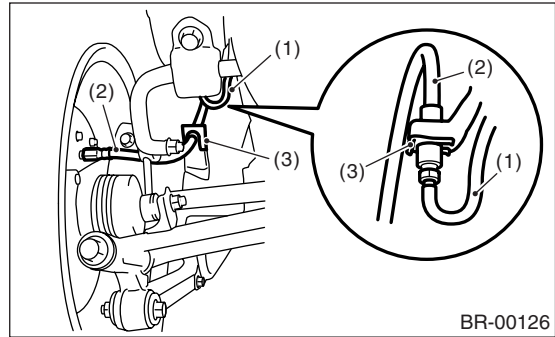


- (1) Brake pipe
- (2) Brake hose
- (3) Brake hose clamp

#### 3. REAR BRAKE HOSE (DRUM BRAKE)

- 1) Separate the brake pipe from brake hose using a flare nut wrench.
- 2) Remove two clamps.

- 3) Separate the brake hose from wheel cylinder.



- (1) Brake pipe
- (2) Brake hose
- (3) Brake hose clamp

### B: INSTALLATION

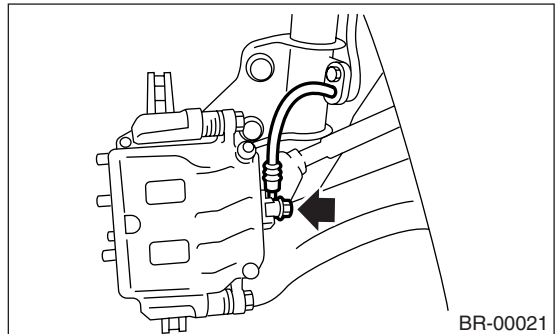
#### 1. FRONT BRAKE HOSE

- 1) Secure the brake hose to strut.

**Tightening torque (Union bolt):**  
**32 N·m (3.3 kgf-m, 23.6 ft-lb)**

- 2) Install the brake hose to caliper using a new gasket.

**Tightening torque (Union bolt):**  
**18 N·m (1.8 kgf-m, 13.0 ft-lb)**



- 3) Position the disc in straight-forward direction and route brake hose through hole in bracket on wheel apron side.

#### CAUTION:

**Be sure brake hose is not twisted.**

- 4) Temporarily tighten the flare nut to connect brake pipe and hose.
- 5) Fix the brake hose with clamp at wheel apron bracket.
- 6) While holding the hexagonal part of brake hose fitting with a wrench, tighten the flare nut to the specified torque.

**Tightening torque (Brake pipe flare nut):**  
**15 N·m (1.5 kgf-m, 10.8 ft-lb)**

- 7) Bleed air from the brake system.

# BRAKE HOSE

## BRAKE

### 2. REAR BRAKE HOSE (DISC BRAKE)

- 1) Pass the brake hose through hole of bracket, and lightly tighten the flare nut to connect brake pipe.
- 2) Insert the clamp upward to fix brake hose.
- 3) Install the brake hose to caliper using a new gas-ket.

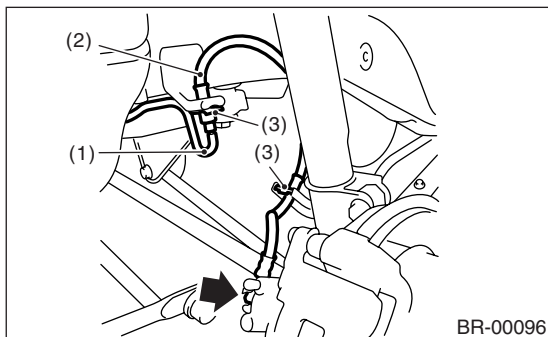
**Tightening torque (Brake pipe flare nut):**

**18 N·m (1.8 kgf-m, 13.0 ft-lb)**

- 4) While holding the hexagonal part of brake hose fitting with a wrench, tighten the flare nut to the specified torque.

**Tightening torque (Brake pipe flare nut):**

**15 N·m (1.5 kgf-m, 10.8 ft-lb)**



- (1) Brake pipe
- (2) Brake hose
- (3) Brake hose clamp

- 5) Bleed air from the brake system.

### 3. REAR BRAKE HOSE (DRUM BRAKE)

- 1) Install the brake hose to wheel cylinder.

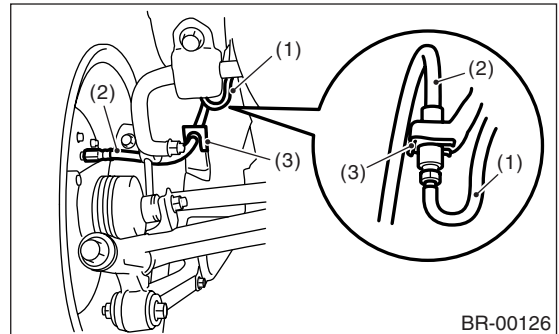
**Tightening torque:**

**15 N·m (1.5 kgf-m, 10.8 ft-lb)**

- 2) Secure the brake hose to bracket on strut using a clamp.
- 3) Connect the brake hose through hole in bracket on body.

**Tightening torque:**

**15 N·m (1.5 kgf-m, 10.8 ft-lb)**



- (1) Brake pipe
- (2) Brake hose
- (3) Brake hose clamp

- 4) Bleed air from the brake system.

### C: INSPECTION

Ensure there are no cracks, breakage, or damage on the hoses. Check the joints for fluid leakage. If any cracks, breakage, damage or leakage is found, repair or replace the hose.