

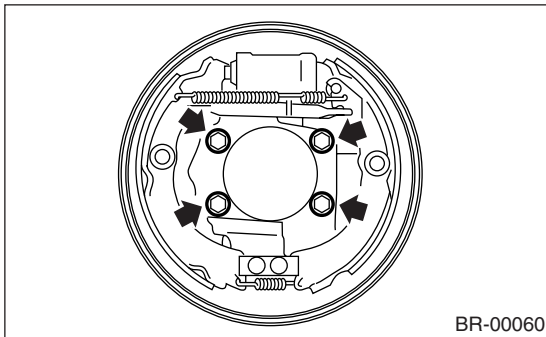
## 10. Rear Drum Brake Assembly

### A: REMOVAL

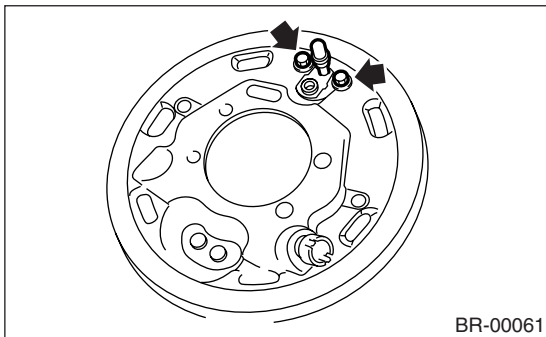
**CAUTION:**

**Do not allow brake fluid to come in contact with vehicle body; wash away with water and wipe off completely if spilled.**

- 1) Set the vehicle on a lift.
- 2) Loosen the wheel nuts.
- 3) Lift-up the vehicle, and then remove the wheels.
- 4) Release the parking brake.
- 5) Remove the brake drum from brake assembly. <Ref. to BR-28, REMOVAL, Rear Drum Brake Drum.>
- 6) Remove the brake shoe. <Ref. to BR-26, REMOVAL, Rear Drum Brake Shoe.>
- 7) Disconnect the brake hose. <Ref. to BR-43, REAR BRAKE HOSE (DRUM BRAKE), REMOVAL, Brake Hose.>
- 8) Remove the hub. <Ref. to DS-25, REMOVAL, Rear Axle.>
- 9) Disconnect the ABS sensor from back plate.
- 10) Remove the brake assembly.



- 11) Remove the bolts installing wheel cylinder on back plate, and remove it.

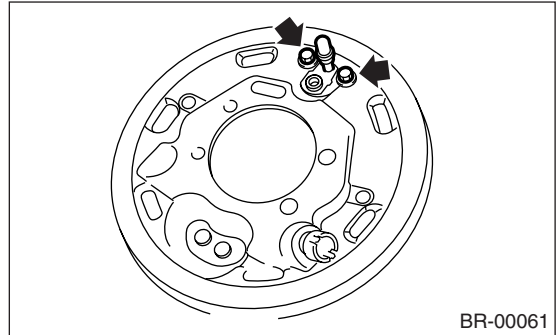


### B: INSTALLATION

- 1) Clean the back plate and wheel cylinder.
- 2) Install the wheel cylinder on back plate, and tighten bolts.

**Tightening torque:**

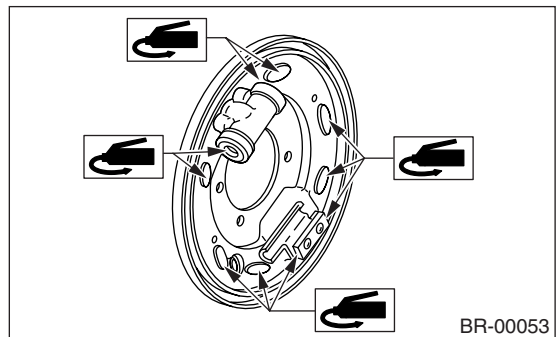
**10 N·m (1.0 kgf-m, 7.2 ft-lb)**



- 3) Apply grease to the portions indicated by arrows in the figure.

**Brake grease:**

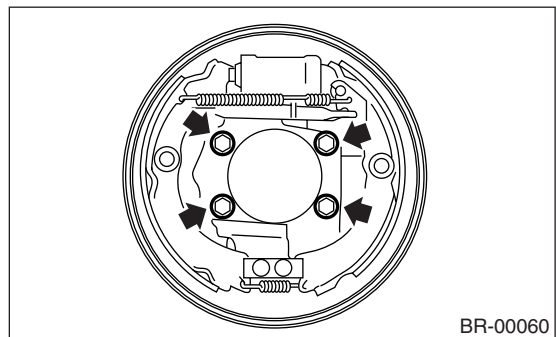
**Dow Corning Molykote No. 7439 (Part No. 003602001)**



- 4) Install the brake assembly on housing, and tighten the bolts to install back plate.

**Tightening torque:**

**53 N·m (5.4 kgf-m, 39.1 ft-lb)**



- 5) Install the hub. <Ref. to DS-28, INSTALLATION, Rear Axle.>

# REAR DRUM BRAKE ASSEMBLY

## BRAKE

6) Connect the brake hose, and tighten the brake hose flange nut.

### Tightening torque:

**15 N·m (1.5 kgf·m, 10.8 ft·lb)**

7) Connect the ABS sensor to back plate.

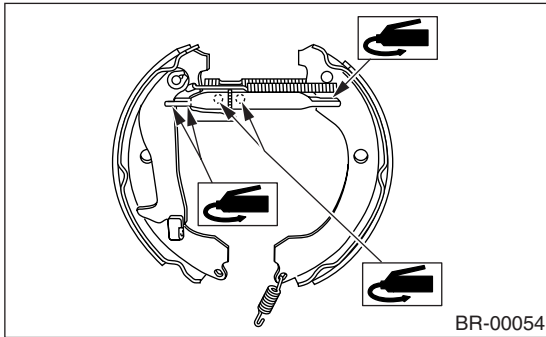
### Tightening torque:

**32 N·m (3.3 kgf·m, 24 ft·lb)**

8) Apply grease to the adjusting screw and both ends of adjuster.

### Brake grease:

**Dow Corning Molykote No. 7439 (Part No. 003602001)**



BR-00054

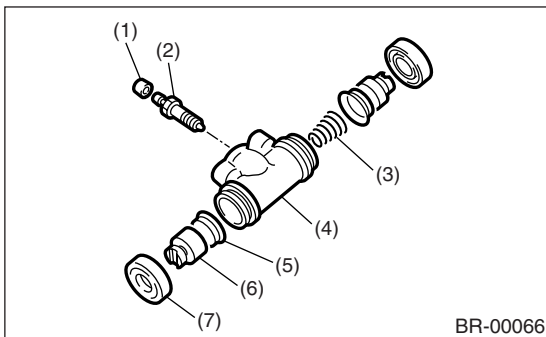
9) Install the brake shoe. <Ref. to BR-27, INSTALLATION, Rear Drum Brake Shoe.>

10) Install the brake drum. <Ref. to BR-28, INSTALLATION, Rear Drum Brake Drum.>

11) After installing the brake assembly, bleed air from the brake line. <Ref. to BR-41, Air Bleeding.>

## C: DISASSEMBLY

1) Remove the right and left dust boots from wheel cylinder.



BR-00066

- (1) Bleeder cap
- (2) Bleeder screw
- (3) Spring
- (4) Cylinder
- (5) Cup
- (6) Piston
- (7) Boot

2) Remove the piston, cup, spring and air bleeder screw and cap.

## D: ASSEMBLY

1) Clean all parts in brake fluid. Check and replace the faulty parts.

- Cup and boot for damage or fatigue
- Cylinder, piston and spring or damage or rust formation

2) Assemble in the reverse order of disassembly.

(1) When installing the cup, use ST, apply brake fluid to the frictional surface for smooth installation and pay attention to cup direction.

(2) STs are available in different sizes.

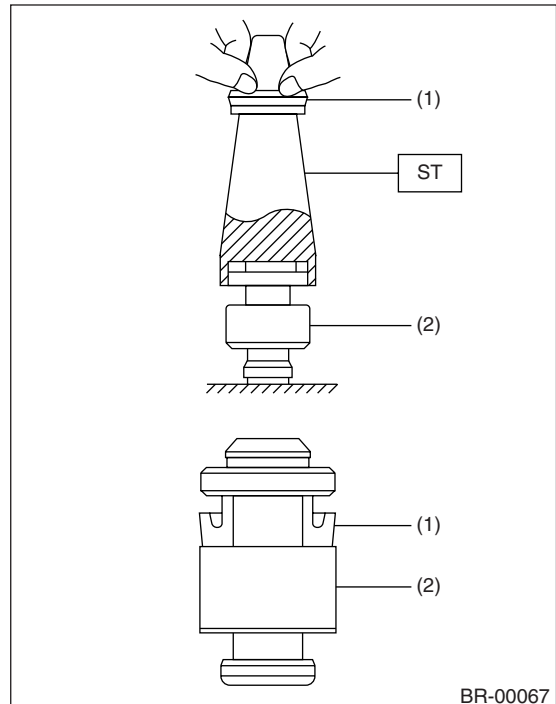
### CAUTION:

- When replacing the repair kit, make sure that the sizes of cylinder and cup are same as those which were replaced.

ST: ADAPTER	
Applicable size	Part No.
19 mm (3/4 in)	926460000

### CAUTION:

- While assembling, be careful to prevent any metal chip, dust or dirt from entering the wheel cylinder.



BR-00067

- (1) Cup
- (2) Piston

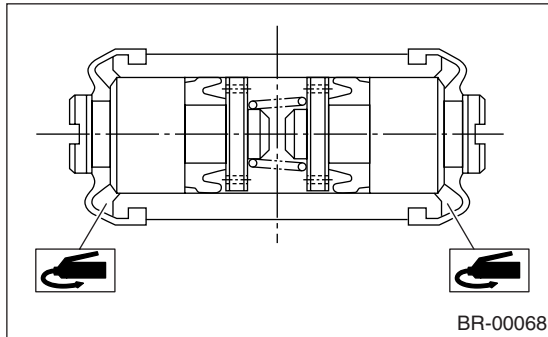
3) Apply rubber grease to the boot inside as shown in the figure.

**CAUTION:**

**Never use brake grease.**

**Grease:**

***NIGLUBE RX-2 (Part No. K0779GA102)***



**E: INSPECTION**

If the deformation or wear of back plate, shoe, etc. are notable, replace them.