

DIFFERENTIAL GEAR OIL

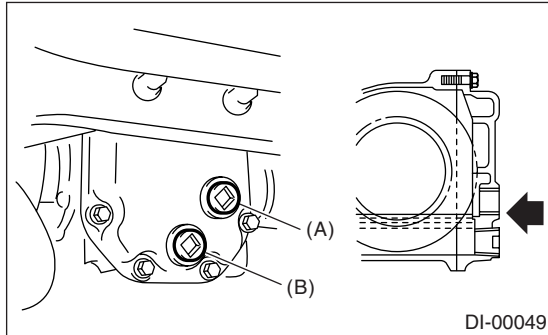
DIFFERENTIALS

2. Differential Gear Oil

A: INSPECTION

1) Take out the filler plug, and replace the gear oil if it is contaminated or deteriorated. <Ref. to DI-16, REPLACEMENT, Differential Gear Oil.>

2) Check the gear oil level is up to the bottom part of filler bolt. If the level is low, refill up to the bottom of filler bolt.



- (A) Filler plug
- (B) Drain plug

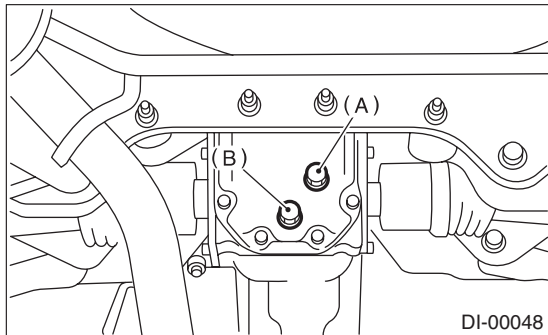
B: REPLACEMENT

1) Jack-up the vehicle and support it with sturdy racks.

2) Remove the oil drain plug and filler plug, and drain the gear oil.

CAUTION:

Be careful not to burn your hands, because gear oil becomes extremely hot after running.



- (A) Filler plug
- (B) Drain plug

3) Tighten the oil drain plug.

NOTE:

Apply liquid gasket to the drain plug.

Liquid gasket:

THREE BOND 1105 (Part number: 004403010)
or equivalent

Tightening torque:

49 N·m (5.0 kgf·m, 36.2 ft·lb)

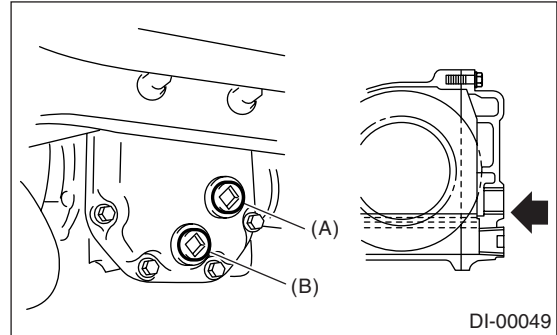
4) Fill the differential carrier with gear oil to the upper plug level.

NOTE:

Carefully refill oil while watching the level. Excess or insufficient oil must be avoided.

Oil capacity:

0.8 ℓ (0.8 US qt, 0.7 Imp qt)



- (A) Filler plug
- (B) Drain plug

5) Install the filler plug.

NOTE:

Apply liquid gasket to the filler plug.

Liquid gasket:

THREE BOND 1105 (Part number: 004403010)
or equivalent

Tightening torque:

49 N·m (5.0 kgf·m, 36.2 ft·lb)