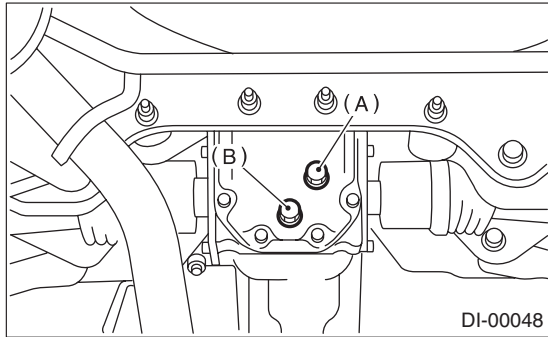


5. Rear Differential Front Oil Seal

A: REPLACEMENT

- 1) Set the vehicle on a lift.
- 2) Disconnect the ground cable from battery.
- 3) Move the select lever or gear shift lever to "N".
- 4) Release the parking brake.
- 5) Remove the oil drain plug, and drain the gear oil.



- (A) Filler plug
(B) Drain plug

- 6) Install the oil drain plug.

NOTE:

Apply liquid gasket to the drain plug.

Liquid gasket:

Part No. 004403010

THREE BOND 1105 or equivalent

Tightening torque:

49 N·m (5.0 kgf·m, 36.2 ft·lb)

- 7) Jack-up the rear wheels and support the vehicle body with sturdy racks.

- 8) Remove the rear exhaust pipe and muffler.

Non-turbo model

<Ref. to EX(H4SO)-8, REMOVAL, Rear Exhaust Pipe.> and <Ref. to EX(H4SO)-9, REMOVAL, Muffler.>

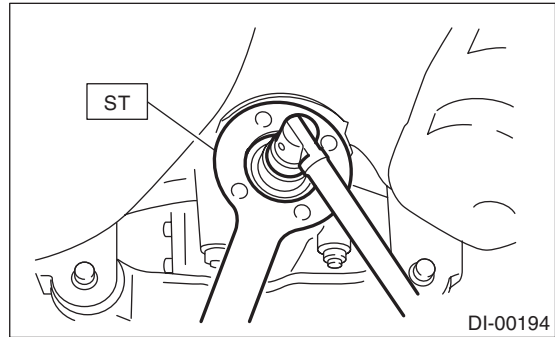
Turbo model

<Ref. to EX(H4DOTC)-13, REMOVAL, Rear Exhaust Pipe.> and <Ref. to EX(H4DOTC)-15, REMOVAL, Muffler.>

- 9) Remove the propeller shaft from body. <Ref. to DS-15, REMOVAL, Propeller Shaft.>

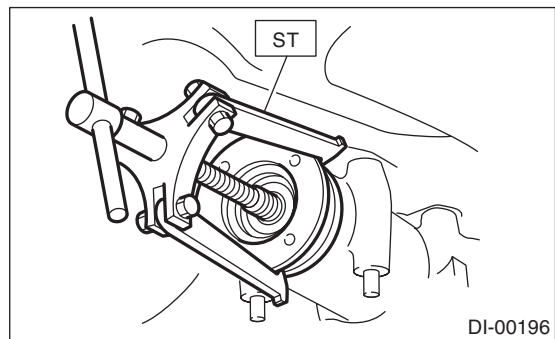
- 10) Remove the self-locking nut while holding the companion flange with ST.

ST 498427200 FLANGE WRENCH



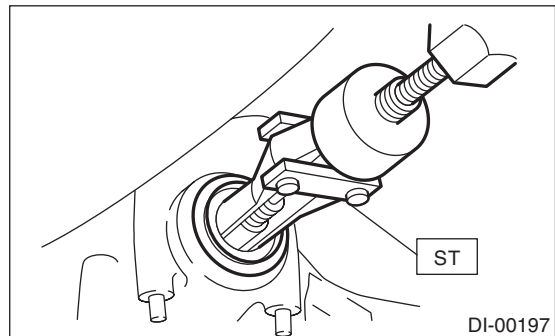
- 11) Extract the companion flange using ST.

ST 399703600 PULLER ASSY



- 12) Remove the oil seal using ST.

ST 398527700 PULLER ASSY

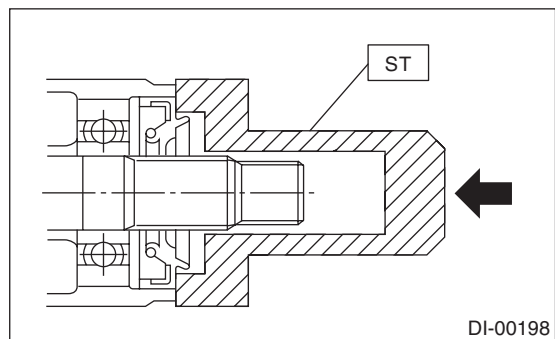


- 13) Fit a new oil seal using ST.

NOTE:

Apply oil to the outer surface of oil seal.

ST 498447120 INSTALLER



REAR DIFFERENTIAL FRONT OIL SEAL

DIFFERENTIALS

14) Install the companion flange.

NOTE:

Use a plastic hammer to install the companion flange.

15) Tighten the self-locking nut within the specified torque range so that the turning resistance of companion flange becomes the same as that before replacing oil seal.

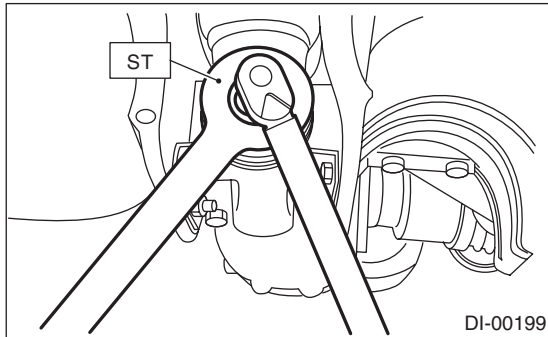
ST 498427200 FLANGE WRENCH

NOTE:

Use a new self-locking nut.

Tightening torque:

181 N·m (18.5 kgf·m, 134 ft·lb)



16) Hereafter, reassemble in the reverse order of disassembly.

17) After installation, fill the differential carrier with gear oil to the filler plug level. <Ref. to DI-16, Differential Gear Oil.>