

# REAR DIFFERENTIAL MEMBER

## DIFFERENTIALS

### 7. Rear Differential Member

#### A: REMOVAL

- 1) Set the vehicle on a lift.
- 2) Disconnect the ground cable from battery.
- 3) Move the selector lever or gear shift lever to "N".
- 4) Release the parking brake.
- 5) Loosen the wheel nuts.
- 6) Jack-up the vehicle and support it with study racks.
- 7) Remove the wheels.
- 8) Remove the rear exhaust pipe and muffler.

Non-turbo model

<Ref. to EX(H4SO)-8, REMOVAL, Rear Exhaust Pipe.> and <Ref. to EX(H4SO)-9, REMOVAL, Muffler.>

Turbo model

<Ref. to EX(H4DOTC)-13, REMOVAL, Rear Exhaust Pipe.> and <Ref. to EX(H4DOTC)-15, REMOVAL, Muffler.>

- 9) Remove the rear differential front member.

#### NOTE:

When removing the rear differential front member, work the removal procedure as rear differential. <Ref. to DI-18, REMOVAL, Rear Differential.>

- 10) Remove the differential rear member.

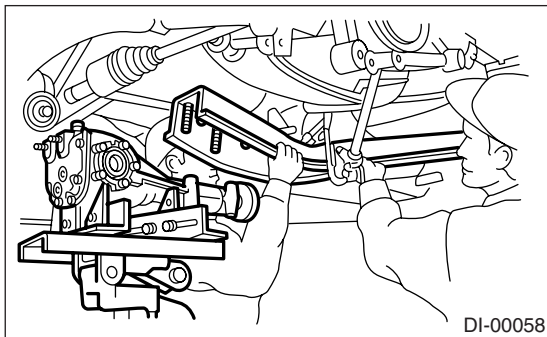
#### B: INSTALLATION

Install in the reverse order of removal.

- 1) Position the front member on body by passing it under the parking brake cable and securing to rear differential.

#### NOTE:

When installing the rear differential front member, do not confuse the installation sequence of the stopper.

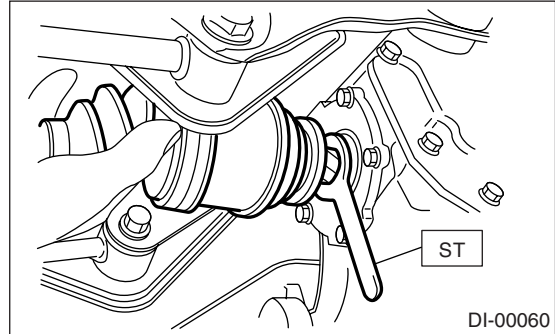


- 2) Insert the DOJ of rear drive shaft into rear differential. <Ref. to DI-35, REPLACEMENT, Rear Differential Side Oil Seal.>

#### NOTE:

Before inserting, replace the differential side oil seal with a new one.

ST 28099PA090 SIDE OIL SEAL PROTECTOR



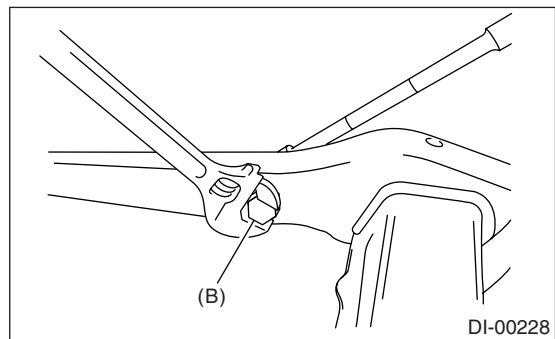
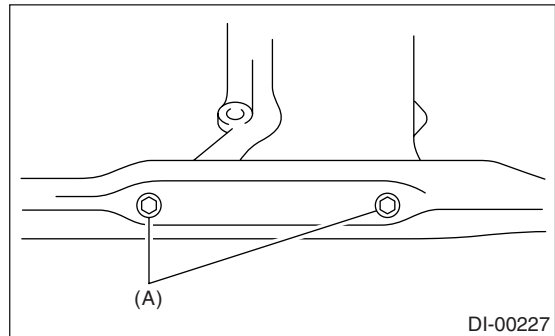
- 3) Hereafter, install in the reverse order of removal.

#### C: DISASSEMBLY

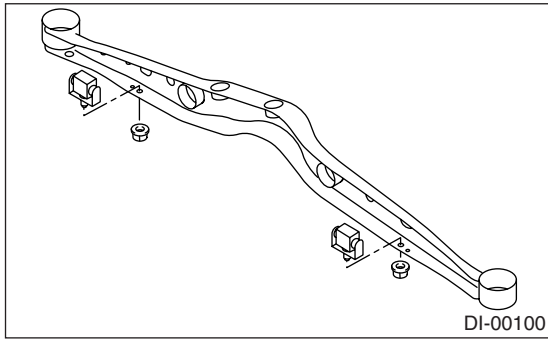
#### NOTE:

Clean the rear differential member before disassembly.

- 1) Remove the bolt (A) and (B) which connect front differential member and differential mounting bracket.



2) Remove the dynamic damper from front differential member.



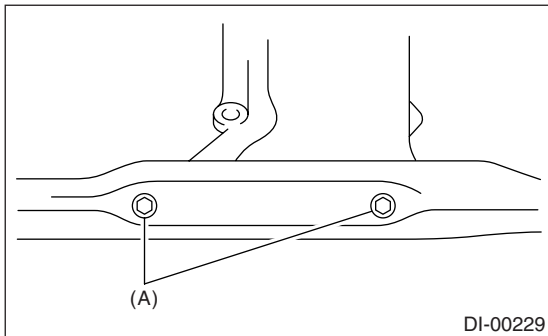
## D: ASSEMBLY

1) Install the dynamic damper to front differential member.

### Tightening torque:

**20 N·m (2.0 kgf·m, 14.5 ft·lb)**

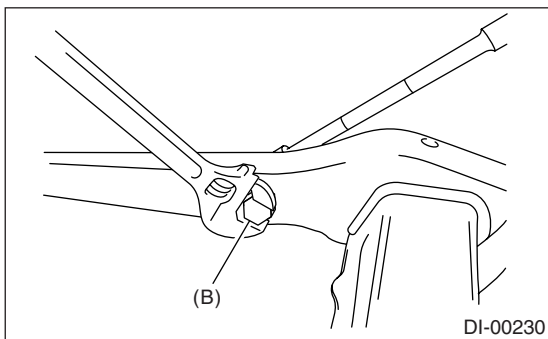
2) Temporarily tighten the connecting bolt (A) which secures front differential to differential mount.



3) Tighten the nut of connecting bolt (B).

### Tightening torque:

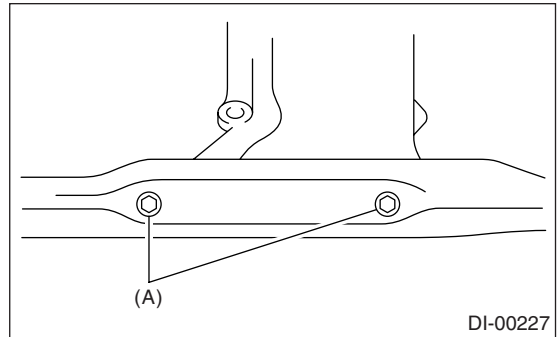
**125 N·m (12.7 kgf·m, 92.2 ft·lb)**



4) Tighten the nut of connecting bolt (A).

### Tightening torque:

**70 N·m (7.1 kgf·m, 51.6 ft·lb)**



## E: INSPECTION

1) Check the rear differential member for damage, bend, or corrosion.

If damage, bend, or corrosion is excessive, replace the rear differential member.

2) Check the bushings of rear differential member for cracking, hardening, or damage.

If cracking, hardening, or damage is excessive, replace the rear differential member.