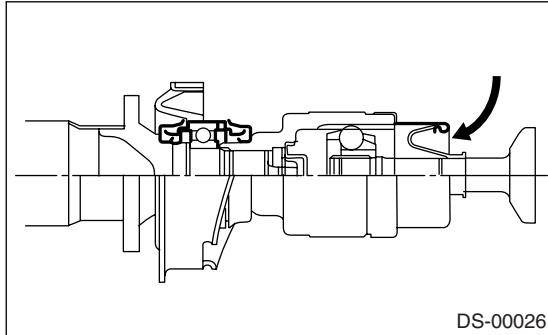


## 2. Propeller Shaft

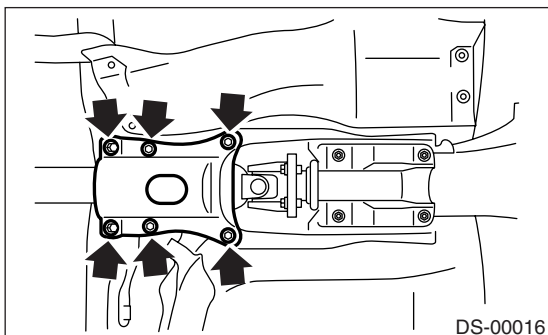
### A: REMOVAL

**NOTE:**

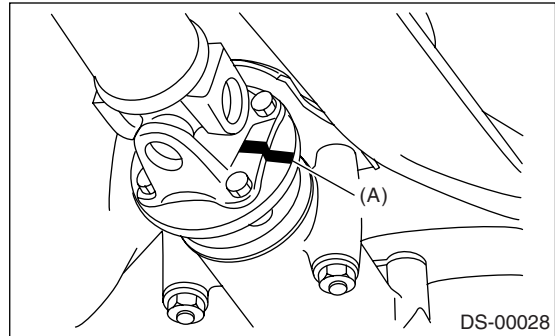
- Before removing the propeller shaft, wrap the metal parts with a cloth or rubber material.
- In case of DOJ type, before removing the propeller shaft, wrap the metal parts (installed at the rubber boot of center DOJ) with a cloth or rubber material, as shown in the figure. Rubber boot may be damaged due to interference with adjacent metal parts while bending the DOJ during removal.



- 1) Disconnect the ground cable from battery.
- 2) Move the select lever or gear shift lever to "N".
- 3) Release the parking brake.
- 4) Jack-up the vehicle and support it with sturdy racks.
- 5) Remove the center exhaust pipes.  
Non-turbo model  
<Ref. to EX(H4SO)-7, REMOVAL, Center Exhaust Pipe.>  
Turbo model  
<Ref. to EX(H4DOTC)-8, REMOVAL, Center Exhaust Pipe.>
- 6) Remove the rear exhaust pipe and muffler.  
Non-turbo model  
<Ref. to EX(H4SO)-8, REMOVAL, Rear Exhaust Pipe.>  
<Ref. to EX(H4SO)-9, REMOVAL, Muffler.>  
Turbo model  
<Ref. to EX(H4DOTC)-13, REMOVAL, Rear Exhaust Pipe.>  
<Ref. to EX(H4DOTC)-15, REMOVAL, Muffler.>
- 7) Remove the differential mount front cover.

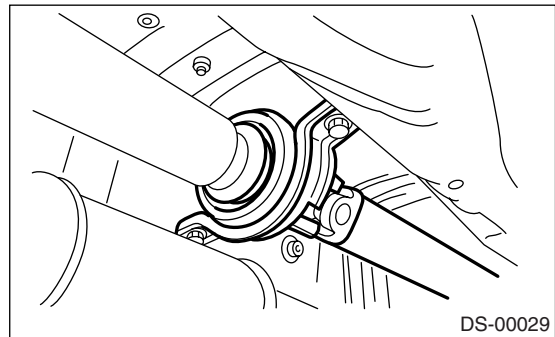


- 8) Make matching marks on affected parts before removal.



(A) Matching mark

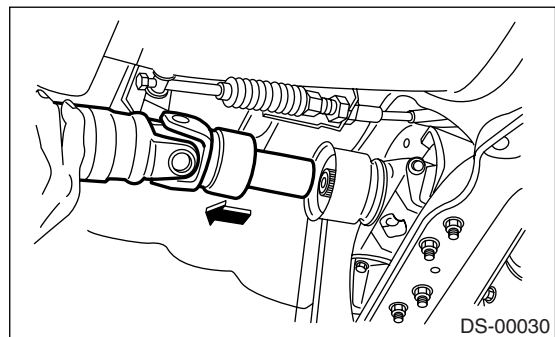
- 9) Remove the three bolts which hold propeller shaft to rear differential.
- 10) Remove the remaining bolt.
- 11) Remove the two bolts which hold center bearing to vehicle body.



- 12) Remove the propeller shaft from transmission.

**CAUTION:**

- Be careful not to damage the oil seals and frictional surface of sleeve yoke.
- Cover the center exhaust pipe with a cloth to keep off any ATF or oil spilled from transmission when removing the propeller shaft.



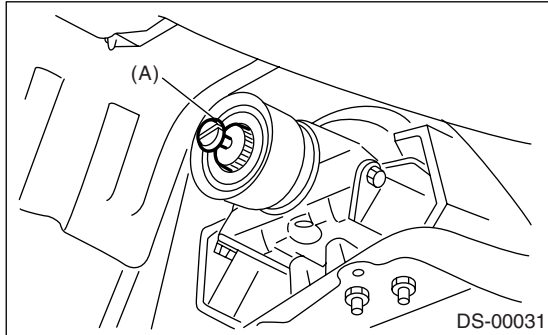
# PROPELLER SHAFT

## DRIVE SHAFT SYSTEM

13) Install the extension cap to transmission.

### NOTE:

If the extension cap is not available, place a vinyl bag over opening and fasten with string to prevent gear oil or ATF from leaking.



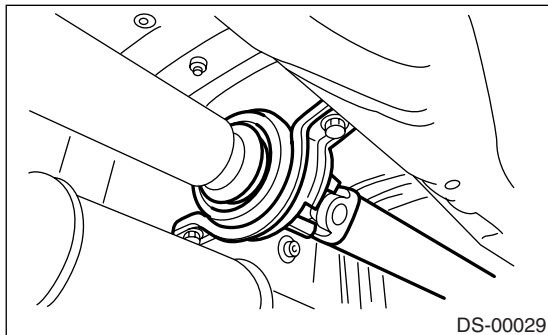
(A) Extension cap

## B: INSTALLATION

1) Insert the sleeve yoke into transmission, and then attach the center bearing to body.

### Tightening torque:

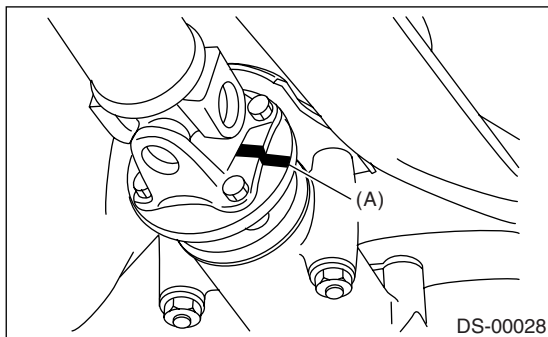
**52 N·m (5.3 kgf-m, 38.3 ft-lb)**



2) Align the matching marks, and then connect the flange yoke and rear differential.

### Tightening torque:

**31 N·m (3.2 kgf-m, 23.1 ft-lb)**



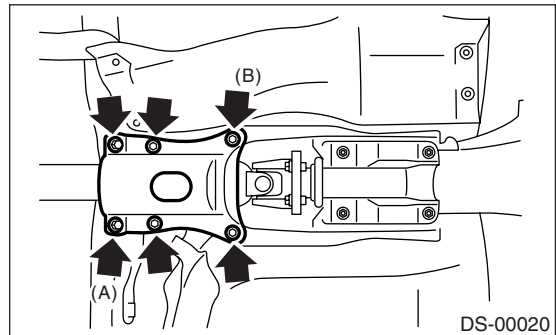
(A) Matching mark

3) Using new bolts, install the differential mount front cover.

- (1) Temporarily tighten the bolt (A) while pushing cover forward.
- (2) Tighten the bolt (B) to specified torque.
- (3) Tighten the bolt (A) to specified torque.
- (4) Tighten the remaining bolts to specified torque.

### Tightening torque:

**90 N·m (9.2 kgf-m, 66 ft-lb)**



4) Install the center exhaust pipes.

Non-turbo model

<Ref. to EX(H4SO)-7, INSTALLATION, Center Exhaust Pipe.>

Turbo model

<Ref. to EX(H4DOTC)-9, INSTALLATION, Center Exhaust Pipe.>

5) Install the rear exhaust pipe and muffler.

Non-turbo model

<Ref. to EX(H4SO)-8, INSTALLATION, Rear Exhaust Pipe.>

<Ref. to EX(H4SO)-9, INSTALLATION, Muffler.>

Turbo model

<Ref. to EX(H4DOTC)-13, INSTALLATION, Rear Exhaust Pipe.>

<Ref. to EX(H4DOTC)-15, INSTALLATION, Muffler.>

## C: INSPECTION

### NOTE:

Do not disassemble the propeller shaft. Check the following and replace if necessary.

- 1) Tube surfaces for dents or cracks
  - 2) Splines for deformation or abnormal wear
  - 3) Joints for non-smooth operation or noise
  - 4) Center bearing for free play, noise or non-smooth operation
  - 5) Oil seals for abnormal wear or damage
  - 6) Center bearing for breakage
- Check the following points with propeller shaft installed in vehicle.

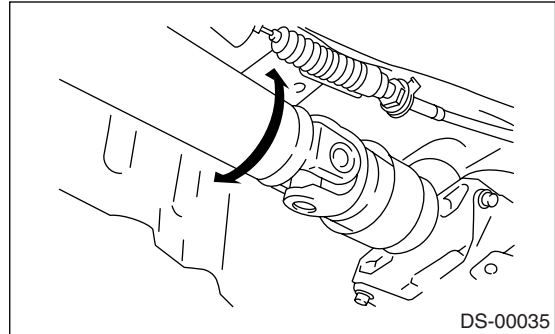
### 1. JOINTS AND CONNECTIONS

- 1) Remove the center exhaust pipes.  
Non-turbo model  
<Ref. to EX(H4SO)-7, REMOVAL, Center Exhaust Pipe.>  
Turbo model  
<Ref. to EX(H4DOTC)-8, REMOVAL, Center Exhaust Pipe.>
- 2) Remove the heat shield cover. (If equipped)
- 3) Check for any looseness of the yoke flange mounting bolts which connect to rear differential and center bearing bracket mounting bolts.

### 2. SPLINES AND BEARING LOCATIONS

- 1) Remove the center exhaust pipes.  
Non-turbo model  
<Ref. to EX(H4SO)-7, REMOVAL, Center Exhaust Pipe.>  
Turbo model  
<Ref. to EX(H4DOTC)-8, REMOVAL, Center Exhaust Pipe.>
- 2) Remove the rear exhaust pipe and muffler.  
Non-turbo model  
<Ref. to EX(H4SO)-8, REMOVAL, Rear Exhaust Pipe.>  
<Ref. to EX(H4SO)-9, REMOVAL, Muffler.>  
Turbo model  
<Ref. to EX(H4DOTC)-13, REMOVAL, Rear Exhaust Pipe.>  
<Ref. to EX(H4DOTC)-15, REMOVAL, Muffler.>
- 3) Remove the heat shield cover. (If equipped)

- 4) Turn the propeller shaft by hand to see if abnormal free play exists at splines. Also move the yokes to see if abnormal free play exists at spiders and bearings.

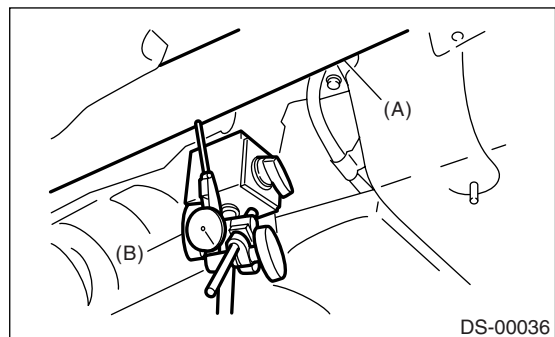


### 3. RUNOUT OF PROPELLER SHAFT

- 1) Remove the center exhaust pipes.  
Non-turbo model  
<Ref. to EX(H4SO)-7, REMOVAL, Center Exhaust Pipe.>  
Turbo model  
<Ref. to EX(H4DOTC)-8, REMOVAL, Center Exhaust Pipe.>
- 2) Remove the rear exhaust pipe and muffler.  
Non-turbo model  
<Ref. to EX(H4SO)-8, REMOVAL, Rear Exhaust Pipe.>  
<Ref. to EX(H4SO)-9, REMOVAL, Muffler.>  
Turbo model  
<Ref. to EX(H4DOTC)-13, REMOVAL, Rear Exhaust Pipe.>  
<Ref. to EX(H4DOTC)-15, REMOVAL, Muffler.>
- 3) Remove the heat shield cover. (If equipped)
- 4) Set the dial gauge with its indicator stem at center of propeller shaft tube.
- 5) Turn the propeller shaft slowly by hands to check for "runout" of propeller shaft.

#### Runout:

**Limit 0.6 mm (0.024 in)**



- (A) Propeller shaft  
(B) Dial gauge

# PROPELLER SHAFT

## DRIVE SHAFT SYSTEM

---

### 4. CENTER BEARING FREE PLAY

1) Remove the front and center exhaust pipes.

Non-turbo model

<Ref. to EX(H4SO)-4, REMOVAL, Front Exhaust Pipe.>

<Ref. to EX(H4SO)-7, REMOVAL, Center Exhaust Pipe.>

Turbo model

<Ref. to EX(H4DOTC)-6, REMOVAL, Front Exhaust Pipe.>

<Ref. to EX(H4DOTC)-8, REMOVAL, Center Exhaust Pipe.>

2) Remove the rear exhaust pipe and muffler.

Non-turbo model

<Ref. to EX(H4SO)-8, REMOVAL, Rear Exhaust Pipe.>

<Ref. to EX(H4SO)-9, REMOVAL, Muffler.>

Turbo model

<Ref. to EX(H4DOTC)-13, REMOVAL, Rear Exhaust Pipe.>

<Ref. to EX(H4DOTC)-15, REMOVAL, Muffler.>

3) Remove the heat shield cover. (If equipped)

4) Move the propeller shaft near center bearing up and down, and left and right with your hand to check for any abnormal bearing free play.

